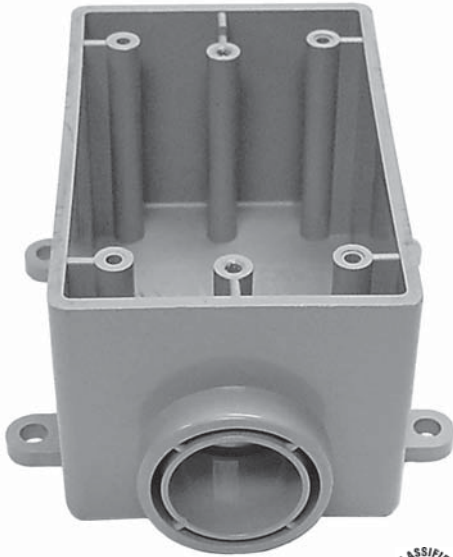
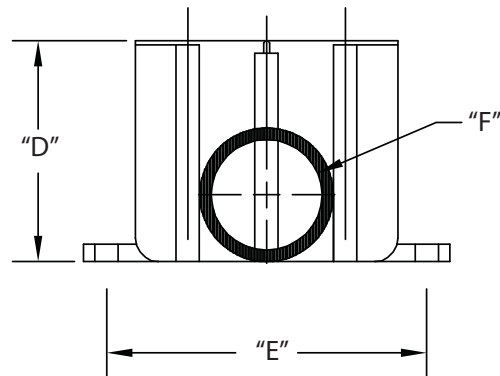
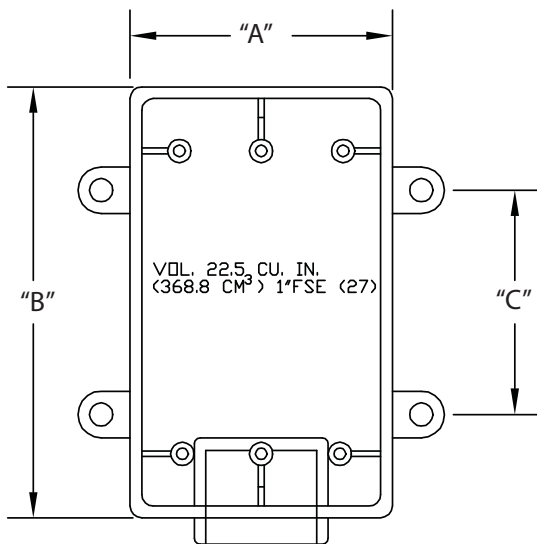


Type FSE Single Gang Box



Used for a conduit termination box and for single gang electrical devices. Uses single gang device covers

Single gang, surface mounted electrical box which has only one conduit entrance hub with no outlet hub.



Part Number	Trade Size	Carton Quantity	"A"	"B"	"C"	"D"	"E"	"F"
5133363	1/2	10	2.875	4.563	2.625	2.375	3.438	.875
5133364	3/4	10	2.875	4.563	2.625	2.375	3.438	1.063
5133365	1	10	2.875	4.563	2.625	2.375	3.438	1.313

Dimensions are nominal