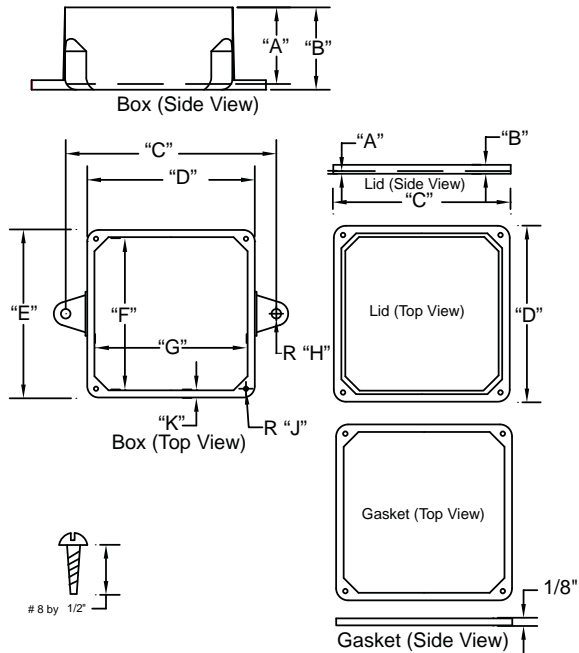


## Junction Box



Molded Junction Box



Fabricated Junction Box  
 Larger than 12 inch Square



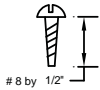
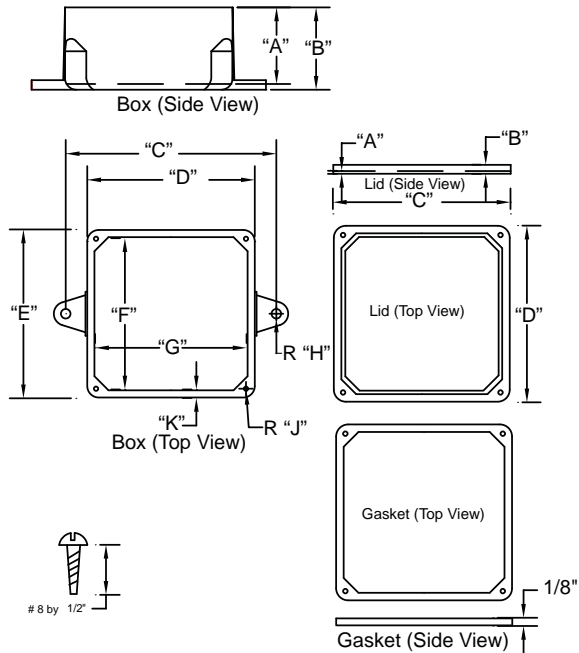
Part Number	Trade Size	Carton Qty.	Junction Box Base										Cover				Screws
			"A"	"B"	"C"	"D"	"E"	"F"	"G"	"H"	"J"	"K"	"A"	"B"	"C"	"D"	
5133705	4x4x2	10	2.000	2.150	5.375	4.400	4.400	4.000	4.000	.250	.125	.160	.240	.370	4.375	4.375	#8 x 1/2"
5133709	4x4x4	10	4.000	4.150	5.375	4.400	4.400	4.000	4.000	.250	.188	.160	.240	.700	4.375	4.375	#8 x 1/2"
5133707	4x4x6	10	6.000	6.150	5.375	4.400	4.400	4.000	4.000	.250	.188	.160	.240	.370	4.375	4.375	#8 x 1/2"
5133706	5x5x2	10	2.000	2.170	6.375	5.375	5.375	5.000	5.000	.250	.188	.170	.180	.267	5.375	5.375	#8 x 1/2"
5133710	6x6x4	10	4.000	4.200	7.375	6.438	6.438	6.000	6.000	.250	.188	.220	.180	.350	6.750	6.750	#8 x 1/2"
5133711	6x6x6	5	6.000	6.250	7.375	6.438	6.438	6.000	6.000	.250	.188	.220	.180	.350	6.750	6.750	#8 x 1/2"
5133712	8x8x4	5	4.000	4.250	9.375	8.625	8.625	8.000	8.000	.250	.188	.220	.180	.350	9.000	9.000	#10 x 3/4"
5133164	8x8x6	4	6.000	6.250	9.375	8.625	8.625	8.000	8.000	.250	.188	.220	.180	.350	9.000	9.000	#10 x 3/4"
5133708	8x8x7	4	7.000	7.250	9.375	8.625	8.625	8.000	8.000	.250	.188	.220	.180	.350	9.000	9.000	#10 x 3/4"
5133714	12x12x4	2	4.000	4.250	13.625	12.625	12.625	11.875	11.875	.250	.188	.220	.220	.437	13.000	13.000	#10 x 3/4"
5133713	12x12x6	2	6.000	6.250	13.750	12.625	12.625	11.875	11.875	.250	.188	.220	.220	.437	13.000	13.000	#10 x 3/4"
**5133163	16x14x6	1	--	--	--	--	--	--	--	--	--	--	--	--	--	--	--
•5133165	24x18x8	1	--	--	--	--	--	--	--	--	--	--	--	--	--	--	--
•5133161	24x18x12	1	--	--	--	--	--	--	--	--	--	--	--	--	--	--	--
•5133166	24x24x8	1	--	--	--	--	--	--	--	--	--	--	--	--	--	--	--
•5133173	36x24x8	1	--	--	--	--	--	--	--	--	--	--	--	--	--	--	--

Dimensions are nominal

\* Not UL Listed

\*\* UL Listed with only a Type 1 NEMA Rating

## Junction Box



Molded Junction Box



Fabricated Junction Box  
 Larger than 12 inch Square



Part Number	Trade Size	Carton Qty.	Junction Box Base										Cover				Screws
			"A"	"B"	"C"	"D"	"E"	"F"	"G"	"H"	"J"	"K"	"A"	"B"	"C"	"D"	
5133705	4x4x2	10	2.000	2.150	5.375	4.400	4.400	4.000	4.000	.250	.125	.160	.240	.370	4.375	4.375	#8 x 1/2"
5133709	4x4x4	10	4.000	4.150	5.375	4.400	4.400	4.000	4.000	.250	.188	.160	.240	.700	4.375	4.375	#8 x 1/2"
5133707	4x4x6	10	6.000	6.150	5.375	4.400	4.400	4.000	4.000	.250	.188	.160	.240	.370	4.375	4.375	#8 x 1/2"
5133706	5x5x2	10	2.000	2.170	6.375	5.375	5.375	5.000	5.000	.250	.188	.170	.180	.267	5.375	5.375	#8 x 1/2"
5133710	6x6x4	10	4.000	4.200	7.375	6.438	6.438	6.000	6.000	.250	.188	.220	.180	.350	6.750	6.750	#8 x 1/2"
5133711	6x6x6	5	6.000	6.250	7.375	6.438	6.438	6.000	6.000	.250	.188	.220	.180	.350	6.750	6.750	#8 x 1/2"
5133712	8x8x4	5	4.000	4.250	9.375	8.625	8.625	8.000	8.000	.250	.188	.220	.180	.350	9.000	9.000	#10 x 3/4"
5133164	8x8x6	4	6.000	6.250	9.375	8.625	8.625	8.000	8.000	.250	.188	.220	.180	.350	9.000	9.000	#10 x 3/4"
5133708	8x8x7	4	7.000	7.250	9.375	8.625	8.625	8.000	8.000	.250	.188	.220	.180	.350	9.000	9.000	#10 x 3/4"
5133714	12x12x4	2	4.000	4.250	13.625	12.625	12.625	11.875	11.875	.250	.188	.220	.220	.437	13.000	13.000	#10 x 3/4"
5133713	12x12x6	2	6.000	6.250	13.750	12.625	12.625	11.875	11.875	.250	.188	.220	.220	.437	13.000	13.000	#10 x 3/4"
**5133163	16x14x6	1	--	--	--	--	--	--	--	--	--	--	--	--	--	--	--
•5133165	24x18x8	1	--	--	--	--	--	--	--	--	--	--	--	--	--	--	--
•5133161	24x18x12	1	--	--	--	--	--	--	--	--	--	--	--	--	--	--	--
•5133166	24x24x8	1	--	--	--	--	--	--	--	--	--	--	--	--	--	--	--
•5133173	36x24x8	1	--	--	--	--	--	--	--	--	--	--	--	--	--	--	--

Dimensions are nominal

\* Not UL Listed

\*\* UL Listed with only a Type 1 NEMA Rating