

## Standard UL Terminal (Male) Adapter



1/2" thru 1-1/2"

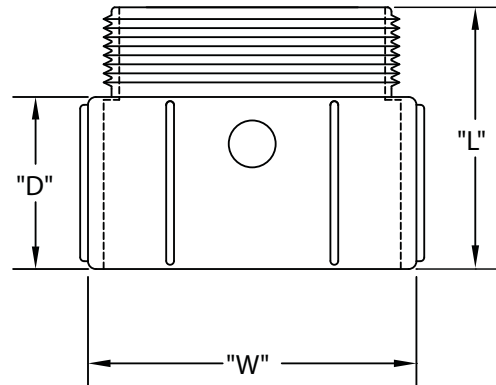
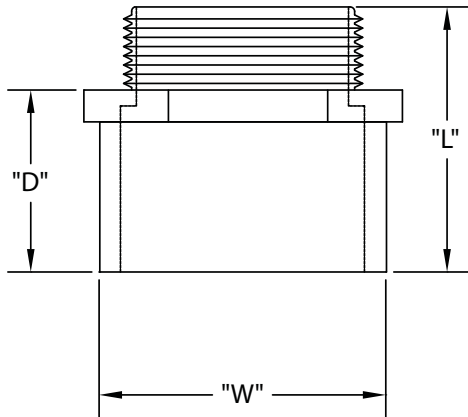


2" and Larger



A connector used to transition from plain end PVC conduit to a threaded metal or plastic female bell. Can also be used to connect PVC conduit to a box or other threaded body with use of a lock nut. The fitting consists of one solvent weld female end and one threaded male end. Both ends will fit the same diameter conduit.

UL Listed UL651  
 UL File #E81590  
 UL Category Code DWTT  
 UL Control Number 93G7  
 Meets Nema TC3 Requirements  
 CSA Certified  
 See NEC Article 352 for use  
 Material is Rigid PVC



### 1/2" thru 1-1/2" Terminal (Male) Adapter

Part Number	Trade Size	Carton Qty.	"W"	"L"	"D"
5140103	1/2	200	1.063	1.688	1.125
5140104	3/4	125	1.250	1.750	1.188
5140105	1	70	1.625	2.188	1.500
5140106	1-1/4	40	2.000	2.125	1.313
5140107	1-1/2	30	2.000	2.063	1.313

Dimensions are nominal

### 2" thru 6" Terminal (Male) Adapter

Part Number	Trade Size	Carton Qty.	"W"	"L"	"D"
5140108	2	40	2.688	2.188	1.375
5140109	2-1/2	20	3.313	2.875	2.000
5140110	3	40	3.938	3.000	2.188
5140111	3-1/2	30	4.500	3.188	2.563
5140112	4	20	5.000	3.438	2.563
5140113	5	10	6.250	4.750	3.000
5140114	6	8	7.313	4.938	2.688
5140115D	8	2	--	--	--

\* Not UL Listed

Dimensions are nominal

## Standard UL Terminal (Male) Adapter



1/2" thru 1-1/2"

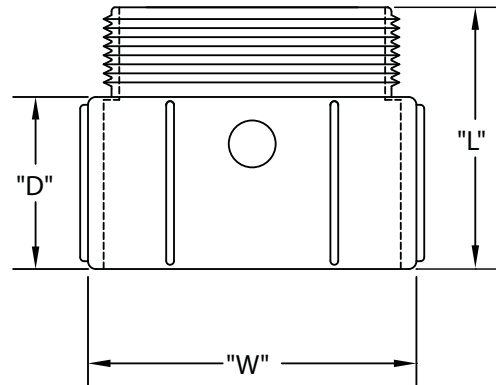
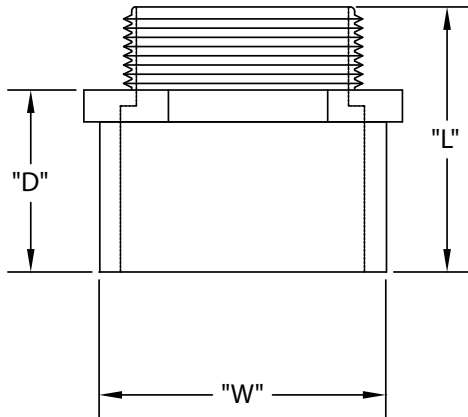


2" and Larger



A connector used to transition from plain end PVC conduit to a threaded metal or plastic female bell. Can also be used to connect PVC conduit to a box or other threaded body with use of a lock nut. The fitting consists of one solvent weld female end and one threaded male end. Both ends will fit the same diameter conduit.

UL Listed UL651  
 UL File #E81590  
 UL Category Code DWTT  
 UL Control Number 93G7  
 Meets Nema TC3 Requirements  
 CSA Certified  
 See NEC Article 352 for use  
 Material is Rigid PVC



### 1/2" thru 1-1/2" Terminal (Male) Adapter

Part Number	Trade Size	Carton Qty.	"W"	"L"	"D"
5140103	1/2	200	1.063	1.688	1.125
5140104	3/4	125	1.250	1.750	1.188
5140105	1	70	1.625	2.188	1.500
5140106	1-1/4	40	2.000	2.125	1.313
5140107	1-1/2	30	2.000	2.063	1.313

Dimensions are nominal

### 2" thru 6" Terminal (Male) Adapter

Part Number	Trade Size	Carton Qty.	"W"	"L"	"D"
5140108	2	40	2.688	2.188	1.375
5140109	2-1/2	20	3.313	2.875	2.000
5140110	3	40	3.938	3.000	2.188
5140111	3-1/2	30	4.500	3.188	2.563
5140112	4	20	5.000	3.438	2.563
5140113	5	10	6.250	4.750	3.000
5140114	6	8	7.313	4.938	2.688
5140115D	8	2	--	--	--

\* Not UL Listed

Dimensions are nominal