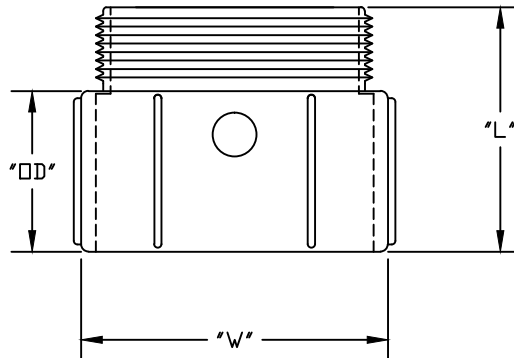
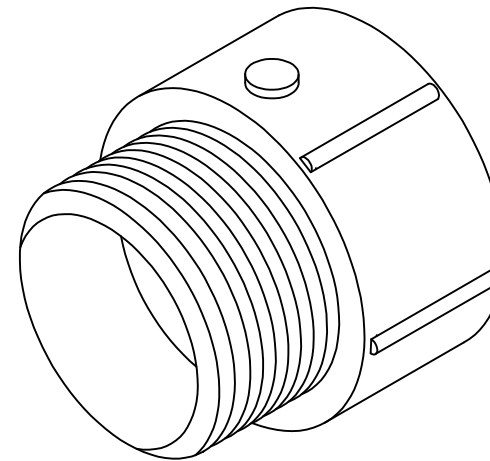


PART NUMBER	TRADE SIZE	"L"	"W"	"OD"
5140108	2	2 $\frac{3}{16}$ "	2 $\frac{1}{16}$ "	1 $\frac{3}{8}$ "
5140109	2 1/2	2 $\frac{7}{8}$ "	3 $\frac{5}{16}$ "	2"
5140110	3	3	3 $\frac{15}{16}$ "	2 $\frac{3}{16}$ "
5140111	3 1/2	3 $\frac{3}{16}$ "	4 $\frac{1}{2}$ "	2 $\frac{9}{16}$ "
5140112	4	3 $\frac{7}{16}$ "	5	2 $\frac{9}{16}$ "
5140113	5	4 $\frac{3}{4}$ "	6 $\frac{1}{4}$ "	3
5140114	6	4 $\frac{15}{16}$ "	7 $\frac{5}{16}$ "	2 $\frac{1}{16}$ "
*5140115D	8	N/A	N/A	N/A

* Not a listed product



UL Listed UL 651
 UL File # E81590
 UL Category Code DWTT
 UL Control Number 93G7
 Meets NEMA TC3 Requirements
 CSA Certified
 See NEC Article 352 for use
 Material is Rigid PVC



CANTEX
 INC.
 Fort Worth, TEXAS

**Terminal Adapters 2" & Larger
 Schedule 40 & 80 Fittings**

Drawn By: O.M.

Date: 5/15/17

Ref. 5140108