



ELLIOTT ELECTRIC SUPPLY

We Deliver...Lower Cost, Quality Products, & Personal Service

3804 South Street
75964-7263, TX Nacogdoches
Phone: 936-569-7941
Fax: 936-560-4685



521711234E 4SQ 2-1/8D BXW/1/2&3/4 Ko

Thomas&Betts-Abb Ins Prod

Catalog Number	521711234E
Manufacturer	Thomas&Betts-Abb Ins Prod
Description	Outlet Box, Pre-Galvanized, Silver, 30.3 Cu.In Capacity, Square, Knockout Cable Entry, 1/2 In;3/4 In Knockout Size, 13 Knockouts, Wall or Ceiling Mount, 1 Outlet, 4 In Length, 4 In Width, 2-1/8 In Height, 90 LB/100
Weight per unit	0.9000 (lbs/each)
Product Category	Outlet Boxes, Etc. - Steel

Features

Knockouts	Yes Yes/No
Material	Steel IN
number of outlet	1 PH

Dimensions and Weight

Size	4 Inches Height x 4 Inches Width x 2-1/8 Inches depth
------	---

Descriptions

Description	4SQ 2-1/8D BXW/1/2&3/4 KO
-------------	---------------------------

Manufacturer Information

Brand	SC Ind Box/Covr
GTIN	00785991167115
UPC	785991167115

Taxonomies, Classifications, and Categories

Category Description	STEEL BOXES & COVERS
Type	Outlet Boxes

Packaging

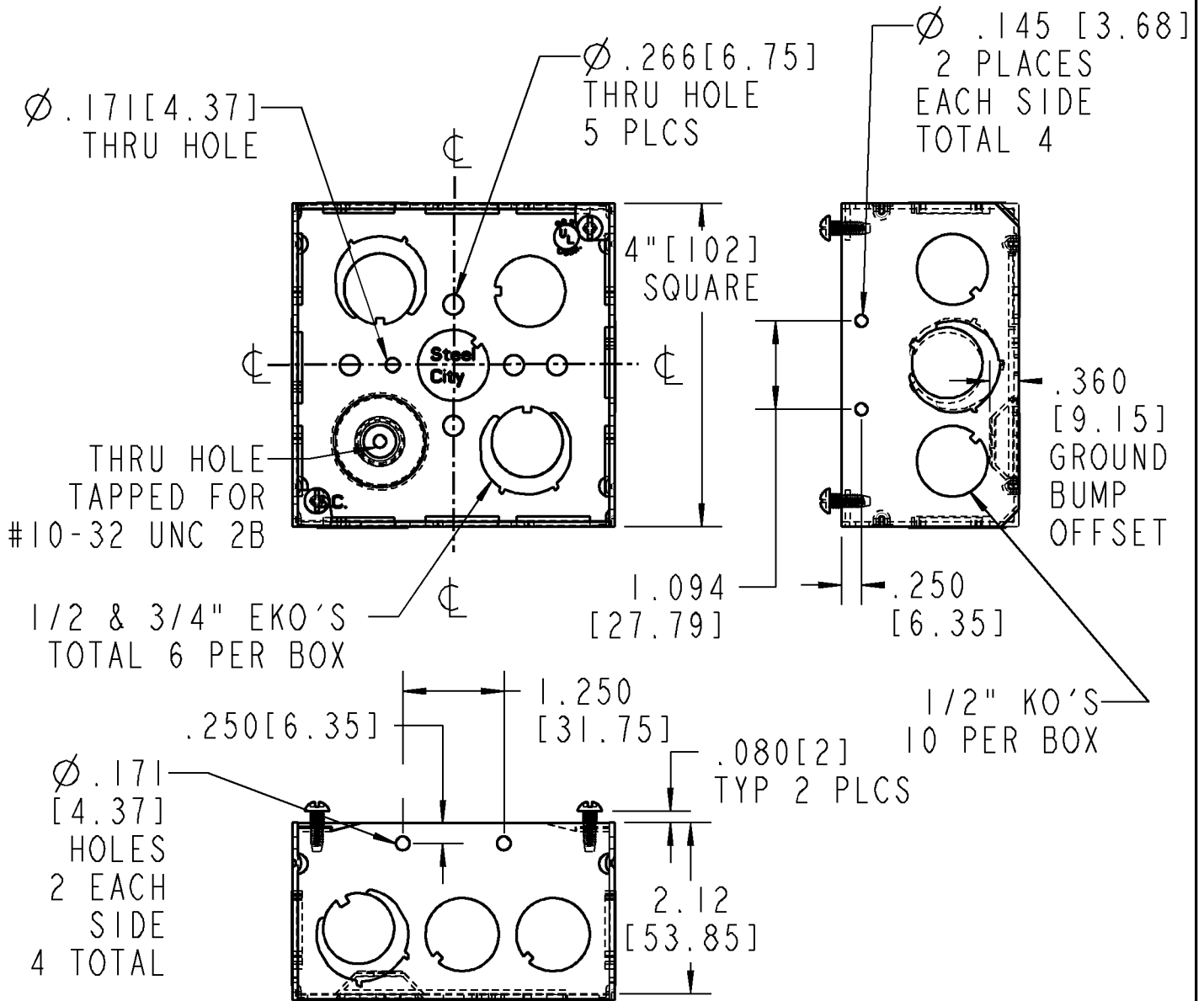
Carton	50
Weight Per each	0.9

Uses, Certifications, and Standards

standard	UL E2969
----------	----------



Steel City



NOTES:

- MATERIAL TO BE .063" [1.60] THICK HOT ROLLED C-1008 GALVANIZED STEEL PER G90-U.
- PUNCHED THRU HOLES FOR STUD OR BRACKET MOUNTINGS.

CATALOG NUMBER; 521711234E

GENERAL NOTES		Thomas & Betts <small>www.tnb.com</small>			
1. ALL DIMENSIONS ARE FOR REFERENCE ONLY. 2. DIMENSIONS IN BRACKETS [] ARE IN METRIC UNITS.					
REVISIONS		DESCRIPTION: WELDED 4" SQUARE 2-1/8" DEEP BOX WITH 1/2 & 3/4 EKO'S AND RAISED GROUND BUMP			
** SEE ERN (****) FOR APPROVAL SIGNATURES & RELEASE DATE. PROJECT NO: ****		ORIGINAL PROJECT NO / (ERN NO) NM400387 / (2012925)	SHEET NO: 1 OF 1	REV. NO: -	DRAWING NO: WSD-001023