

Schedule 80 Standard Radius 90° Elbow - Bell End



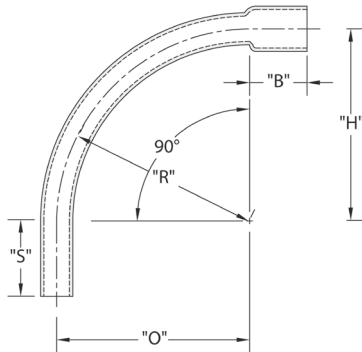
CANTEX 90-Degree Bell End Schedule 80 Standard Radius Elbows are used to change the direction of a conduit run by 90 degrees.

- Schedule 80 Extra Heavy Wall Nonmetallic PVC construction for strength and durability
- For indoor or outdoor use
- Suitable for aboveground or buried
- Bell end for easy installation
- ETL Listed
- Made in USA

Part Number	Trade Size	Carton Qty.	"R"	"O"	"H"	"S" MIN	"B" MIN	"L"
5221056	1-1/4	30	7.250	7.250	7.250	2.000	1.500	11.375
5221057	1-1/2	30	8.250	8.250	8.250	2.000	2.000	13.000
5221058	2	15	9.500	9.500	9.500	2.000	2.000	15.000
5221059	2-1/2	18	10.500	10.500	10.500	3.000	2.250	16.500
5221060	3	14	13.000	13.000	13.000	3.125	2.500	20.375
5221061	4	10	16.000	16.000	16.000	3.375	3.250	25.125
5221062	5	30*	24.000	24.000	24.000	3.625	4.250	37.625
5221117	6	25*	30.000	30.000	30.000	3.750	5.000	47.125

* Pallet Quantity

Dimensions are nominal



Conforms to UL651 and NEMA TC3

Material is Rigid PVC

Bend Tolerance is $\pm 2^\circ$

Schedule 80 Standard Radius 45° Elbow - Bell End



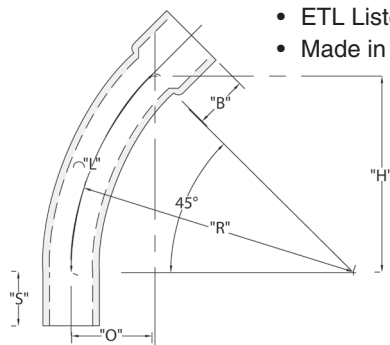
CANTEX 45-Degree Bell End Schedule 80 Standard Radius Elbows are used to change the direction of a conduit run by 45 degrees.

- Schedule 80 Extra Heavy Wall Nonmetallic PVC construction for strength and durability
- For indoor or outdoor use
- Suitable for aboveground or buried
- Bell end for easy installation
- ETL Listed
- Made in USA

Part Number	Trade Size	Carton Qty.	"R"	"O"	"H"	"S" MIN	"B" MIN	"L"
5221006	1-1/4	25	7.250	2.125	5.125	2.000	1.500	5.688
5221007	1-1/2	20	8.250	2.438	5.813	2.000	2.000	6.500
5221008	2	10	9.500	2.813	6.750	2.000	2.000	7.500
5221009	2-1/2	20	10.500	3.063	7.438	3.000	2.250	8.250
5221010	3	8	13.000	3.813	9.188	3.500	2.500	10.188
5221011	4	20	16.000	4.688	11.188	3.375	3.250	12.563
5221012	5	30*	24.000	7.000	17.000	3.625	4.250	18.875
5221013	6	25*	30.000	8.875	21.250	3.750	5.000	23.563

* Pallet Quantity

Dimensions are nominal



Conforms to UL651 and NEMA TC3

Material is Rigid PVC

Bend Tolerance is $\pm 2^\circ$

Schedule 80 Standard Radius 22-1/2° Elbow - Bell End



Part Number	Trade Size	Carton Qty.	"R"	"O"	"H"	"S" MIN	"B" MIN	"L"
5221052	2	10	9.500	.750	3.625	2.000	2.000	3.750
5236679	3	8	13.000	1.000	5.000	3.125	2.500	5.125
5221868	4	10	16.000	1.250	6.125	3.375	3.250	6.250
5221116	6	*25	30.000	2.250	11.500	3.750	5.000	11.750

* Pallet Quantity

Dimensions are nominal

Conforms to UL651 and NEMA TC3

Material is Rigid PVC

Bend Tolerance is $\pm 2^\circ$

CANTEX 22-1/2 -Degree Bell End Schedule 80 Standard Radius Elbows are used to change the direction of a conduit run by 22-1/2 degrees.

- Schedule 80 Extra Heavy Wall Nonmetallic PVC construction for strength and durability
- For indoor or outdoor use
- Suitable for aboveground or buried
- Bell end for easy installation
- ETL Listed
- Made in USA

