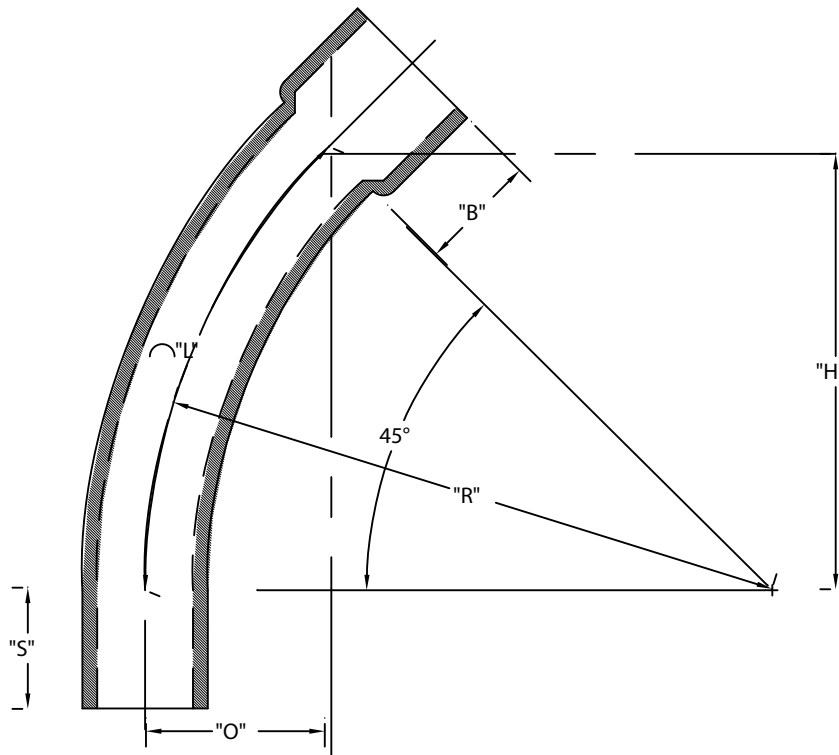


PART NUMBER	SIZE	"R"	"O"	"H"	"S" MIN	"B" MIN	"L"
5233811	1 1/2"	48"	14"	33 15/16"	2"	2"	37 11/16"
5133759	2"	48"	14"	33 15/16"	2"	2"	37 11/16"
5233785	2 1/2"	48"	14"	33 15/16"	3"	2 1/4"	37 11/16"
5233782	3"	48"	14"	33 15/16"	3 1/8"	2 1/2"	37 11/16"
5133761	4"	48"	14"	33 15/16"	3 3/8"	3 1/4"	37 11/16"
5233781	5"	48"	14"	33 15/16"	3 5/8"	4 1/4"	37 11/16"
5233813	6"	48"	14"	33 15/16"	3 3/4"	5"	37 11/16"
5233989	8"	48"	14"	33 15/16"	6 5/8"	5 1/2"	37 11/16"



ETL LISTED
 CONFORMS TO UL651
 ETL CONTROL #3107144
 CONFORMS TO NEMA TC3
 SEE NEC ARTICLE 352 FOR USE
 MATERIAL IS RIGID PVC
 BEND TOLERANCE IS ±2°
 "B" TOLERANCE IS -1/8", +1/2"



CANTEX
 INC.
 Fort Worth, TEXAS

45° Elbows Bell End
 Schedule 40 48" Radius Elbows

Drawn By: CD Branch

Date: 10/15/07

Ref.