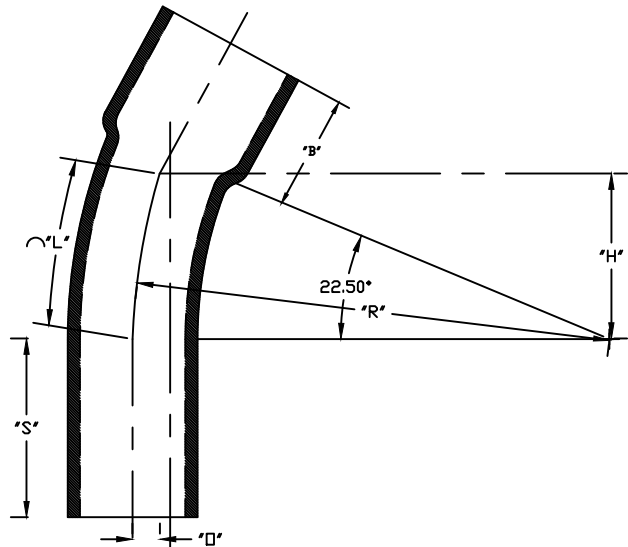


PART NUMBER	SIZE	"R"	"□"	"H"	"S" MIN	"B" MIN	"L"
XXXXXXX	½"	4"	⅝"	1 ½"	1 ½"	1¼"	1 ⅞"
5234097	¾"	4 ½"	¾"	1 ¾"	1 ½"	¾"	1 ¾"
5236402	1"	5 ¾"	⅝"	2 ⅜"	1 ⅞"	⅞"	2 ¼"
5236403	1 ¼"	7 ¼"	⅞"	2 ¾"	2"	1"	2 ⅞"
5234094	1 ½"	8 ¼"	⅝"	3 ⅛"	2"	1 ⅛"	3 ¼"
5234067	2"	9 ½"	¾"	3 ⅝"	2"	1 ⅛"	3 ¾"
5234096	2 ½"	10 ½"	1⅜"	4"	3"	1 ½"	4 ⅛"
5234068	3"	13"	1"	5"	3 ⅛"	1 ⅝"	5 ⅛"
5234095	3 ½"	15"	1 ⅛"	5 ¾"	3 ¼"	1 1¼"	5 ⅞"
5233867	4"	16"	1 ¼"	6 ⅛"	3 ⅜"	1 ¾"	6 ¼"
5234037	5"	24"	1 13/16"	9 ¾"	3 ⅝"	2"	9 ⅜"
5233901	6"	30"	2 ¼"	11 ½"	3 ¾"	2 ⅛"	11 ¾"
5233994D	8"	48"	3 1¼"	18 ⅜"	6 ⅝"	4 ⅞"	18 ⅞"



 2" & greater are CSA Listed.

  
Intertek

ETL LISTED  
 CONFORMS TO UL651  
 ETL CONTROL #3107144  
 CONFORMS TO NEMA TC3  
 SEE NEC ARTICLE 352 FOR USE  
 MATERIAL IS RIGID PVC  
 BEND TOLERANCE IS ±2°

<b>CANTEX</b> INC. Fort Worth, TEXAS		
22-1/2° Elbows Bell End Schedule 40 Standard Radius Elbows		
Drawn By: CD Branch	Date: 4/30/26	Ref.