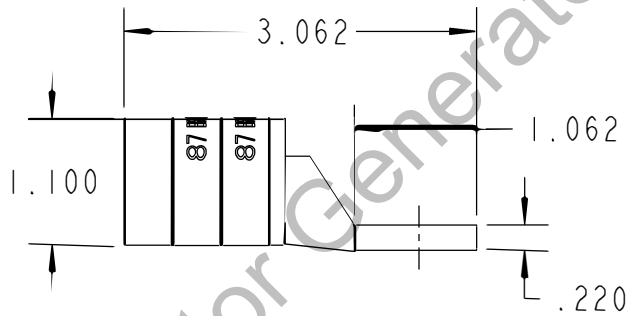
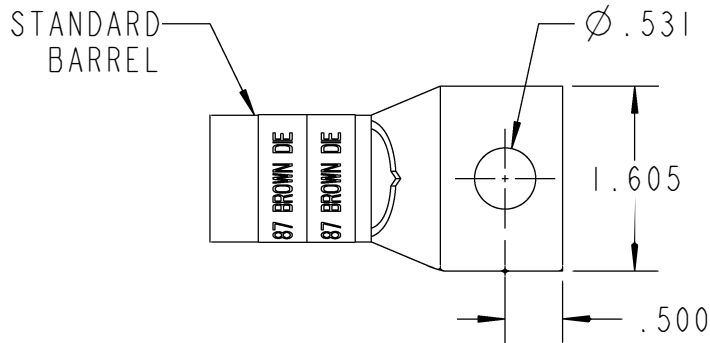
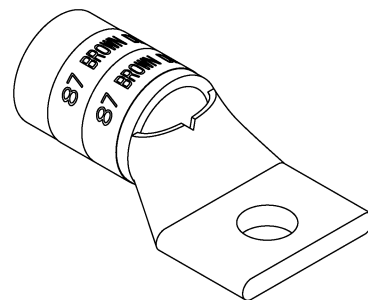


# Color-Keyed™

CATALOG NO. 54118



Configurator Generated



WIRE SIZE: 350 WELD, 400 WELD, 500 MCM  
 MATERIAL: HIGH CONDUCTIVITY COPPER  
 FINISH: TIN PLATED

<b>GENERAL NOTES</b>		<b>Thomas &amp; Betts</b> <small>www.tnb.com</small>			
1. ALL DIMENSIONS ARE FOR REFERENCE ONLY. 2. DIMENSIONS IN BRACKETS [ ] ARE IN METRIC UNITS.					
<b>REVISIONS</b>		<b>1 HOLE LUG</b>			
** SEE ERN ( **** ) FOR APPROVAL SIGNATURES & RELEASE DATE. PROJECT NO: ****		ORIGINAL PROJECT NO / ( ERN NO )	SHEET NO:	REV. NO:	DRAWING NO: WSD-001983
		/ ( )	1 OF 1	0	<b>54118</b>