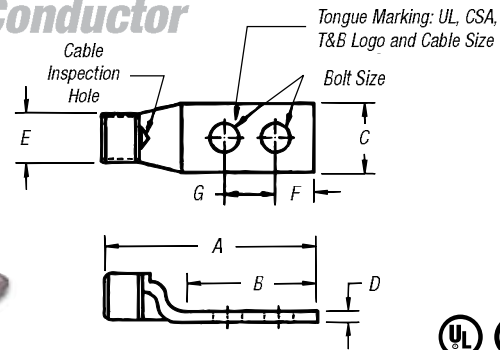


Compression Connectors for Copper Conductor

Two-Hole Lugs — Standard Barrel 600V to 35kV

Material: High-Conductivity Wrought Copper
Finish: Electro Tin Plate



CAT. NO.	WIRE SIZE			DIMENSIONS (IN.)							DIE CODE	DIE COLOR
	CODE	FLEX CLASS G, H, I, K, M†	BOLT SIZE	A	B	C	D	E	F	G		
54201			¼	1.86	1.19	.50	.05	.20	¼	¾	ERG4002,	"C" NEST
256-30695-1302	#14-10 AWG		¾	2.48	1.81	.56	.04	.22	¾	1	ERG4005	
54204			#10	1.88	1.18	.42	.08	.26	¼	¾	21	RED
256-31426-33*			#10	1.88	1.18	.41	.06	.26	½	¾-¾	21	
256-31426-33PH	8 AWG	23 Navy	#10	1.88	1.18	.41	.06	.26	½	¾-¾	21	
542040410	#7 LS	#8 Weld	¼	2.01	1.31	.42	.08	.26	¼	¾	21	
542040416		37/24 = 14.9 kcmil	¼	2.38	1.68	.42	.08	.26	¼	1	21	
256-30695-1094			¼	2.50	1.81	.56	.05	.26	¼	¾	21	
256-30695-251			¾	2.50	1.81	.56	.05	.26	¾	1	21	BLUE
256-30695-1070			#12	1.81	1.19	.44	.11	.30	¼	½-¾	24	
256-30695-1153			#10	1.98	1.28	.44	.08	.30	¼	½	24	
256-30695-1183		30 Navy	#10	1.98	1.19	.44	.08	.30	½	¾-¾	24	
54205		#6 Weld	¼	1.98	1.28	.44	.08	.30	¼	¾	24	
256-30695-1095	#6 AWG	61/24 = 24.6 kcmil	¼	2.13	1.31	.43	.08	.30	¼	¾	24	
256-30695-252		133/.014	¼	2.38	1.63	.43	.08	.30	¼	1	24	GRAY
256-30695-372		#5 Weld	¼	2.13	1.43	.43	.08	.30	¼	¾	24	
256-30695-913			¼	2.38	1.75	.43	.08	.30	¼	1	24	
256-30695-253			¾	2.58	1.81	.55	.08	.30	¾	1	24	
54206		40-50 Navy, #4 Weld	¼	2.03	1.28	.52	.10	.37	¼	¾	29	
256-30695-1184	#4 AWG	#5, 91/24 = 36.7 kcmil	¾	2.31	1.63	.52	.10	.37	¾	1	29	
256-30695-255		133/.0177, 49/.029	¾	2.56	1.81	.59	.09	.37	¾	1	29	BROWN
54207			¼	2.13	1.28	.59	.11	.41	¼	¾	33	
256-30695-1355	#3 AWG	#3 Flex	¼	2.15	1.31	.59	.13	.41	¼	¾	33	
256-30695-1185	#2 AWG	60 Navy	¼	2.38	1.53	.59	.11	.41	¼	1	33	
256-30695-257		125/24 = 50.4 kcmil	¾	2.67	1.81	.60	.1	.41	¾	1	33	
256-30695-1049			½	3.75	2.88	.75	.09	.41	¾	1¼	33	
54208		75 Navy, #2 Weld	¼	2.13	1.28	.68	.11	.47	¼	¾	37	GREEN
256-30695-1233	#1 AWG	150/24 = 60.5 kcmil	¾	2.69	1.62	.69	.13	.47	½	1	37	
256-30695-1236		175/24 = 70.6 kcmil, 133/.0223	¾	2.75	1.81	.68	.11	.47	¾	1	37	PINK
256-30695-329			¼	2.75	1.81	.75	.14	.52	¾	¾	42	
54255		100 Navy	¾	2.56	1.56	.75	.14	.52	¾	¾	42	
256-30695-1234	1/0 AWG	#1 Weld	¾	2.75	1.78	.75	.14	.52	¾	1	42	
54209		225/24 = 90.8 kcmil	¾	2.88	1.93	.75	.13	.52	¾	1	42	
256-30695-1265		133/.0254	¾	3.50	2.57	.75	.14	.52	¾	1¼	42	
256-30695-886			½	3.78	2.83	.75	.13	.52	½	1¼	42	BLACK
256-30695-1175		125 Navy	¼	2.45	1.44	.83	.14	.57	¼	¾	45	
54261		1/0 Weld	¾	2.70	1.63	.83	.14	.57	½	¾	45	
256-30695-832	2/0 AWG	275/24 = 111 kcmil	¾	2.88	1.81	.81	.14	.57	¾	1	45	
54210		133/.0282	¾	2.93	1.93	.83	.13	.57	¾	1	45	
54260			½	3.83	2.81	.83	.14	.57	¾	1¼	45	
54266		150 Navy, 2/0 Weld	¾	2.88	1.75	.94	.14	.63	¾	1	50	ORANGE
54211	3/0 AWG	325/24 = 131 kcmil	¾	2.94	1.81	.94	.14	.63	¾	1	50	
54265		133/.0316, 259/.0227, 427/.0177	½	3.94	2.81	.94	.14	.63	½	1¼	50	

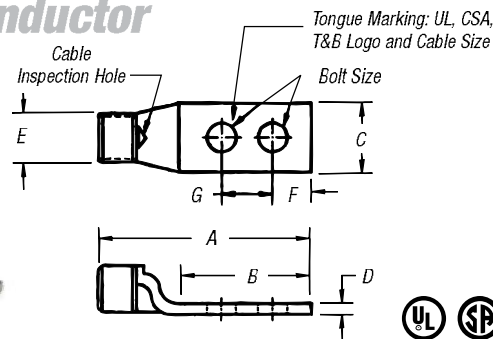
† Contact Technical Services for specific stranding listings

Tooling: pp. F-80-F-100 Die Selector Chart: pp. F-101-F-104 * Blind End

Compression Connectors for Copper Conductor

Two-Hole Lugs — Standard Barrel 600V to 35kV (continued)

Material: High-Conductivity Wrought Copper
Finish: Electro Tin Plate



CAT. NO.	CODE	WIRE SIZE		BOLT SIZE	DIMENSIONS (IN.)							DIE CODE	DIE COLOR
		FLEX CLASS	G, H, I, K, M†		A	B	C	D	E	F	G		
54212			200 Navy	3/8	3.18	1.93	1.03	.14	.70	3/8	1	54	PURPLE
54270			3/0 Weld	1/2	4.25	3.00	1.03	.14	.70	1/2	1 1/4	54	
256-30695-1247	4/0 AWG		450/24 = 182 kcmil	1/4	3.06	1.44	1.03	.16	.70	3/8	3/4	54	
256-30695-331			703/.0154	1/4	3.06	1.81	1.03	.14	.70	3/8	3/4	54	
256-30695-1261				3/16	3.18	1.93	1.03	.14	.70	3/8	1	54	YELLOW
54213	250 kcmil		250 Navy	3/8	3.28	1.93	1.13	.14	.77	3/8	1	62	
54275				1/2	4.19	2.81	1.13	.18	.77	1/2	1 1/4	62	
256-30695-345			4/0 Weld	3/8	3.25	1.69	1.25	.15	.79	3/8	7/8	62	
256-30695-835			550/24 = 222 kcmil	3/8	4.25	2.80	1.25	.15	.79	3/8	1	62	WHITE
256-30695-452			133/.0399	3/8	3.13	1.88	1.25	.16	.79	3/8	7/8	62	
58265			259/.0286, 637/.018	1/2	3.94	2.81	.94	.14	.79	1/2	1 1/4	62	
54214	300 kcmil		300 Navy	3/8	3.45	1.93	1.25	.15	.85	3/8	1	66	
54280			262, 650/24, 250 Weld	1/2	4.45	3.00	1.25	.15	.85	1/2	1 1/4	66	RED
256-30695-332				1/4	3.40	1.81	1.36	.18	.93	3/8	3/4	71	
256-30695-1240	350 kcmil		350 Navy	3/16	4.18	2.63	1.36	.18	.93	3/8	1 1/4	71	
54215				3/8	3.51	1.93	1.36	.18	.93	3/8	1	71	
54282				1/2	4.60	3.00	1.36	.18	.93	1/2	1 1/4	71	BLUE
54216	400 kcmil		400 Navy	3/8	3.93	1.93	1.41	.17	.96	3/8	1	76	
54283			313, 775/24, 300 Weld	3/8	3.88	1.93	1.41	.17	.96	3/8	1 1/16	76	
256-30695-439			400 Weld	3/8	4.35	2.25	1.61	.22	1.04	3/8	1	80	
58277			925/24 = 373 kcmil	1/2	5.06	3.00	1.61	.22	1.04	1/2	1 1/4	80	N/A
256-30695-839			259/.0393, 427/.0306	3/8	4.09	2.06	1.61	.22	1.04	1/2	1	80	
54218				3/8	3.96	1.93	1.61	.22	1.10	3/8	1	87	
54286	500 kcmil		500 Navy	1/2	5.07	3.00	1.61	.22	1.10	1/2	1 1/4	87	
256-30695-188				1/2	4.06	2.31	1.63	.22	1.10	1/2	1 1/4	87	BROWN
54220	600 kcmil		450 Flex I, K	3/8	4.13	1.93	1.75	.24	1.20	3/8	1	94	
54289			1100/24 = 444 kcmil	1/2	5.23	3.00	1.75	.24	1.20	1/2	1 1/4	94	
256-30695-1406				3/8	4.05	2.11	1.78	.24	1.25	1/2	1	99	
256-30695-842	700 kcmil			3/8	4.30	2.06	1.80	.28	1.25	1/2	1	99	PINK
256-30695-898				3/8	4.30	2.06	1.80	.28	1.25	1/2	1	99	
54291				1/2	5.18	3.00	1.84	.23	1.25	1/2	1 1/4	99	
58281			500 Flex, 535, 1325/24	1/2	5.23	3.00	1.80	.28	1.25	1/2	1 1/4	99	
256-30695-237	750 kcmil		600, 427 Str.	3/8	5.10	2.80	1.94	.27	1.33	3/8	1	106	BLACK
54223				1/2	5.32	3.00	1.94	.27	1.33	1/2	1 1/4	106	
256-30695-1376	800 kcmil		800 Navy	3/8	4.78	2.28	2.01	.27	1.38	7/16	1 1/8	107	
54224				1/2	5.50	3.00	2.01	.27	1.38	1/2	1 1/4	107	
256-30695-694				3/8	4.65	2.06	2.18	.31	1.50	1/2	1	115	ORANGE
54226	900 kcmil		1925/24 = 777 kcmil	1/2	5.59	3.00	2.18	.31	1.50	1/2	1 1/4	115	
256-30695-846				3/8	4.60	2.06	2.12	.31	1.50	1/2	1	115	
256-30695-844				3/8	5.00	2.63	2.18	.31	1.50	3/16	1 1/2	115	
54228	1000 kcmil		1000 Navy	1/2	5.45	3.00	2.27	.30	1.55	1/2	1 1/4	125	N/A

† Contact Technical Services for specific stranding listings

Tooling: pp. F-80-F-100 Die Selector Chart: pp. F-101-F-104

Overview

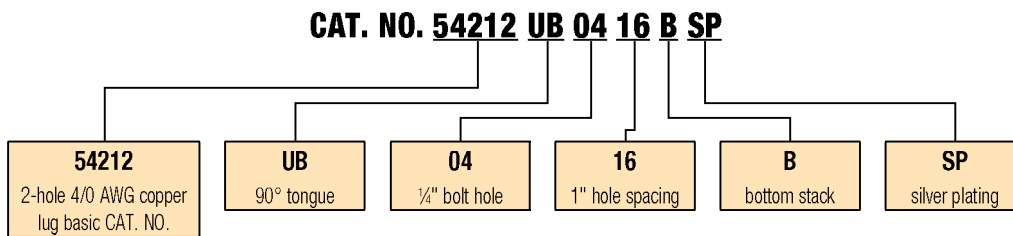
Order Form

Catalog No. _____ Qty. _____
 (For 54100, 54200, 54800 & 54900 Series Copper Lugs Only)

Design Controls and Requirements

All "MADE-UP" catalog numbers start with a standard or basic catalog number and are followed by the customer-required extra features: tongue shape, bolt hole size, distance between bolt holes, stacking, plating and inspection hole (peep hole). A code letter or a number has been assigned to each extra feature. See CODE TABLE.

- Notes:** 1) Lack of any of the extra features on the "MADE-UP" catalog number means that the standard Cat. No. features are prevalent.
 2) If either bolt hole size or distance between bolt holes needs to be changed from standard Cat. No., both code numbers will appear on the "MADE-UP" Cat. No. (See example below)



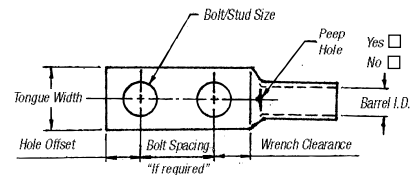
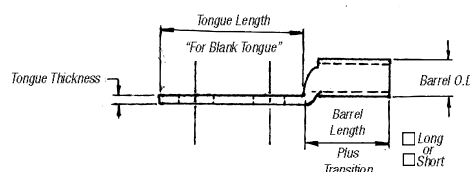
Code Table

TONGUE SHAPE		BOLT HOLES		BOLT HOLE CENTERS		STACKING		FINISH (PLATING)		INSPECTION HOLE (LONG BARREL)		INSPECTION HOLE (SHORT BARREL)		
TYPE	CODE	SIZE	.020	CODE	DISTANCE .015	CODE	TYPE	CODE	TYPE 1	CODE	I.D.	CODE	I.D.	CODE
15°	UI	#8	.173	02	1/2"	08	Top	T**	Silver Plate	SP	Peep Hole	PH	Blind End	BE
30°	UT	#10	.204	03	5/8"	10	Bottom	B	Lead Plate	LP				
45°	UF	1/4"	.281	04	3/4"	12			Nickel Plate	NP				
60°	US	5/16"	.344	05	1/2"	14			Plain Finish	PF				
90°	UB	3/8"	.406	06	1"	16			No Marking	NM				
Blank	BT	1/2"	.531	08	1 1/8"	18			Not QTP if					
(No Bolt Hole)		5/8"	.656	10	1 1/4"	20			suffix other					
		3/4"	.812	12	1 3/8"	22			than - PF or					
		7/8"	.937	14	1 1/2"	24			standard					
		1"	1.062	16	1 5/8"	26			tin plate					
					1 3/4"	28								
					1 7/8"	30								
					2"	32								

* These bolt centers not available for bolt holes larger than 3/8".

** Not required for 45° & 90° top stacking.

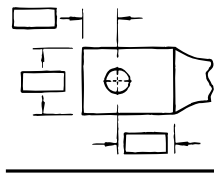
Cable	Code	Weld
<input type="checkbox"/> #8	<input type="checkbox"/> #6	<input type="checkbox"/> #4
<input type="checkbox"/> #2	<input type="checkbox"/> #1	<input type="checkbox"/> 1/0
<input type="checkbox"/> 2/0	<input type="checkbox"/> 3/0	<input type="checkbox"/> 4/0
<input type="checkbox"/> 250 kcmil & up (Code Only)		



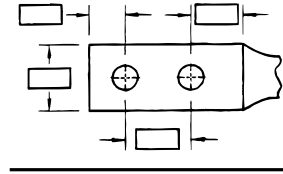
Overview

Tongue Specifications — See Chart "A" For Dimensions

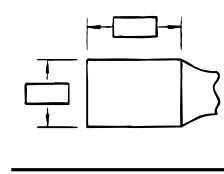
Stud Sizes		
<input type="checkbox"/> #8	<input type="checkbox"/> #10	<input type="checkbox"/> ¼"
<input type="checkbox"/> ⅜"	<input type="checkbox"/> ⅝"	<input type="checkbox"/> ½"
<input type="checkbox"/> ⅞"	<input type="checkbox"/> ¾"	<input type="checkbox"/> ⅝"
<input type="checkbox"/> 1"		



Single Hole



Double Hole



Blank

Chart A

NOMINAL BOLT HOLE SIZE .015	HOLE OFFSET .030	WRENCH CLEARANCE MIN.	TONGUE WIDTH CABLE SIZE										
			#8 CODE #8 WELD	#6 CODE #6 WELD	#4 CODE #4 WELD	#2 CODE #2 WELD	#1 CODE #1 WELD	1/0 CODE 1/0 WELD	2/0 CODE 2/0 WELD	3/0 CODE 3/0 WELD	4/0 CODE 3/0 WELD	250 CODE	
#8	.173	.200	.240	.406	.437	.562	.593	.672	.750	.825	.937	1.030	1.125
#10	.204	.218	.250	.406	.437	.562	.593	.672	.750	.825	.937	1.030	1.125
¼"	.281	.250	.312	.469	.500	.562	.593	.672	.750	.825	.937	1.030	1.125
⅜"	.344	.375	.406	.562	.562	.562	.675	.672	.750	.825	.937	1.030	1.125
⅝"	.406	.375	.440	.578	.578	.594	.675	.672	.750	.825	.937	1.030	1.125
½"	.531	.500	.562	—	—	—	.750	.750	.750	.825	.937	1.030	1.125
⅞"	.656	.625	.875	—	—	—	—	—	—	—	.937	1.030	1.125
¾"	.812	.750	.770	—	—	—	—	—	—	—	—	—	—
⅞*	.937	.875	.890	—	—	—	—	—	—	—	—	—	—
1*	1.062	.937	1.000	—	—	—	—	—	—	—	—	—	—

* These bolt holes available in one-hole lug only.

Chart B

CABLE SIZE	TONGUE THICKNESS	STRAIGHT LUG BARREL LENGTH PLUS TRANSITION		BARREL		DIM "X" STACKED LUGS			DIM "Y"		DIM "H"	
		SHORT	LONG	O.D.	I.D.	STRAIGHT	45°	90°	SHORT	LONG	SHORT	LONG
		#8	.080	.635	.935	.260	.180	.158	.478	.394	.595	.808
#6	.081	.675	.975	.296	.215	.134	.544	.432	.587	.799	.767	1.067
#4	.099	.685	.985	.365	.266	.175	.622	.502	.637	.849	.838	1.138
#2	.108	.815	1.115	.410	.302	.216	.649	.535	.711	.923	.958	1.258
#1	.106	.825	1.275	.467	.361	.212	.731	.592	.710	1.028	.956	1.406
1/0	.125	.975	1.325	.520	.396	.250	.789	.646	.794	1.042	1.075	1.425
2/0	.125	.965	1.315	.571	.446	.250	.859	.696	.829	1.077	1.125	1.475
3/0	.125	1.085	1.435	.632	.507	.250	.946	.757	.900	1.148	1.225	1.575
4/0	.137	1.255	1.705	.701	.564	.274	1.031	.826	1.015	1.333	1.387	1.837
250	.137	1.375	1.925	.766	.629	.274	1.123	.891	1.085	1.474	1.487	2.037
300	.153	1.900	2.675	.850	.660	.459	1.226	.975	1.180	1.726	1.924	2.679
350	.177	2.090	2.896	.926	.720	.531	1.333	1.103	1.267	1.830	2.096	2.896
400	.173	2.460	2.980	.960	.757	.519	1.370	1.085	1.551	1.913	2.484	2.984
500	.218	2.670	3.610	1.100	.852	.654	1.514	1.225	1.629	2.266	2.669	3.619
600	.244	2.900	3.490	1.200	.926	.732	1.630	1.325	1.762	2.147	2.897	3.497
700	.228	2.784	—	1.255	.997	.684	1.662	1.375	1.780	—	3.011	—
750	.270	3.050	3.925	1.330	1.030	.810	1.745	1.455	1.827	2.434	3.050	3.925
800	.266	3.213	—	1.375	1.079	.800	1.728	1.625	1.952	2.787	3.213	4.554
900	.313	3.450	4.550	1.500	1.145	.940	1.900	1.650	2.065	—	1.387	—
1,000	.297	3.356	4.500	1.550	1.203	.890	2.070	1.675	2.031	2.787	1.487	4.506

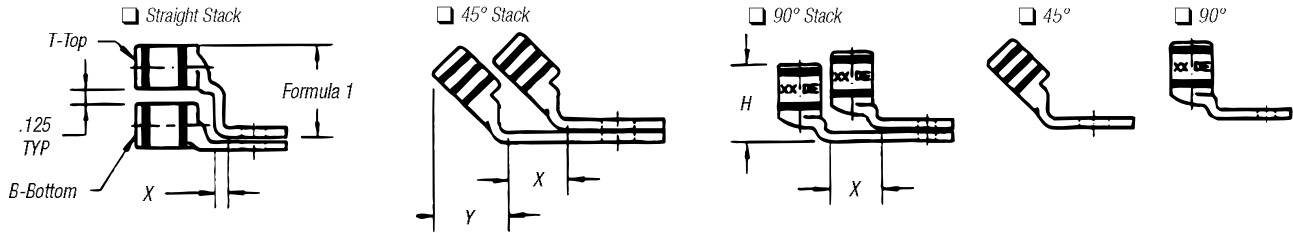
Note: Stacking lugs are available for one bolt only.

Consult Factory: Straight: 700 kcmil & up.

45°: 400 kcmil & up

90°: 500 kcmil & up

Overview



Formula 1 = (.125 + 2 (OD) + .037 – Tongue Thickness)

Chart C

BOLT HOLE SIZE	TONGUE WIDTH .030 CODE CABLE SIZE										
	300 KCMIL 4/0 WELD	350 KCMIL	400 KCMIL	500 KCMIL 400 WELD	600 KCMIL 500 WELD	1325/24	700 KCMIL	750 KCMIL	800 KCMIL	900 KCMIL	1000 KCMIL
#8	—	—	—	—	—	—	—	—	—	—	—
#10	—	—	—	—	—	—	—	—	—	—	—
¼	1.250	1.355	1.410	1.605	1.745	1.805	1.840	1.935	2.010	2.180	2.265
⅓	1.250	1.355	1.410	1.605	1.745	1.805	1.840	1.935	2.010	2.180	2.265
⅕	1.250	1.355	1.410	1.605	1.745	1.805	1.840	1.935	2.010	2.180	2.265
½	1.250	1.355	1.410	1.605	1.745	1.805	1.840	1.935	2.010	2.180	2.265
⅔	1.250	1.355	1.410	1.605	1.745	1.805	1.840	1.935	2.010	2.180	2.265
¾	1.250	1.355	1.410	1.605	1.745	1.805	1.840	1.935	2.010	2.180	2.265
⅞*	—	—	—	1.605	1.745	1.805	1.840	1.935	2.010	2.180	2.265
1*	—	—	—	—	1.745	1.805	1.840	1.935	2.010	2.180	2.265

* These bolt holes available in one-hole lug only.