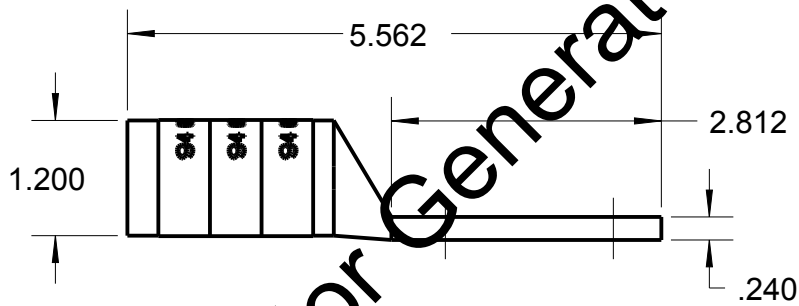
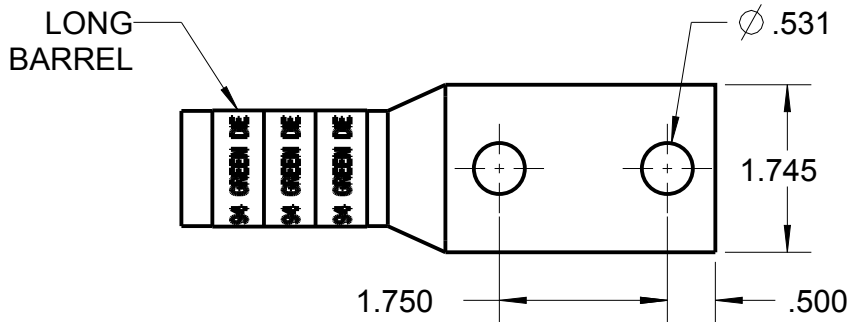


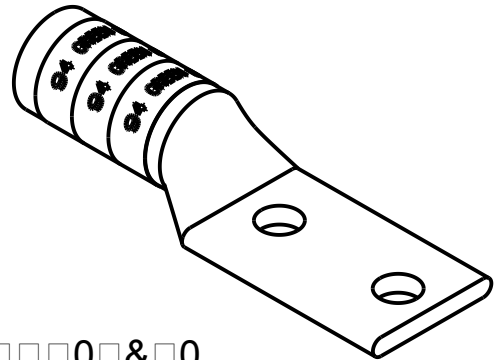
# Blackburn Compression

Featuring the Color-Keyed® System

CATALOG NO. 54878BE



Configurator Generated



WIRE SIZE:  (  /   600  0 &  0

MATERIAL: HIGH CONDUCTIVITY COPPER

FINISH: TIN PLATED

GENERAL NOTES		<b>Thomas &amp; Betts</b> <small>www.tnb.com</small>			
1. ALL DIMENSIONS ARE FOR REFERENCE ONLY. 2. DIMENSIONS IN BRACKETS [ ] ARE IN METRIC UNITS.					
REVISIONS		DESCRIPTION: <b>2 HOLE LUG</b>			
** SEE ERN (****) FOR APPROVAL SIGNATURES & RELEASE DATE. PROJECT NO: ****					
ORIGINAL PROJECT NO / ( ERN NO )	SHEET NO:	REV. NO:	DRAWING NO: WSD-002155		
/ ( )	1 OF 1	<input type="checkbox"/> <input type="checkbox"/>	<b>54878BE</b>		