



ELLIOTT ELECTRIC SUPPLY

We Deliver...Lower Cost, Quality Products, & Personal Service

3804 South Street
75964-7263, TX Nacogdoches
Phone: 936-569-7941
Fax: 936-560-4685



600T 600 MCM Mech Lug

Nsi Industries

Catalog Number	600T
Manufacturer	Nsi Industries
Description	Mechanical Connector, #2 Awg Conductor Size, 600 MCM Conductor Size, Non-Insulated, Aluminum Conductor Material, 1 Conductor, +90 °C Operating Temperature, 3.18 In Overall Length, Screw Terminal, 600 V, 0.36 LB/Ea
Weight per unit	0.3600 (lbs/each)
Product Category	Large Terminals & Connectors

Features

Bolt Size	3/8 IN
Material	ALUMINUM
Number of Conductors	1 in
Number of Mounting Holes	1 in
Number of Ports	1 in
Poles	1 IN
Voltage Rating	600 VAC

Material, Color, and Finish

Color	SILVER
Finish	ALUMINUM

Descriptions

Description	600 MCM MECH LUG
-------------	------------------

Manufacturer Information

GTIN	00662381001108
UPC	662381001108

Taxonomies, Classifications, and Categories

Category Description	SPLIT BOLTS
Type	Aluminum Single Lug

Packaging

Carton	1
Package	6
Weight Per each	0.36

Uses, Certifications, and Standards

Application	Wire Termination
environmental conditions	90 WTT
standard	cULus
Temperature Rating	90 WTT

NSI PART #	FIG #	WIRE RANGE AL/CU	HEX SIZE	L	H	W	A	B	C	ØD	MAX TIGHTENING TORQUE IN/LBS
6T	1	#6 - 14	SLOT	1.06	.50	.50	.25	.69	.10	1/4	45
2T	1	#2 - 14	SLOT	1.16	.55	.50	.31	.69	.10	1/4	50
0T	2	1/0 - 14	3/16"	1.47	.79	.63	.44	.85	.19	1/4	120
2/0T	2	2/0 - 14	3/16"	1.47	.79	.63	.44	.85	.19	1/4	120
250T	2	250 - 6	5/16"	2.00	1.02	.88	.47	1.13	.22	5/16	275
300T	2	300 - 6	5/16"	2.00	1.13	.88	.50	1.00	.25	5/16	275
350T	2	350 - 6	5/16"	2.25	1.13	.99	.50	1.25	.25	3/8	275
500T	2	500 - 4	3/8"	2.75	1.41	1.20	.63	1.63	.31	3/8	375
600T	2	600 - 2	3/8"	3.18	1.51	1.38	.63	1.93	.38	3/8	375
800T	2	800 - 300	1/2"	3.25	1.69	1.44	.63	1.88	.44	1/2	500
1000T	2	1000 - 350	9/16"	3.25	1.88	1.69	.75	1.75	.44	1/2	600

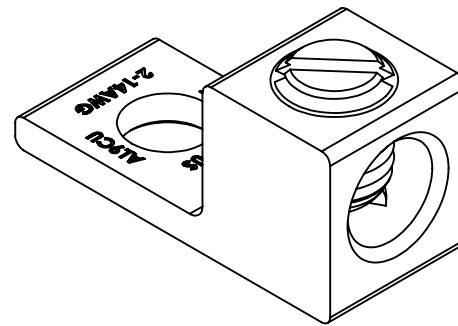
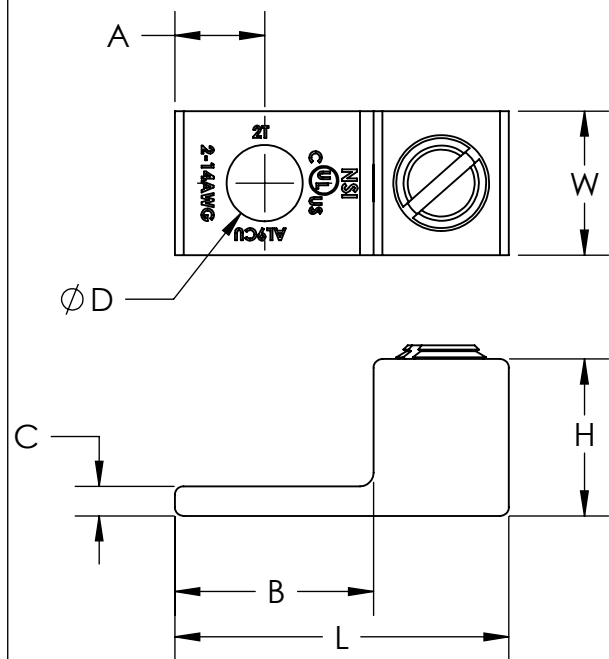


FIGURE 1

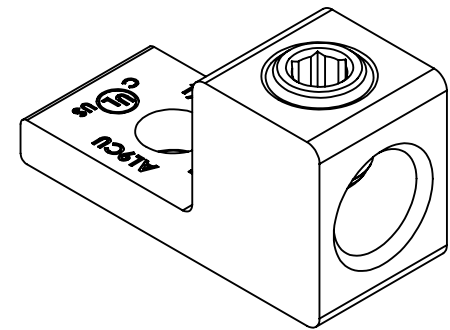


FIGURE 2

NOTES:

1. TINPLATED 6061-T6 ALUMINUM ALLOY.
2. UL LISTED 90°C FOR COPPER AND ALUMINUM CONDUCTOR.

NSI		NSI INDUSTRIES, LLC	
TORK		USA • 800.321.5847 • www.nsiindustries.com	
PROPRIETARY AND CONFIDENTIAL		9730 Northcross Center Court Huntersville, NC 28078	
THE INFORMATION CONTAINED IN THIS DRAWING IS THE SOLE PROPERTY OF NSI Industries, LLC. REPRODUCTION IN PART OR AS A WHOLE WITHOUT THE WRITTEN PERMISSION OF POLARIS SALES CO. INC. IS PROHIBITED.		TITLE: NSI SINGLE LUG	
DRAWN BY: KM		DATE: 08-10-10	
MATERIAL: N/A		DWG. NO. NSI SINGLE LUG	
SCALE: 1:1		SHEET: 1 OF 1	