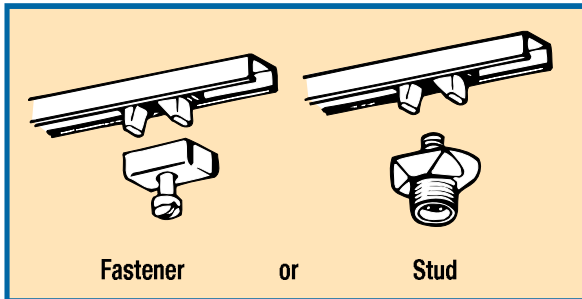


## Box Hangers and Supports

### Adjustable Bar Hangers for Plaster and Drywall

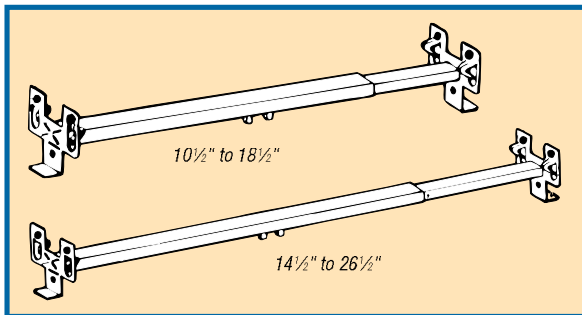
Packaged complete with either...



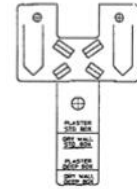
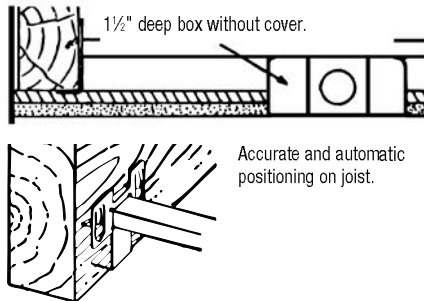
#### Ease of Installation:

Claws provide temporary support for proper positioning until permanently installed.

#### Two adjustable lengths:

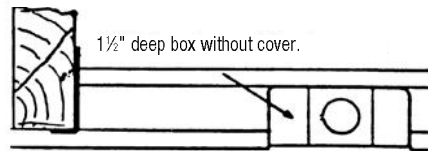


#### ½", ¾", ⅞" Lath and Plaster



Endplate locator tab is scored and marked for lath and plaster drywall applications with standard and deep boxes.

#### ⅜", ½", ⅝" Drywall Board



Foot straightened gauges for 1½"-deep box with cover or 2½"-deep box without cover. With foot broken off gauges for shallow pan box.

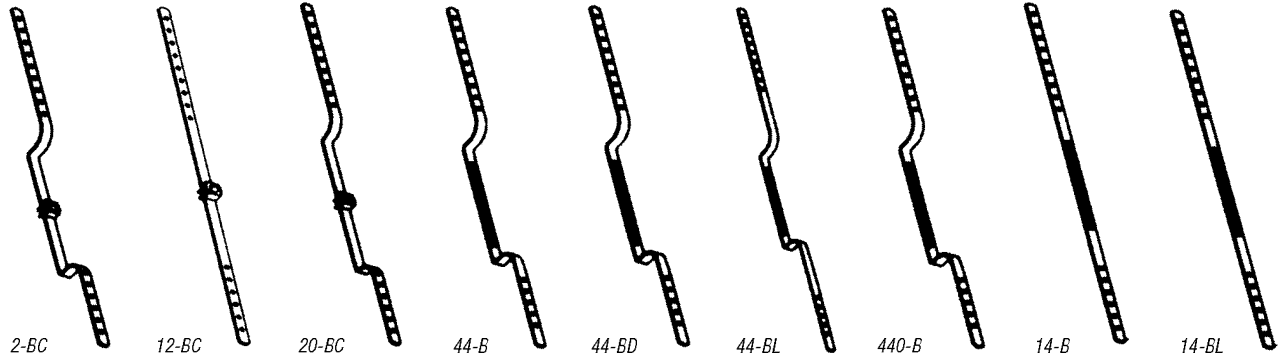


CAT. NO.	DEPTH OF END PLATE (IN.)	BR LENGTH (IN.)	STUD OR FASTENER	STD. CTN.
<b>For ⅜", ½" and ⅝" Wall Board and Plaster — 50 lb. Max. Load Rating</b>				
6010DW-25	⅜"	10½–18½	Stud	25
6010ADW-25	⅜"	14½–26½	Stud	25
6011DW-25	½"	10½–18½	Fastener	25
6011ADW-25	½"	14½–26½	Fastener	25

\*Score marks for drywall and plaster depths.

## Box Hangers and Supports

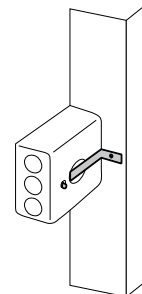
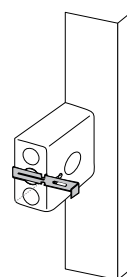
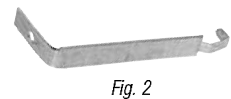
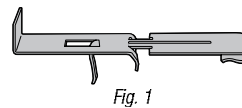
### Bar Hangers



CAT. NO.	DESCRIPTION	STD. CTN.
2-BC	<b>21" LONG</b> Deep offset bar hanger. Offset 1½" for mounting boxes with plaster ring. Furnished with clip	50
12-BC	<b>20" LONG</b> Straight bar hanger for mounting pancake boxes. Furnished with clip	50
20-BC	<b>22" LONG</b> Shallow offset bar hanger. Offset 1" for mounting ½"-deep boxes without rings. Furnished with clips	50
44-B	<b>22" LONG</b> Deep offset bar hanger. Offset 1½" for mounting ½"-deep boxes with plaster ring to bring cover flush with plaster. Furnished with stovebolt	50
44-BD	<b>22" LONG</b> Extra deep offset bar hanger. Offset 2⅝" for mounting 2⅝"-deep box. Furnished with stovebolt	50
44-BL	<b>26" LONG</b> Deep offset bar hanger. Offset 1½" for mounting ½"-deep boxes with plaster ring to bring cover flush with plaster. Furnished with stovebolt	50
440-B	<b>21" LONG</b> Shallow offset bar hanger. Offset 1" for mounting ½"-deep boxes without rings. Furnished with stovebolt	50
14-B	<b>20" LONG</b> Straight bar hanger for mounting ceiling boxes. Furnished with stovebolt	50
14-BL	<b>24" LONG</b> Straight bar hanger for mounting ceiling boxes. Furnished with stovebolt	50

### Far-Side Box Support

- Provides side support for electrical boxes
- Works with most electrical boxes for 2½", 3½" and 4" metal stud depths



CAT. NO.	FIG. NO.	DESCRIPTION	STD. CTN.
SS1-TB	1	Far-side box support	100
50-SC	2	Box brace for 4" square or octagonal box	100

## Box Hangers and Supports

### Floor-Mounted Box Supports

- Mounts on metal or wood studding
- Ideal for schools, hospitals, industrial and commercial jobs
- Used as conduit rack or spacer for rigid conduit, IMC or EMT
- Galvanized steel

CAT. NO.	FIG. NO.	DESCRIPTION	STD. CTN.
7502	1	Footed box supports, 20" height	25
7503-SC	1	Footed box supports, 30" height	50

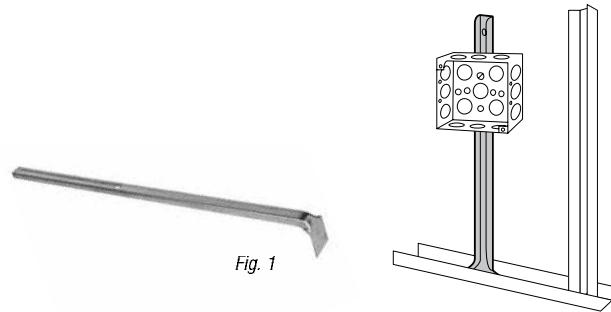
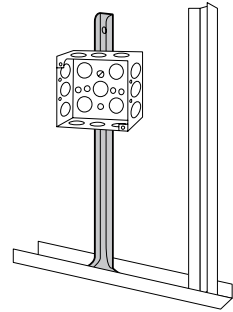
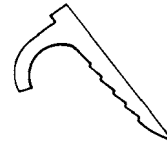


Fig. 1



### Pipe Nailers

CAT. NO.	DESCRIPTION	STD. CTN.
PN-3-1	1"	1,000



### Snap-On Box Clip

- Fits most electrical boxes requiring plaster rings
- No screws required
- Fits most metal stud sizes
- Support leg braces box against stud
- Will not move on stud
- Installs easily with a hammer
- Wider part for more secure fastening
- Adjustable offset enables box to protrude through drywall sizes: 1/4", 3/8", 1/2", 5/8" or 3/4"

CAT. NO.	FIG. NO.	DESCRIPTION	STD. CTN.
SSF-SMX	1	Snap-on box support for mounting to stud	100
SSF-SK	2	Screw to stud, box support	100
SF-SFA	3	Snap-on box support for mounting to stud, adjustable	25
SSF-SF0	4	Snap-on box support for mounting to stud, riveted for flush to stud face	25
SSF-SF1/4	4	Snap-on box support for mounting to stud, riveted for 1/4" drywall	25
SSF-SF3/8	4	Snap-on box support for mounting to stud, riveted for 3/8" drywall	25
SSF-SF1/2	4	Snap-on box support for mounting to stud, riveted for 1/2" drywall	25
SSF-SF5/8	4	Snap-on box support for mounting to stud, riveted for 5/8" drywall	25
SSF-SF3/4	4	Snap-on box support for mounting to stud, riveted for 3/4" drywall	25
SSF-SFT	5	Snap-on box support for mounting to stud with 1/4"-20 thread impression	25

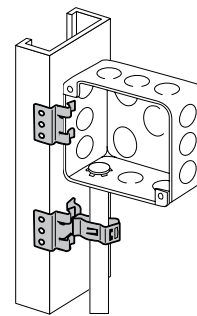


Fig. 1

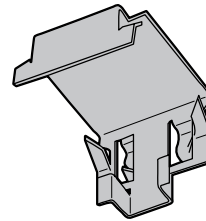


Fig. 2

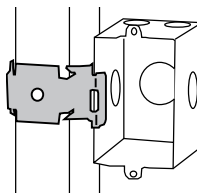


Fig. 3

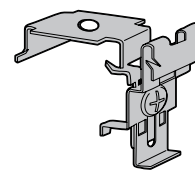


Fig. 4

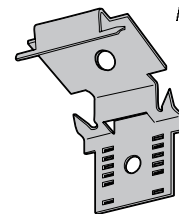


Fig. 5