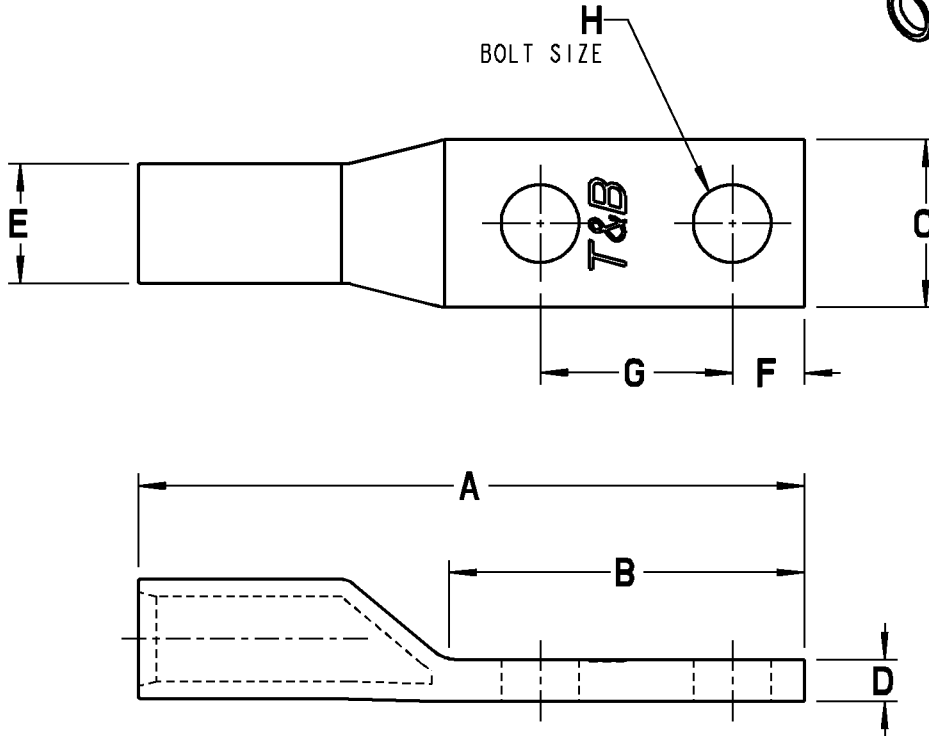
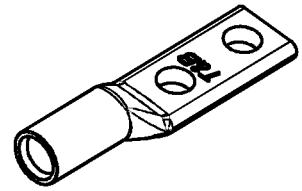




Color-Keyed[®]



NOTES:

1. MATERIAL: HIGH CONDUCTIVITY WROUGHT ALUMINUM
2. FINISH: ELECTRO-TIN PLATE
3. CONNECTORS SUPPLIED WITH T&B OXIDE INHIBITOR COMPOUND IN WIRE BORE. DO NOT CLEAN TIN PLATED TONGUE
- 4 HAND TOOLS REQUIRE TWO (2) CRIMPS

5.	HAND INSTALLING TOOLS	WIRE RANGE AL LUGS	HYDRAULIC INSTALLING TOOLS
	TBM5-S	#12-4/0	12, 15 & 40 TON HEADS
	TBM6S	#12-350MCM	
	TBM8S	#12-350MCM	

GENERAL NOTES		Thomas & Betts <small>www.tnb.com</small>			
1. ALL DIMENSIONS ARE FOR REFERENCE ONLY. 2. DIMENSIONS IN BRACKETS [] ARE IN METRIC UNITS.					
REVISIONS		ORIGINAL PROJECT NO / (ERN NO)	SHEET NO:	REV. NO:	DRAWING NO:
- SEE ERN (****) FOR APPROVAL SIGNATURES & RELEASE DATE. PROJECT NO: ****		CM402358 / (2011849)	1 OF 2	-	WSD-000581

CAT. NO.	CODE CABLE		H RANGE TAKING	H BOLT SIZE	A	B	C	D	E	F	G	HEX DIE CODE #	COLOR KEY
	SIZE	STR.											
60230	1/0	19	#8-1/0	3/8	3.468 [88,11]	1.875 [47,63]	.875 [22,23]	.219 [5,56]	.625 [18,88]	.375 [9,53]	1.000 [25,4]	50	TAN
60236	2/0	19	#1-2/0	3/8	3.500 [88,9]	1.875 [47,63]	.969 [24,61]	.234 [5,95]	.688 [17,46]	.375 [9,53]	1.000 [25,4]	54(H)	OLIVE
60238	2/0	19	#1-2/0	1/2	5.000 [127]	3.375 [85,73]	.969 [24,61]	.234 [5,95]	.688 [17,46]	.750 [19,05]	1.750 [44,45]	54(H)	OLIVE
60242	3/0	19	-----	3/8	3.656 [92,87]	1.875 [47,63]	1.062 [26,99]	.250 [6,35]	.766 [19,45]	.375 [9,53]	1.000 [25,4]	60	RUBY
60244	3/0	19	-----	1/2	5.156 [130,97]	3.375 [85,73]	1.062 [26,99]	.250 [6,35]	.766 [19,45]	.750 [19,05]	1.750 [44,45]	60	RUBY
60248	4/0	19	2/0-4/0	3/8	4.578 [116,28]	1.922 [48,82]	1.203 [30,56]	.250 [6,35]	.859 [21,83]	.375 [9,53]	1.000 [25,4]	66(H)	WHITE
60250	4/0	19	2/0-4/0	1/2	5.906 [150,02]	3.250 [82,55]	1.203 [30,56]	.250 [6,35]	.859 [21,83]	.750 [19,05]	1.750 [44,45]	66(H)	WHITE
60254	250	37	-----	3/8	4.719 [119,86]	1.922 [48,82]	1.297 [32,94]	.257 [6,75]	.922 [23,42]	.375 [9,53]	1.000 [25,4]	71(H)	RED
60256	250	37	-----	1/2	6.000 [152,4]	3.250 [82,55]	1.297 [32,94]	.257 [6,75]	.922 [23,42]	.750 [19,05]	1.750 [44,45]	71(H)	RED
60260	300	37	4/0-300	3/8	4.797 [121,84]	1.922 [48,82]	1.391 [35,32]	.281 [7,14]	.984 [25,0]	.375 [9,53]	1.000 [25,4]	76(H)	BLUE
60262	300	37	4/0-300	1/2	6.125 [155,58]	3.250 [82,55]	1.391 [35,32]	.281 [7,14]	.984 [25,0]	.750 [19,05]	1.750 [44,45]	76(H)	BLUE
60265	350	37	250-350	3/8	5.562 [141,29]	1.922 [48,82]	1.531 [38,89]	.328 [8,33]	1.094 [27,78]	.375 [9,53]	1.000 [25,4]	87(H)	BROWN
60267	350	37	250-350	1/2	6.828 [173,43]	3.250 [82,55]	1.531 [38,89]	.328 [8,33]	1.094 [27,78]	.750 [19,05]	1.750 [44,45]	87(H)	BROWN
60268	400	37	-----	3/8	5.625 [142,88]	1.922 [48,82]	1.640 [41,67]	.375 [9,53]	1.188 [30,16]	.375 [9,53]	1.000 [25,4]	94(H)	GREEN
60269	400	37	-----	1/2	7.062 [179,39]	3-1/4 [95,25]	1.640 [41,67]	.375 [9,53]	1.188 [30,16]	.750 [19,05]	1.750 [44,45]	94(H)	GREEN
60271	500	37	4/0-500	3/8	5.714 [145,14]	1.922 [48,82]	1.797 [45,64]	.375 [9,53]	1.281 [32,54]	.375 [9,53]	1.000 [25,4]	99(H)	PINK
60273	500	37	-----	1/2	7.0007 [177,8]	3.250 [82,55]	1.797 [45,64]	.375 [9,53]	1.281 [32,54]	.750 [19,05]	1.750 [44,45]	99(H)	PINK
60274	600	61	-----	3/8	5.750 [146,05]	1.922 [48,82]	1.922 [48,82]	.375 [9,53]	1.359 [34,53]	.375 [9,53]	1.000 [25,4]	106(H)	BLACK
60275	600	61	-----	1/2	7.125 [180,98]	3.250 [82,55]	1.922 [48,82]	.375 [9,53]	1.359 [34,53]	.750 [19,05]	1.750 [44,45]	106(H)	BLACK
60276	700	61	-----	3/8	5.875 [149,23]	1.922 [48,82]	2.047 [51,99]	.375 [9,53]	1.438 [36,51]	.375 [9,53]	1.000 [25,4]	112(H)	PURPLE
60277	700	61	-----	1/2	7.203 [182,96]	3.250 [82,55]	2.047 [51,99]	.375 [9,53]	1.438 [36,51]	.750 [19,05]	1.750 [44,45]	112(H)	PURPLE
60278	750	61	500-750	1/2	7.406 [188,12]	3.250 [82,55]	2.125 [53,98]	.391 [9,92]	1.500 [38,1]	.750 [19,05]	1.750 [44,45]	115(H)	YELLOW
60284	1000	61	-----	1/2	8.031 [203,99]	3.250 [82,55]	2.500 [63,5]	.500 [12,7]	1.766 [44,85]	.750 [19,05]	1.750 [44,45]	140(H)	-----

*TBM8-750 & TBM8-750ML TOOL
REQUIRES ONLY 1 CRIMP FOR
ALL APPLICATIONS



DESCRIPTION: **TWO HOLE LUGS FOR STRANDED ALUMINUM AND COPPER CABLES**

SHEET NO:
2 OF 2

REV. NO:
-

DRAWING NO:
WSD-000581