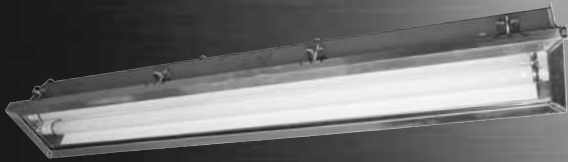


HazMax Quantum/al



FEATURES

- Fluorescent system provides energy savings up to 50% when compared to HID.
- Multi voltage electronic ballast resistant to brownouts or voltage and frequency fluctuations.
- Ballast anchor point facilitates easy ballast replacement without removing fixture from service.
- Dual spring loaded lamp holders provide resistance to shock and vibration.
- Maintenance friendly swing bolt latch system allows for tool-less entry.
- Permanent safety cable attachment points at each end.
- Field replaceable lens, ballast and lamp holders.
- Neoprene gasket resists petroleum.
- Optional, self contained emergency battery backup ballasts.
- Optional certified test switch on emergency models.
- Optional stainless steel nuts with nylon inserts.
- Luminaires supplied with lamps.

APPLICATIONS

- Hazardous locations
- Watertight requirements
- Dusttight requirements
- Oil and gas drilling rigs
- Bulk storage facilities
- Hazardous material storage
- Maintenance & lubrication pits
- Surface mining
- Petrochemical facilities
- Pipeline pumping stations
- Paint storage areas

APPROVALS

- Class I Division 2 Groups A, B, C & D
- Class I Zone 2 Groups IIA, IIB & IIC
- Class II Division 2 Groups F & G
- Class III
- Type 4
- Conforms to IP66

STANDARDS

- UL 844 - Hazardous Locations
- UL 1598 - Luminaires
- CSA - Class 3428 03
- CSA - Class 3428 83

TECHNICAL SPECIFICATIONS

HOUSING

Heavy gage aluminum.

LENS

Clear polycarbonate.

REFLECTOR

Type 5052H32 aluminum with an electrostatically applied polyester powder coat finish. Minimum 90% reflectance.

GASKET

One piece neoprene.

MOUNTING

Direct or optional adjustable bracket.

LATCHES

Swing bolt latch system.

LAMP HOLDER

Double spring loaded.

ENTRIES

1 or 2 optional 1/2" NPT hubs or 3/4" NPT hubs.

LAMP TYPES

See ORDERING REFERENCES. Lamps provided.

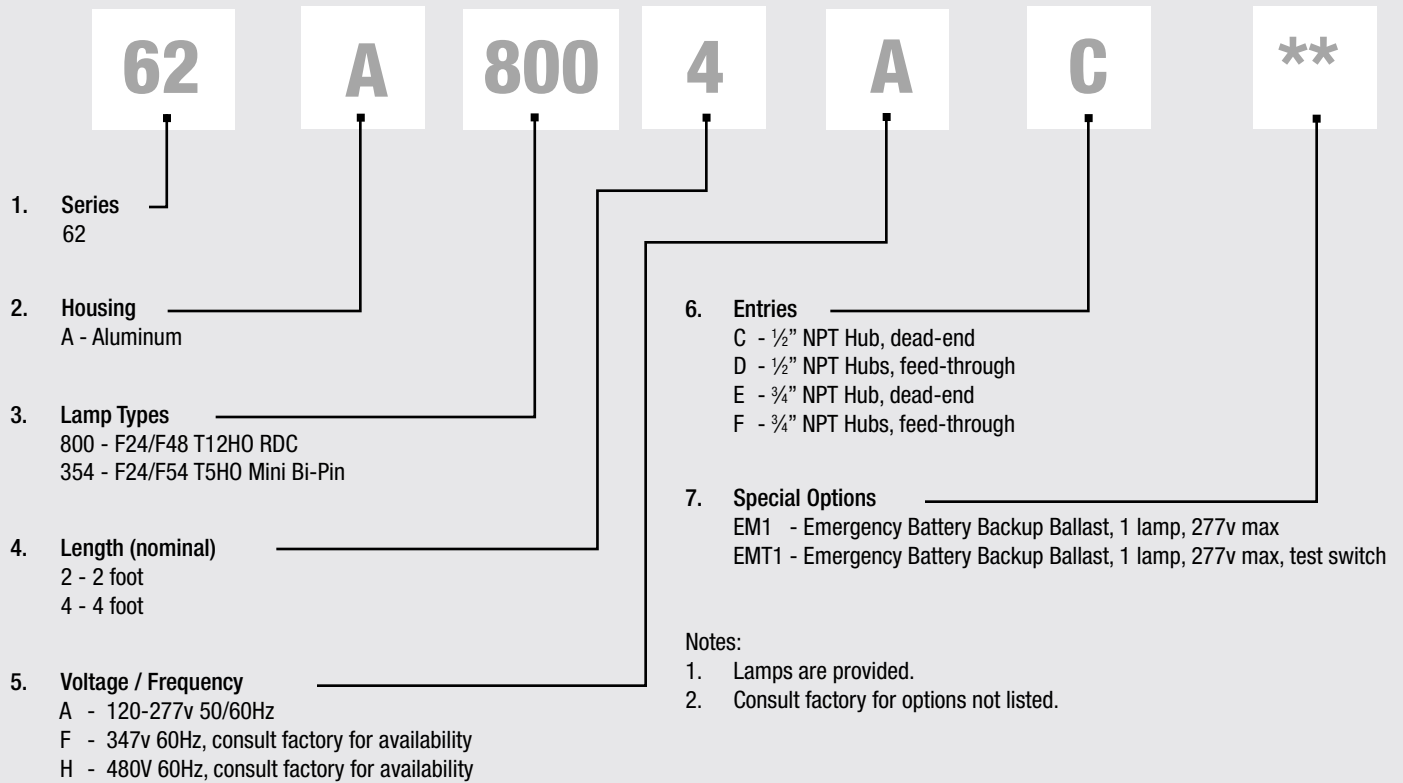
BALLAST

120 to 277 volt 50/60 Hz electronic, optional 347v and 480v.

EMERGENCY BATTERY BACKUP BALLAST

Optional, self contained. 90 minute minimum for all lamp types. Starting temperature 32°F/0°C.

ORDERING REFERENCES



SPARE PARTS

| Part No. | Description |
|------------|--|
| FX5307 | BALLAST 120-277V AC 50/60HZ, 2 x 24, F24T5HO |
| FX5334 | BALLAST 120-277V AC 50/60HZ, 2 x 35, F24T12HO |
| FX5305 | BALLAST 120-277V AC 50/60HZ, 2 x 54, F54T5HO |
| FX5338 | BALLAST 120-277V AC 50/60HZ, 2 x 60, F48T12HO |
| FX5128H DU | EMERGENCY BATTERY BACKUP BALLAST, EM1/EMT1, 120v-277v, T12HO |
| FX5346H DU | EMERGENCY BATTERY BACKUP BALLAST, EM1/EMT1, 120v-277v, T5 & T5HO |
| FX3568 | LAMP, 24w, F24T5HO |
| FX3507 | LAMP, 35w, F24T12HO |
| FX3567 | LAMP, 54w, F54T5HO |
| FX3505 | LAMP, 60w, F48T12HO |
| 010-4000 | LENS/FRAME/GASKET ASSEMBLY, 4 ft. models |
| 010-2000 | LENS/FRAME/GASKET ASSEMBLY, 2 ft. models |
| 010-4200 | GASKET, Lens, 4 ft. models |
| 010-2200 | GASKET, Lens, 2 ft. models |
| 010-4100 | LENS, Polycarbonate, 4 ft. models |
| 010-2100 | LENS, Polycarbonate, 2 ft. models |
| 010-4300 | REFLECTOR, Coated White, 4 ft. models |
| 010-2300 | REFLECTOR, Coated White, 2 ft. models |
| FX4005 | LAMP HOLDER, Screw Mount, T12HO RDC |
| FX4070 | LAMP HOLDER, Slide On, Shallow Base, T12HO RDC |
| FX4008 | LAMP HOLDER, Stationary, T5 HO Mini Bi-Pin |
| FX4009 | LAMP HOLDER, Spring Loaded, T5 HO Mini Bi-Pin |
| 360-0500 | HUB, 1/2" NPT, Hazardous Area |
| 360-0750 | HUB, 3/4" NPT, Hazardous Area |

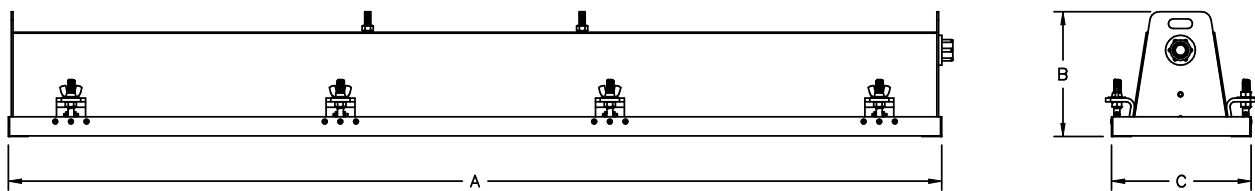
HazMax Quantum/al

TEMPERATURE CODES & APPROVALS

| Lamp Wattage | Ballast/Socket Type | ANSI Lamp Code | Class I T-Code | Class I Division 2 | Class II Division 2 | Class III | Class II & III T-Code | Starting Temp | Maximum Ambient* | Supply Wire |
|--------------|---------------------|----------------|----------------|--------------------|---------------------|-----------|-----------------------|---------------|------------------|-------------|
| 35/60 | T12HO RDC R17d | F24/F48-T12HO | T4A | A,B,C & D | F & G | Yes | T3C | -20°F / -29°C | 40°C | 90°C |
| 24/54 | T5HO Mini Bi-Pin G5 | F24/F54-T5HO | T5 | A,B,C & D | F & G | Yes | T3C | -20°F / -29°C | 40°C | 90°C |

*Consult factory for optional higher ambient models.

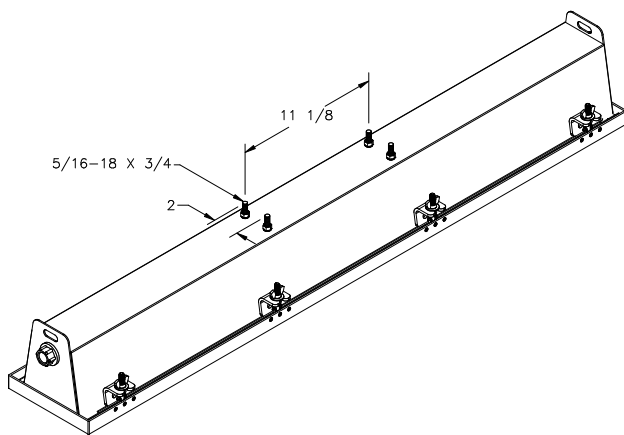
DIMENSIONS



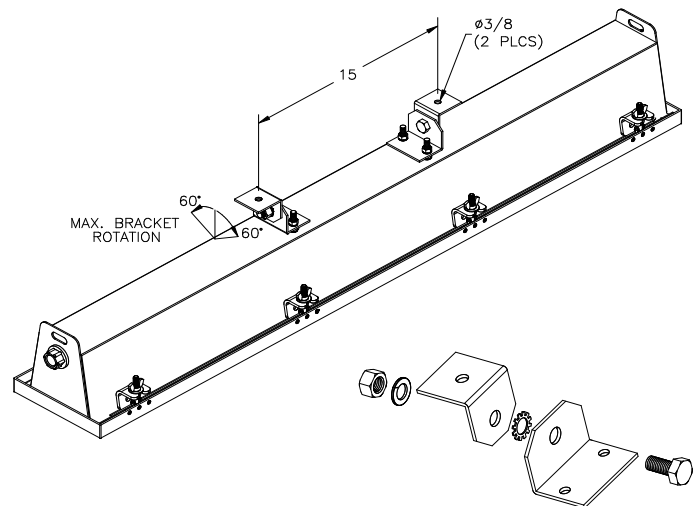
| Nominal Length | Wattage | Dimensions in Inches / Centimeters | | | Carton W x D x L Inches | Nominal Weight | |
|----------------|---------|------------------------------------|--------------|--------------|-------------------------|----------------|------|
| | | A | B | C | | Lbs | Kg |
| 2 Foot | 35/24 | 24.50 / 62.22 | 8.00 / 20.32 | 7.25 / 18.41 | 10 X 6 X 31¼ | 17.0 | 7.7 |
| 4 Foot | 60/54 | 48.50 / 123.18 | 8.00 / 20.32 | 7.25 / 18.41 | 8½ X 7 X 50 | 28.0 | 12.7 |

MOUNTING OPTIONS

Standard Mount



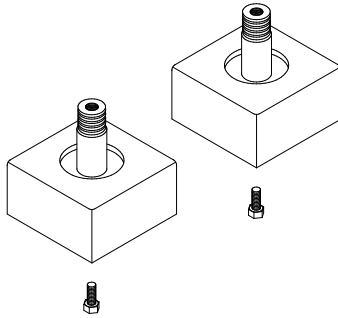
Shown with (2) 5037 Mounting Kit



5037

Adjustable mounting bracket (1 per kit). Two required per fixture.

ACCESSORIES

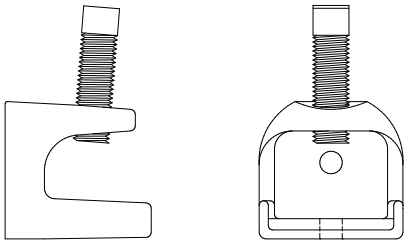


SM2K -

Shock mounting kit (2), for use with 5037 brackets.

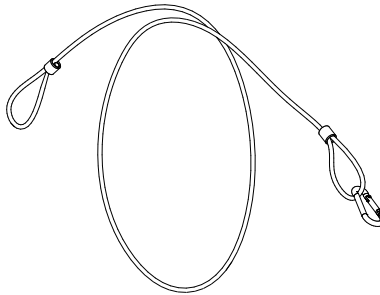
**Beam Clamp Kit
FX7028**

Includes Beam clamps (2), Safety Cable & Cable Gland



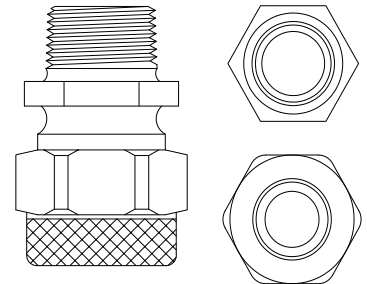
BC2K

2 Beam Clamp Kit.
For use with Surface mount kit.



SC30H

48" Safety Cable with snap hook.



CX1502

Cable Gland $\frac{3}{4}$ " Aluminum,
Cord Grip Range .438 - .562.