

DESCRIPTION

Recessed 6 inch aperture open downlight with one horizontal 13W or 18W double twin tube compact fluorescent lamp. Fixture is suitable for commercial construction. Insulation must be kept 3" from top and sides of housing. Universal input electronic ballast with dimming and emergency options.

Catalog #		Type
Project		
Comments		Date
Prepared by		

SPECIFICATION FEATURES

MECHANICAL

Frame

Boat shaped galvanized steel frame with 1/2" plaster lip accommodates ceilings up to 2" thick. May be used for new construction or remodeling installations. Provided with (2) remodel clips to secure frame when installed from below the ceiling.

Mounting Brackets

Bar hanger receivers adjusts 2" vertically from above the ceiling or thru the aperture. Use with No Fuss™ bar hangers or with 1/2" EMT. Removable to facilitate installation from below the ceiling.

No Fuss™ Bar Hangers

Pre-installed and centered bar hanger locks to tee grid with a screwdriver or pliers. Centering marks on the bar hanger mechanism allows consistent positioning of fixtures.

OPTICAL

Reflector

Highly efficient one piece aluminum reflector provides for equal lamp and lamp image cutoff for a visually comfortable optic. Optional cross blade louver provides sharper cutoff to lamp. Self flanged standard.

- **Specular Reflectors** - Polished flange standard with white painted flange option.
- **Baffles and White Reflector** - White painted flange standard.

Trim Retention

Reflector is retained with two torsion springs and held tightly to the finished ceiling surface.

ELECTRICAL

Junction Box

(6) 1/2" and (2) 3/4" trade size pry outs positioned to allow straight conduit runs. Listed for (12) #12 AWG (six in, six out) 90°C conductors and feed thru branch wiring.

Lamp Socket

4-pin G24q base accepts (1) 13W or 18W DTT lamp.

Socket Housing

Galvanized steel socket housing attached securely to reflector with captive thumbscrew. Vents provide effective lamp thermal management.

Control Gear

Universal 120V - 277V UNV or 347V input electronic ballast for 13W or 18W compact fluorescent lamp.

Emergency Battery Pack

REM - Remote emergency test switch. Housing includes 120V/277V, 60Hz dual-tap battery pack provides 90 minutes of emergency illumination. Long life maintenance free sealed nickel cadmium batteries recharge fully in 24 hours. REM configuration includes prewired and attached remote test switch plate and indicator light. REM option is the standard emergency configuration, and is compatible with all standard reflector options, ordered separately.

IEM - Integral emergency test switch. Housing includes 120V/277V, 60Hz dual-tap battery pack provides 90 minutes of emergency illumination. Long life maintenance free sealed nickel cadmium batteries recharge fully in 24 hours. IEM

configuration includes a prewired integral emergency test switch and indicator light that are both accessible inside the reflector. The IEM option requires "EM" designated reflectors only, ordered separately.

Emergency Battery Pack - Average Lamp Lumen Ratings

REM option: 13W 350lm, 18W 350lm

IEM option: 13W 570lm, 18W 680lm

(Note: average lamp lumens are based upon REM and IEM manufacturer ratings. Delivered lumens depend upon trim; refer to trim photometry to factor delivered lumens).

Code Compliance

- Thermally protected and cULus listed for damp locations.
- IP20 rated for open trims.
- NFPA Life Safety (Emergency Battery Pack).
- EMI/RFI per FCC Title 47 CFR, Part 18, non consumer limits
- High efficacy luminaire may be used to meet IECC, ASHRAE, and Title 24 commercial standards.



PD6H113
PD6H118
62H

(1) 13W or 18W DTT

Compact Fluorescent

6-Inch Aperture
Open Downlight

New Construction or
Remodel
Non-IC

ENERGY DATA

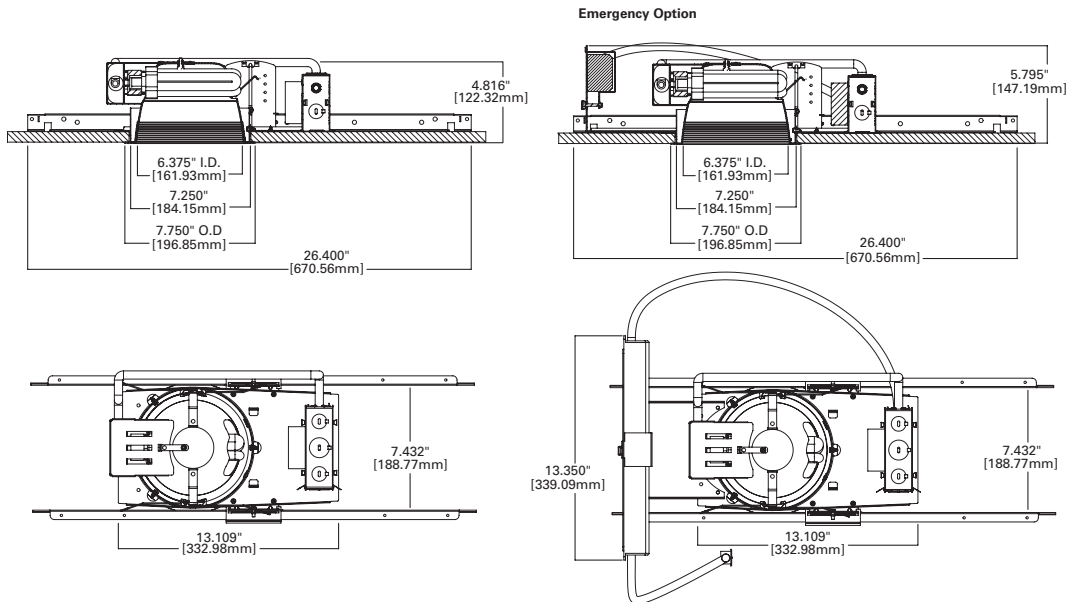
PD6H113E, PD6CPH113E	
MIN. STARTING TEMP -5°F / -20°C	SOUND RATING CLASS A
EMI/RFI EMISSIONS FCC 47CFR PART 18 NON-CONSUMER LIMITS	
INPUT FREQUENCY 50/60 HZ	POWER FACTOR > 0.98
THD < 10%	INPUT VOLTAGE 120V - 277V ±10%
CREST FACTOR < 1.7	BALLAST FACTOR 1.00
OPERATING FREQUENCY > 40KHZ	UL LISTED CLASS P, TYPE 1 OUTDOOR, CSA OR C/UL CERTIFIED
CFQ13W/G24Q	INPUT POWER 16W
	INPUT CURRENT 0.25A @ 120V
	INPUT CURRENT 0.11A @ 277V

PD6H1133E	
MIN. STARTING TEMP 0°F / -18°C	SOUND RATING CLASS A
EMI/RFI EMISSIONS FCC 47CFR PART 18 NON-CONSUMER LIMITS	
INPUT FREQUENCY 50-60HZ	POWER FACTOR > 0.98
THD < 10%	INPUT VOLTAGE 347VAC ±10%
CREST FACTOR < 1.7	BALLAST FACTOR 1.00
OPERATING FREQUENCY 62-72 KHZ	cULUS CERTIFIED
CFQ13W/G24Q	INPUT POWER 18W
	INPUT CURRENT 0.06A @ 347V

PD6H118E, PD6CPH118E	
MIN. STARTING TEMP 0°F / -18°C	SOUND RATING CLASS A
EMI/RFI EMISSIONS FCC 47CFR PART 18 NON-CONSUMER LIMITS	
INPUT FREQUENCY 50/60 HZ	POWER FACTOR > 0.98 @ 120V
THD < 10% @ 120V	POWER FACTOR > 0.95 @ 277V
THD < 15% @ 277V	INPUT VOLTAGE 120VAC - 277VAC ±10%
CREST FACTOR < 1.5	BALLAST FACTOR 1.00
OPERATING FREQUENCY 50-60KHZ	cULUS, CLASS P, TYPE 1 OUTDOOR, TYPE CC, TYPE HL
CFQ18W/G24Q	INPUT POWER 19W
	INPUT CURRENT 0.16A @ 120V
	INPUT CURRENT 0.07A @ 277V

PD6H1183E	
MIN. STARTING TEMP 0°F / -18°C	SOUND RATING CLASS A
EMI/RFI EMISSIONS FCC 47CFR PART 18 NON-CONSUMER LIMITS	
INPUT FREQUENCY 50-60HZ	POWER FACTOR > 0.98
THD < 10%	INPUT VOLTAGE 347VAC ±10%
CREST FACTOR < 1.5	BALLAST FACTOR 1.00
OPERATING FREQUENCY 60-70 KHZ	cULUS CERTIFIED
CFQ18W/G24Q	INPUT POWER 21W
	INPUT CURRENT 0.06A @ 347V

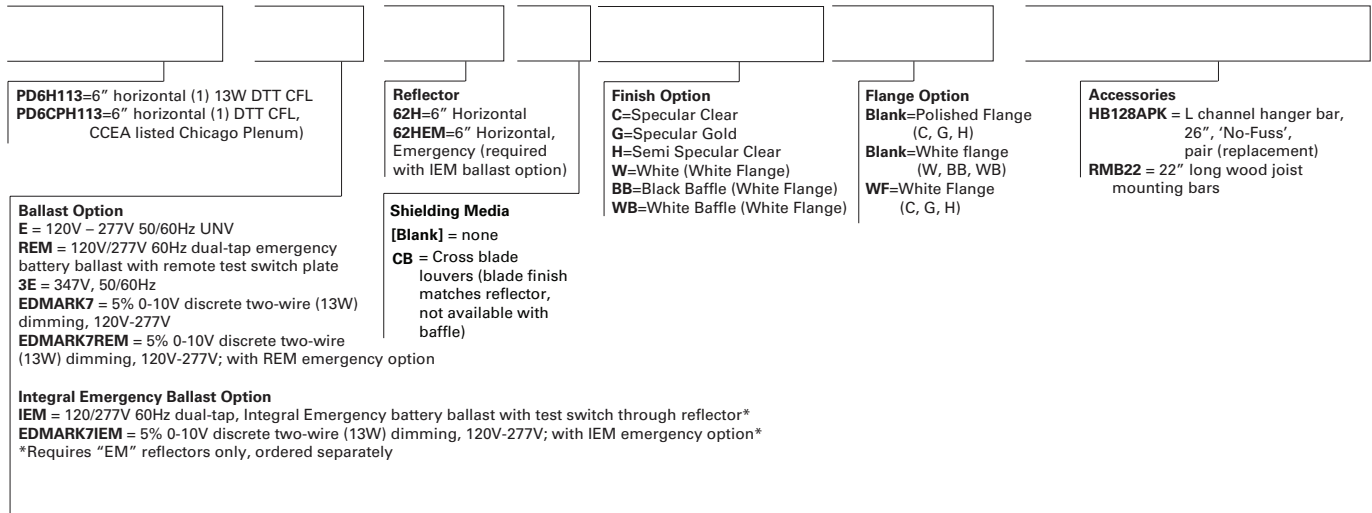
DIMENSIONS



ORDERING INFORMATION

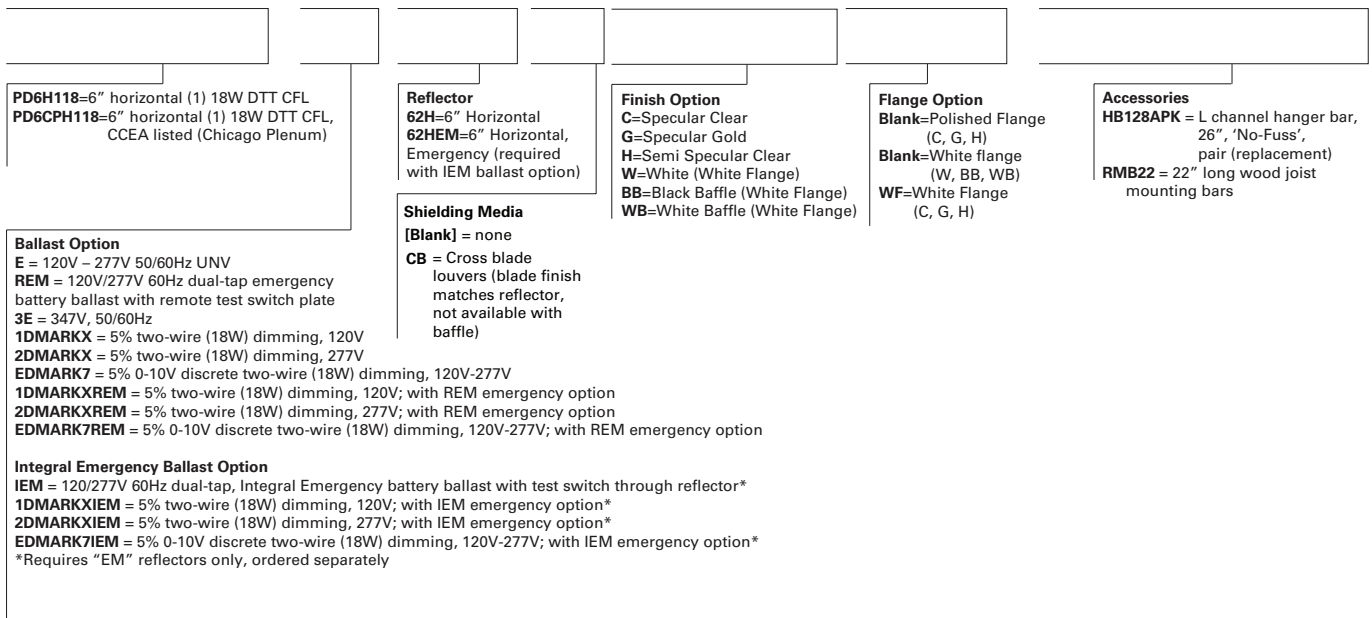
SAMPLE NUMBER: PD6H113E 62HC

Order housing, reflector and lamp separately for a complete luminaire.



SAMPLE NUMBER: PD6H118E 62HC

Order housing, reflector and lamp separately for a complete luminaire.

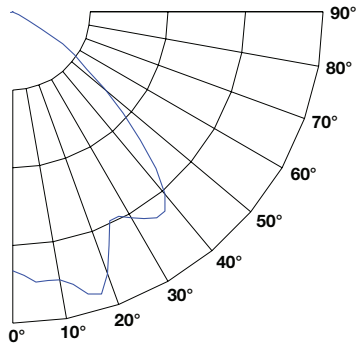


PHOTOMETRY

PD6H113E-62HC_13DTT

Spacing Criteria = 1.16
Lumens per Watt = 35 LpW
Test No. P31194
Test Model: PD6H113E-62HC_13DTT

Candlepower Distribution Curve



Candela Distribution	
Degrees Vertical	Candela
0*	257
5	261
15	241
25	194
35	184
45	122
55	50
65	5
75	0
85	0
90	0

*CBCP

Luminance	
(Average Candela/M ²)	
Degree	Avg. 0° Luminance
45	6752
55	3151
65	379
75	0
85	0

Cone of Light Footcandles			
Distance to Illuminated Plane	Initial Nadir Footcandles	Beam (ft.)	
		L Length	W Width
5.5'	9	6.9	8.4
7'	5	8.8	10.7
8'	4	10	12.3
9'	3	11.3	13.8
10'	3	12.5	15.3
12'	2	15	18.4
14'	1	17.5	21.5

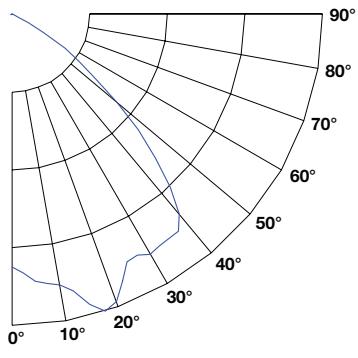
Beam diameter is to 50% of maximum footcandles, rounded to the nearest half-foot. Footcandle values are initial, apply appropriate light loss factors where necessary.

Zonal Lumen Summary			
Zone	Lumens	% Lamp	% Fixture
0-30	215.83	24.00	37.90
0-40	364.59	40.50	64.10
0-60	559.04	62.10	98.20
0-90	569.19	63.20	100.00

PD6H118E-62HC_18DTT

Spacing Criteria = 1.50
Lumens per Watt = 35 LpW
Test No. P31193
Test Model: PD6H118E-62HC_18DTT

Candlepower Distribution Curve



Candela Distribution	
Degrees Vertical	Candela
0*	306
5	323
15	327
25	328
35	315
45	204
55	82
65	5
75	1
85	0
90	0

*CBCP

Luminance	
(Average Candela/M ²)	
Degree	Avg. 0° Luminance
45	10180
55	4675
65	345
75	91
85	0

Cone of Light Footcandles			
Distance to Illuminated Plane	Initial Nadir Footcandles	Beam (ft.)	
		L Length	W Width
5.5'	11	7.7	8.5
7'	7	9.8	10.9
8'	5	11.2	12.4
9'	4	12.6	14
10'	3	13.9	15.5
12'	2	16.7	18.6
14'	2	19.5	21.8

Beam diameter is to 50% of maximum footcandles, rounded to the nearest half-foot. Footcandle values are initial, apply appropriate light loss factors where necessary.

Zonal Lumen Summary			
Zone	Lumens	% Lamp	% Fixture
0-30	277.02	23.10	37.30
0-40	472.18	39.30	63.60
0-60	729.36	60.80	98.20
0-90	742.92	61.90	100.00

Note: Specifications and Dimensions subject to change without notice.

Visit our web site at www.cooperlighting.com