

**DESCRIPTION**

Recessed 6 inch aperture open downlight for one horizontal 13W or 18W double twin tube compact fluorescent lamp. Fixture is suitable for commercial construction. Insulation must be kept 3" from top and sides of housing. Universal input electronic ballast with dimming and emergency options.

|             |  |      |
|-------------|--|------|
| Catalog #   |  | Type |
| Project     |  |      |
| Comments    |  | Date |
| Prepared by |  |      |

**SPECIFICATION FEATURES**

**MECHANICAL**

**Frame**

Boat shaped galvanized steel frame with 1/2" plaster lip accommodates ceilings up to 2" thick. May be used for new construction or remodeling installations. Provided with (2) remodel clips to secure frame when installed from below the ceiling.

**Mounting Brackets**

Bar hanger receivers adjusts 2" vertically from above the ceiling or thru the aperture. Use with No Fuss™ bar hangers or with 1/2" EMT. Removable to facilitate installation from below the ceiling.

**No Fuss™ Bar Hangers**

Pre-installed and centered bar hanger locks to tee grid with a screwdriver or pliers. Centering marks on the bar hanger mechanism allows consistent positioning of fixtures.

**OPTICAL Reflector**

Highly efficient one piece aluminum reflector combined with spun aluminum gradient kicker reflector provides for vertical illumination with a downlight component. Equal cutoff on room side and uniform illumination of the wall plane for a visually comfortable optic. Self flanged standard.

- **Specular Reflectors** - Polished flange standard with white painted flange option.

- **Baffles and White Reflector** - White painted flange standard.

**Trim Retention**

Reflector assembly is retained with two torsion springs and held tightly to the finished ceiling surface. Orientation markings on housing and trim facilitate proper alignment.

**ELECTRICAL Junction Box**

(6) 1/2" and (2) 3/4" trade size pry outs positioned to allow straight conduit runs. Listed for (12) #12 AWG (six in, six out) 90°C conductors and feed thru branch wiring.

**Lamp Socket**

4-pin G24q base accepts (1) 13W or 18W DTT lamp.

**Socket Housing**

Galvanized steel socket housing attached securely to reflector with captive thumbscrew. Vents provide effective lamp thermal management.

**Control Gear**

Universal 120V - 277V UNV or 347V input electronic ballast for 13W or 18W compact fluorescent lamp.

**Emergency Battery Pack**

REM - Remote emergency test switch. Housing includes 120V/277V, 60Hz dual-tap battery pack provides 90 minutes of emergency illumination. Long life maintenance free sealed nickel cadmium batteries recharge fully

in 24 hours. REM configuration includes prewired and attached remote test switch plate and indicator light. REM option is the standard emergency configuration, and is compatible with all standard reflector options, ordered separately.

Emergency Battery Pack - Average Lamp Lumen Ratings

REM option: 13W 350lm, 18W 350lm

(Note: average lamp lumens are based upon REM manufacturer ratings. Delivered lumens depend upon trim; refer to trim photometry to factor delivered lumens).

**Code Compliance**

- Thermally protected and cULus listed for damp locations.
- IP20 rated for open trims.
- NFPA Life Safety (Emergency Battery Pack).
- EMI/RFI per FCC Title 47 CFR, Part 18, non consumer limits.
- High efficacy luminaire may be used to meet IECC, ASHRAE, and Title 24 commercial standards.



**PD6H113  
PD6H118  
62HWW**

**(1) 13W or 18W DTT**

**Compact Fluorescent**

**6-Inch Aperture  
Open Wall Wash**

**New Construction or  
Remodel  
Non-IC**

## ENERGY DATA

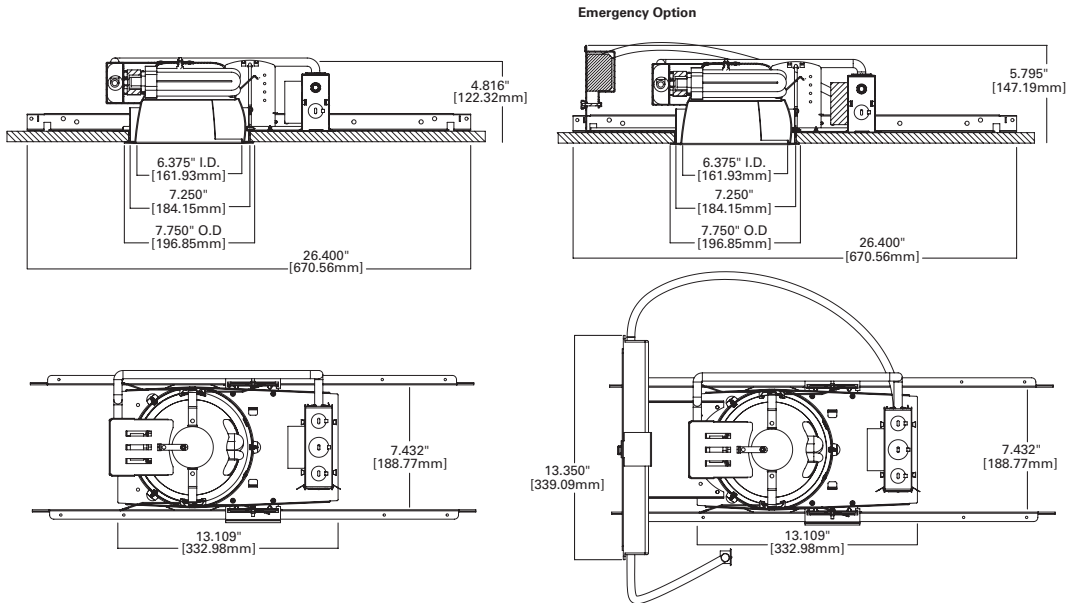
| PD6H113E, PD6CPH113E                                    |  |
|---|--|
| MIN. STARTING TEMP -5°F / -20°C                         | SOUND RATING CLASS A                                     |
| EMI/RFI EMISSIONS FCC 47CFR PART 18 NON-CONSUMER LIMITS |  |
| INPUT FREQUENCY 50/60 Hz                                | POWER FACTOR > 0.98                                      |
| THD < 10%   | INPUT VOLTAGE 120V - 277V ±10%                           |
| CREST FACTOR < 1.7                                      | BALLAST FACTOR 1.00                                      |
| OPERATING FREQUENCY > 40kHz                             | UL LISTED CLASS P, TYPE 1 OUTDOOR, CSA OR C/UL CERTIFIED |
| CFQ13W/G24Q   | INPUT POWER 16W  |
|   | INPUT CURRENT 0.25A @ 120V                               |
|   | INPUT CURRENT 0.11A @ 277V                               |

| PD6H1133E   |                            |
|---|----------------------------|
| MIN. STARTING TEMP 0°F / -18°C                          | SOUND RATING CLASS A       |
| EMI/RFI EMISSIONS FCC 47CFR PART 18 NON-CONSUMER LIMITS |                            |
| INPUT FREQUENCY 50-60Hz                                 | POWER FACTOR > 0.98        |
| THD < 10%   | INPUT VOLTAGE 347VAC ±10%  |
| CREST FACTOR < 1.7                                      | BALLAST FACTOR 1.00        |
| OPERATING FREQUENCY 62-72 kHz                           | cULUS CERTIFIED            |
| CFQ13W/G24Q   | INPUT POWER 18W            |
|   | INPUT CURRENT 0.06A @ 347V |

| PD6H118E, PD6CPH118E                                    |  |
|---|--|
| MIN. STARTING TEMP 0°F / -18°C                          | SOUND RATING CLASS A                             |
| EMI/RFI EMISSIONS FCC 47CFR PART 18 NON-CONSUMER LIMITS |  |
| INPUT FREQUENCY 50/60 Hz                                | POWER FACTOR > 0.98 @ 120V                       |
| THD < 10% @ 120V  | POWER FACTOR > 0.95 @ 277V                       |
| THD < 15% @ 277V  | INPUT VOLTAGE 120VAC - 277VAC ±10%               |
| CREST FACTOR < 1.5                                      | BALLAST FACTOR 1.00                              |
| OPERATING FREQUENCY 50-60kHz                            | cULUS, CLASS P, TYPE 1 OUTDOOR, TYPE CC, TYPE HL |
| CFQ18W/G24Q   | INPUT POWER 19W                                  |
|   | INPUT CURRENT 0.16A @ 120V                       |
|   | INPUT CURRENT 0.07A @ 277V                       |

| PD6H1183E   |                            |
|---|----------------------------|
| MIN. STARTING TEMP 0°F / -18°C                          | SOUND RATING CLASS A       |
| EMI/RFI EMISSIONS FCC 47CFR PART 18 NON-CONSUMER LIMITS |                            |
| INPUT FREQUENCY 50-60Hz                                 | POWER FACTOR > 0.98        |
| THD < 10%   | INPUT VOLTAGE 347VAC ±10%  |
| CREST FACTOR < 1.5                                      | BALLAST FACTOR 1.00        |
| OPERATING FREQUENCY 60-70 kHz                           | cULUS CERTIFIED            |
| CFQ18W/G24Q   | INPUT POWER 21W            |
|   | INPUT CURRENT 0.06A @ 347V |

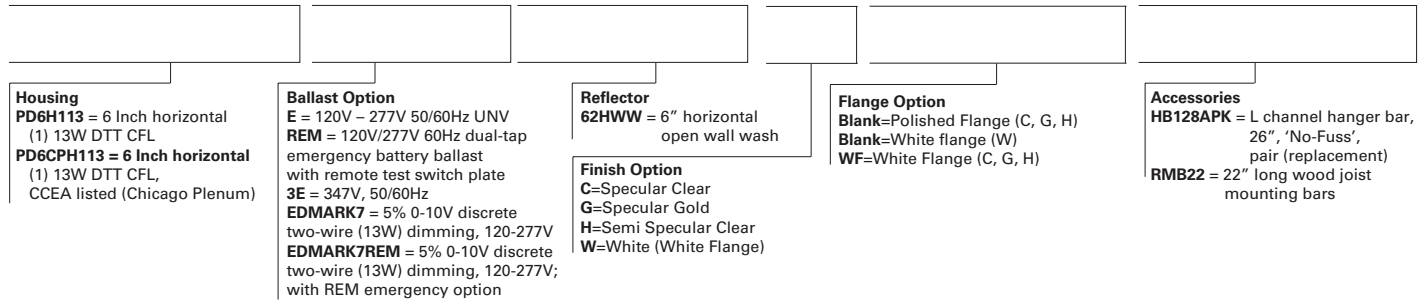
## DIMENSIONS



## ORDERING INFORMATION

**SAMPLE NUMBER: PD6H113E 62HWWC**

Order housing, reflector and lamp separately for a complete luminaire.



**Housing**

**PD6H113** = 6 Inch horizontal  
(1) 13W DTT CFL  
**PD6CPH113** = 6 Inch horizontal  
(1) 13W DTT CFL,  
CCEA listed (Chicago Plenum)

**Ballast Option**

**E** = 120V - 277V 50/60Hz UNV  
**REM** = 120V/277V 60Hz dual-tap  
emergency battery ballast  
with remote test switch plate  
**3E** = 347V, 50/60Hz  
**EDMARK7** = 5% 0-10V discrete  
two-wire (13W) dimming, 120-277V  
**EDMARK7REM** = 5% 0-10V discrete  
two-wire (13W) dimming, 120-277V;  
with REM emergency option

**Reflector**

**62HWW** = 6" horizontal  
open wall wash

**Finish Option**

**C**=Specular Clear  
**G**=Specular Gold  
**H**=Semi Specular Clear  
**W**=White (White Flange)

**Flange Option**

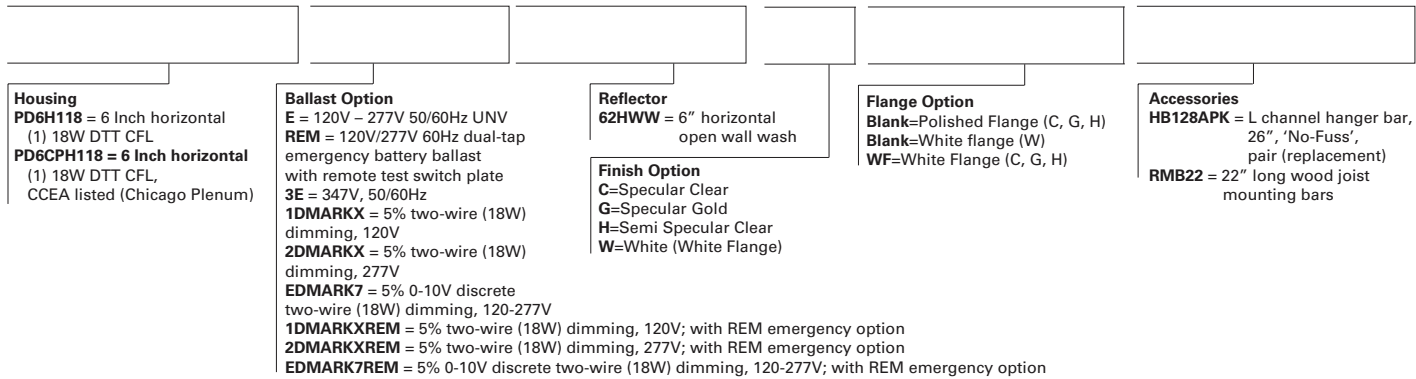
**Blank**=Polished Flange (C, G, H)  
**Blank**=White flange (W)  
**WF**=White Flange (C, G, H)

**Accessories**

**HB128APK** = L channel hanger bar,  
26", 'No-Fuss',  
pair (replacement)  
**RMB22** = 22" long wood joist  
mounting bars

**SAMPLE NUMBER: PD6H118E 62HWWC**

Order housing, reflector and lamp separately for a complete luminaire.



**Housing**

**PD6H118** = 6 Inch horizontal  
(1) 18W DTT CFL  
**PD6CPH118** = 6 Inch horizontal  
(1) 18W DTT CFL,  
CCEA listed (Chicago Plenum)

**Ballast Option**

**E** = 120V - 277V 50/60Hz UNV  
**REM** = 120V/277V 60Hz dual-tap  
emergency battery ballast  
with remote test switch plate  
**3E** = 347V, 50/60Hz  
**1DMARKX** = 5% two-wire (18W)  
dimming, 120V  
**2DMARKX** = 5% two-wire (18W)  
dimming, 277V  
**EDMARK7** = 5% 0-10V discrete  
two-wire (18W) dimming, 120-277V  
**1DMARKXREM** = 5% two-wire (18W) dimming, 120V; with REM emergency option  
**2DMARKXREM** = 5% two-wire (18W) dimming, 277V; with REM emergency option  
**EDMARK7REM** = 5% 0-10V discrete two-wire (18W) dimming, 120-277V; with REM emergency option

**Reflector**

**62HWW** = 6" horizontal  
open wall wash

**Finish Option**

**C**=Specular Clear  
**G**=Specular Gold  
**H**=Semi Specular Clear  
**W**=White (White Flange)

**Flange Option**

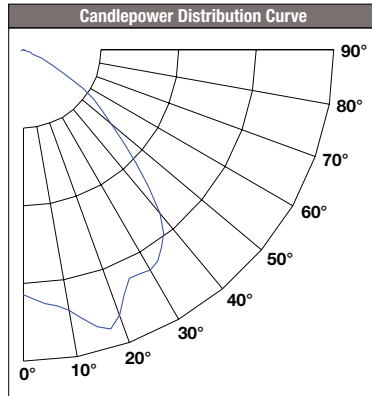
**Blank**=Polished Flange (C, G, H)  
**Blank**=White flange (W)  
**WF**=White Flange (C, G, H)

**Accessories**

**HB128APK** = L channel hanger bar,  
26", 'No-Fuss',  
pair (replacement)  
**RMB22** = 22" long wood joist  
mounting bars

## PHOTOMETRY

PD6H113E-62HWWC\_13DTT  
Spacing Criteria = 1.12  
Lumens per Watt = 35 LpW  
Test No. P31429  
Test Model: PD6H113E-62HWWC\_13DTT



| Candela Distribution |         |
|----------------------|---------|
| Degrees Vertical     | Candela |
| 0*                   | 237     |
| 5                    | 237     |
| 15                   | 227     |
| 25                   | 191     |
| 35                   | 146     |
| 45                   | 91      |
| 55                   | 50      |
| 65                   | 28      |
| 75                   | 12      |
| 85                   | 2       |
| 90                   | 0       |

\*CBCP

| Luminance<br>(Average Candela/M <sup>2</sup> ) |                   |
|--|-------------------|
| Degree   | Avg. 0° Luminance |
| 45   | 5036              |
| 55   | 3151              |
| 65   | 2123              |
| 75   | 1187              |
| 85   | 298               |

| Zonal Lumen Summary |        |        |           |
|---------------------|--------|--------|-----------|
| Zone                | Lumens | % Lamp | % Fixture |
| 0-30                | 215.01 | 23.90  | 38.30     |
| 0-40                | 354.82 | 39.40  | 63.20     |
| 0-60                | 537.14 | 59.70  | 95.70     |
| 0-90                | 561.55 | 62.40  | 100.00    |

| Single Unit Footcandles                              |     |     |     |     |   |
|--|-----|-----|-----|-----|---|
| 2.5' from wall<br>(distance from fixture along wall) |     |     |     |     |   |
|  | 1   | 2   | 3   | 4   | 5 |
| 1  | 1.2 | 0.9 | 0.4 | 0.1 |   |
| 2  | 3.9 | 3.4 | 1.7 | 0.5 |   |
| 3  | 5.1 | 4.6 | 3.2 | 1.7 |   |
| 4  | 4.5 | 4.0 | 3.2 | 2.0 |   |
| 5  | 3.3 | 3.0 | 2.6 | 2.0 |   |
| 6  | 2.2 | 2.2 | 2.0 | 1.6 |   |
| 7  | 1.5 | 1.5 | 1.4 | 1.3 |   |
| 8  | 1.1 | 1.1 | 1.1 | 0.9 |   |
| 9  | 0.8 | 0.8 | 0.8 | 0.7 |   |
| 10   | 0.6 | 0.6 | 0.6 | 0.6 |   |

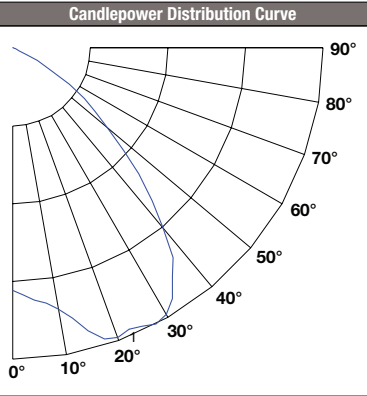
| Multiple Unit Footcandles                    |     |     |     |   |
|--|-----|-----|-----|---|
| 2.5' from wall<br>(spacing between fixtures) |     |     |     |   |
|  | 1   | 2   | 3   | 4 |
| 1  | 3.0 | 2.7 | 3.0 |   |
| 2  | 5.9 | 7.2 | 5.9 |   |
| 3  | 6.8 | 7.9 | 6.8 |   |
| 4  | 6.0 | 6.6 | 6.0 |   |
| 5  | 4.5 | 4.9 | 4.5 |   |
| 6  | 3.2 | 3.5 | 3.2 |   |
| 7  | 2.4 | 2.5 | 2.4 |   |
| 8  | 1.8 | 1.9 | 1.8 |   |
| 9  | 1.3 | 1.4 | 1.3 |   |
| 10   | 1.0 | 1.1 | 1.0 |   |

| Multiple Unit Footcandles                    |     |     |     |   |
|--|-----|-----|-----|---|
| 2.5' from wall<br>(spacing between fixtures) |     |     |     |   |
|  | 1   | 2   | 3   | 4 |
| 1  | 3.5 | 3.9 | 3.5 |   |
| 2  | 7.6 | 8.5 | 7.6 |   |
| 3  | 8.2 | 8.7 | 8.2 |   |
| 4  | 6.9 | 7.0 | 6.9 |   |
| 5  | 5.0 | 5.1 | 5.0 |   |
| 6  | 3.5 | 3.6 | 3.5 |   |
| 7  | 2.5 | 2.6 | 2.5 |   |
| 8  | 1.9 | 1.9 | 1.9 |   |
| 9  | 1.4 | 1.4 | 1.4 |   |
| 10   | 1.1 | 1.1 | 1.1 |   |

Beam diameter is to 50% of maximum footcandles, rounded to the nearest half-foot.  
Footcandle values are initial, apply appropriate light loss factors where necessary.

PHOTOMETRY (continued)

PD6H118E-62HWWC\_18DTT  
Spacing Criteria = 1.50  
Lumens per Watt = 34 LpW  
Test No. P31430  
Test Model: PD6H118E-62HWWC\_18DTT



| Candela Distribution |         |
|----------------------|---------|
| Degrees Vertical     | Candela |
| 0*                   | 280     |
| 5                    | 289     |
| 15                   | 312     |
| 25                   | 308     |
| 35                   | 255     |
| 45                   | 164     |
| 55                   | 71      |
| 65                   | 28      |
| 75                   | 11      |
| 85                   | 1       |
| 90                   | 0       |

\*CBCP

| Luminance            |                   |
|----------------------|-------------------|
| (Average Candela/M²) |                   |
| Degree               | Avg. 0° Luminance |
| 45                   | 9077              |
| 55                   | 4474              |
| 65                   | 2123              |
| 75                   | 1088              |
| 85                   | 149               |

| Zonal Lumen Summary |        |        |           |
|---------------------|--------|--------|-----------|
| Zone                | Lumens | % Lamp | % Fixture |
| 0-30                | 272.12 | 22.70  | 38.70     |
| 0-40                | 453.31 | 37.80  | 64.40     |
| 0-60                | 679.45 | 56.60  | 96.50     |
| 0-90                | 703.96 | 58.70  | 100.00    |

| Single Unit Footcandles                              |     |     |     |     |   |
|--|-----|-----|-----|-----|---|
| 2.5' from wall<br>(distance from fixture along wall) |     |     |     |     |   |
|  | 1   | 2   | 3   | 4   | 5 |
| 1  | 1.1 | 0.8 | 0.3 | 0.1 |   |
| 2  | 4.6 | 3.8 | 1.5 | 0.5 |   |
| 3  | 9.3 | 7.6 | 4.5 | 2.0 |   |
| 4  | 7.9 | 7.0 | 5.0 | 2.8 |   |
| 5  | 5.4 | 5.1 | 4.2 | 2.9 |   |
| 6  | 3.5 | 3.5 | 3.1 | 2.4 |   |
| 7  | 2.3 | 2.3 | 2.2 | 1.9 |   |
| 8  | 1.6 | 1.6 | 1.6 | 1.4 |   |
| 9  | 1.1 | 1.2 | 1.1 | 1.1 |   |
| 10   | 0.8 | 0.8 | 0.8 | 0.8 |   |

| Multiple Unit Footcandles                    |      |      |      |   |
|--|------|------|------|---|
| 2.5' from wall<br>(spacing between fixtures) |      |      |      |   |
|  | 1    | 2    | 3    | 4 |
| 1  | 2.8  | 2.6  | 2.8  |   |
| 2  | 8.4  | 9.7  | 8.4  |   |
| 3  | 11.6 | 12.8 | 11.6 |   |
| 4  | 9.5  | 10.9 | 9.5  |   |
| 5  | 7.0  | 8.0  | 7.0  |   |
| 6  | 5.0  | 5.5  | 5.0  |   |
| 7  | 3.6  | 3.8  | 3.6  |   |
| 8  | 2.6  | 2.7  | 2.6  |   |
| 9  | 1.9  | 2.0  | 1.9  |   |
| 10   | 1.4  | 1.5  | 1.4  |   |

| Multiple Unit Footcandles                    |      |      |      |   |
|--|------|------|------|---|
| 2.5' from wall<br>(spacing between fixtures) |      |      |      |   |
|  | 1    | 2    | 3    | 4 |
| 1  | 3.4  | 3.7  | 3.4  |   |
| 2  | 10.6 | 13.1 | 10.6 |   |
| 3  | 14.2 | 15.2 | 14.2 |   |
| 4  | 11.2 | 12.1 | 11.2 |   |
| 5  | 8.0  | 8.4  | 8.0  |   |
| 6  | 5.5  | 5.7  | 5.5  |   |
| 7  | 3.8  | 3.9  | 3.8  |   |
| 8  | 2.7  | 2.7  | 2.7  |   |
| 9  | 1.9  | 2.0  | 1.9  |   |
| 10   | 1.4  | 1.5  | 1.4  |   |

Beam diameter is to 50% of maximum footcandles, rounded to the nearest half-foot.  
Footcandle values are initial, apply appropriate light loss factors where necessary.

Note: Specifications and Dimensions subject to change without notice.