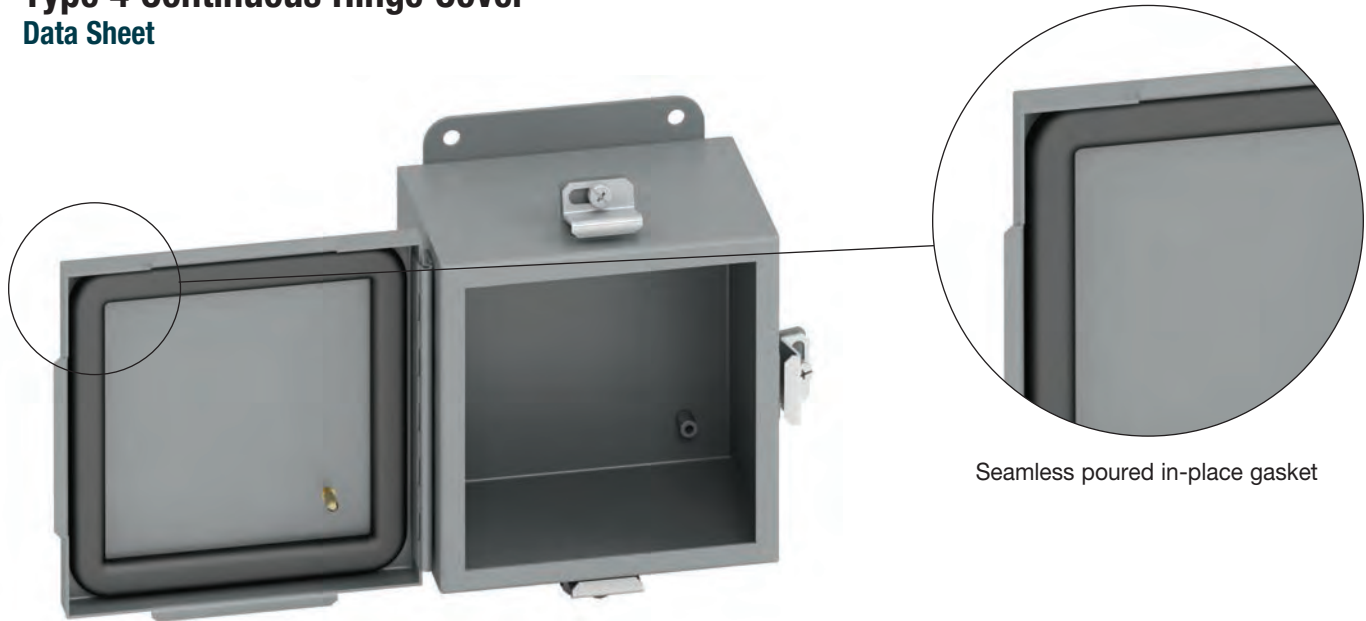


Type 4 Panel Enclosures

JIC Enclosures

Type 4 Continuous Hinge Cover

Data Sheet



Seamless poured in-place gasket

Application

- Houses electrical controls and instruments
- Intended for indoor or outdoor use
- Protects against windblown dust and rain, splashing water and hose directed water

Standards

- UL 508 listed, Type 4, Type 12 and Type 13
- CSA C22.2 No.94 certified, Type 4, Type 12 and Type 13
- Conforms to NEMA standard for Type 4, Type 12 and Type 13
- Conforms to JIC standard EGP-1-1967

Finish

- Wash and phosphate undercoat
- ANSI 61 gray polyester powder finish

Accessories

- Panels
- JIC terminal strap kit
- JIC terminal strip kit
- Terminal blocks
- Touch-up paint
- See Accessories section

Construction

- Enclosure and cover are fabricated from (16) gauge steel
- All continuous welded seams are finished smooth
- Cover is secured to the body with a continuous hinge on one side and easy-to-operate stainless steel screw clamps mounted to the opposite side
- Stainless steel hinge pin
- Cover has a seamless poured in-place gasket
- Ground stud provided on cover
- #10-32 weldnuts are provided for mounting optional panel on 6" x 4" and larger enclosures
- External mounting feet are provided for secure wall mounting

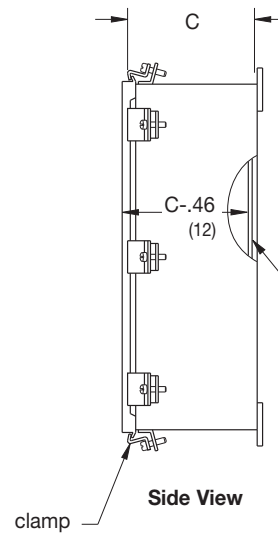
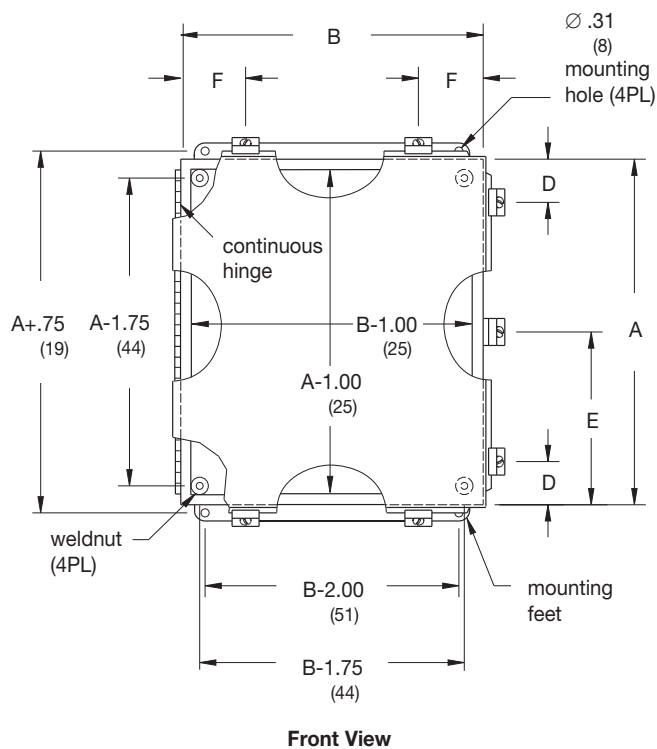
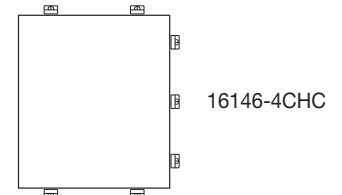
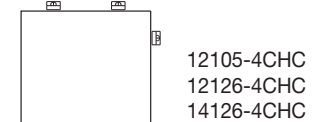
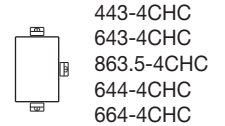
Discount Schedule: C2

Subclass: DC0

Notes: Cooper B-Line can provide special sizes, finishes and other modifications. Consult the factory for your special requirements.

JIC Enclosures Type 4 Continuous Hinge Cover Illustration Sheet and Catalog Number

Enclosure Catalog Number	Enclosure Size Height x Width x Depth A x B x C		D		E		F		Panel Catalog Number		Panel Size Height x Width	
	in.	mm	in.	mm	in.	mm	in.	mm	Steel	Conductive	in.	mm
443-4CHC	4.00 x 4.00 x 3.00	102 x 102 x 76	2.00	51	-	-	2.00	51	-	-	-	-
643-4CHC	6.00 x 4.00 x 3.00	152 x 102 x 76	3.00	76	-	-	2.00	51	AW64P	AW64GP	4.87 x 2.87	124 x 73
863.5-4CHC	8.00 x 6.00 x 3.50	203 x 152 x 89	4.00	102	-	-	3.00	76	AW86P	AW86GP	6.87 x 4.87	174 x 124
644-4CHC	6.00 x 4.00 x 4.00	152 x 102 x 102	3.00	76	-	-	2.00	51	AW64P	AW64GP	4.87 x 2.87	124 x 73
664-4CHC	6.00 x 6.00 x 4.00	152 x 152 x 102	3.00	76	-	-	3.00	76	AW66P	AW66GP	4.87 x 4.87	124 x 124
1084-4CHC	10.00 x 8.00 x 4.00	254 x 203 x 102	2.00	51	-	-	4.00	102	AW108P	AW108GP	8.87 x 6.87	225 x 174
12105-4CHC	12.00 x 10.00 x 5.00	305 x 254 x 127	3.00	76	-	-	2.00	51	AW1210P	AW1210GP	10.87 x 8.87	276 x 225
1086-4CHC	10.00 x 8.00 x 6.00	254 x 203 x 152	2.00	51	-	-	4.00	102	AW108P	AW108GP	8.87 x 6.87	225 x 174
12126-4CHC	12.00 x 12.00 x 6.00	305 x 305 x 152	3.00	76	-	-	3.00	76	AW1212P	AW1212GP	10.87 x 10.87	276 x 276
14126-4CHC	14.00 x 12.00 x 6.00	356 x 305 x 152	3.00	76	-	-	3.00	76	AW1412P	AW1412GP	12.87 x 10.87	327 x 276
16146-4CHC	16.00 x 14.00 x 6.00	406 x 356 x 152	2.00	51	8.00	203	3.00	76	AW1614P	AW1614GP	14.87 x 12.87	378 x 327



Cover Clamp Layout

Notes: Dimensions are in inches. Millimeters shown are for reference only. Data subject to change without notice.

Type 4 Panel Enclosures

JIC Enclosures

Type 4 Continuous Hinge Cover with Quarter-Turn Latches

Data and Illustration Sheet



Application

- Houses electrical controls and instruments
- Intended for indoor or outdoor use
- Protects against windblown dust and rain, splashing water and hose directed water

Standards

- UL 508 Listed, Type 4, 12
- CSA C22.2 No.94 certified, Type 4, 12
- Conforms to NEMA Standards for Type 3, 4, 12
- Conforms to JIC standards EGP-1-1967

Finish

- Wash and phosphate undercoat
- ANSI 61 gray polyester powder finish

Accessories

- Panels
- Swing-out panel kits
- JIC terminal kits
- Window kits
- Locks and latches

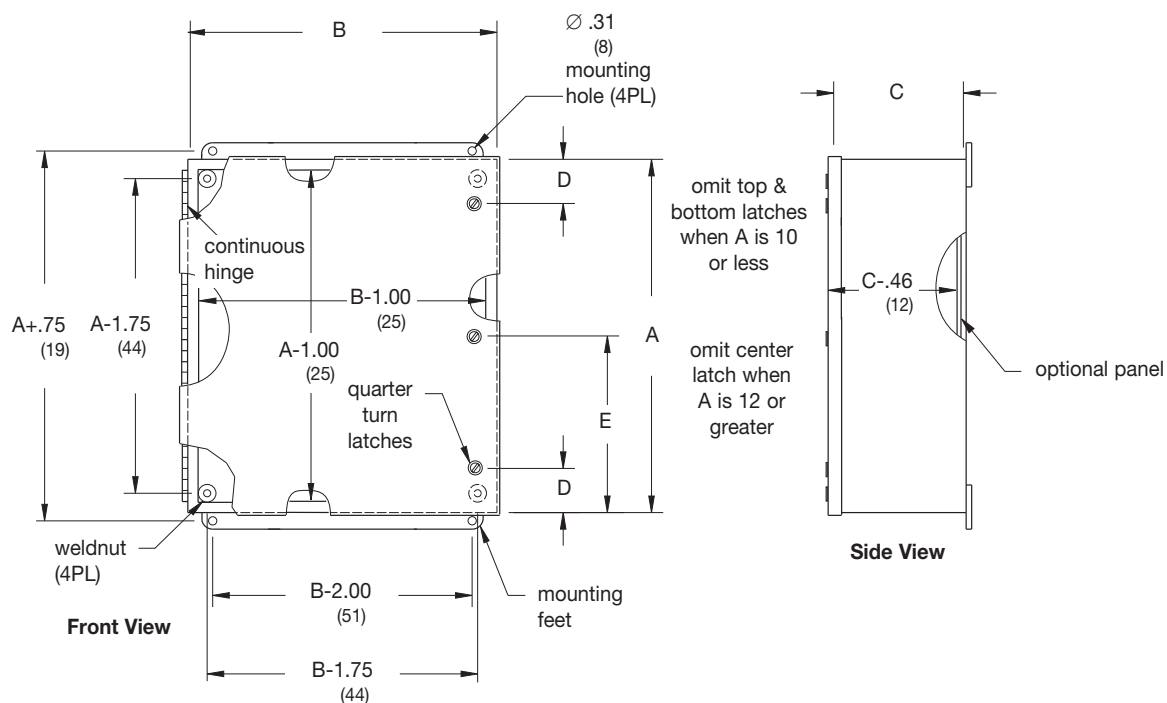
Construction

- Enclosure and cover are fabricated from (16) Gauge Steel
- All continuous welded seams are finished smooth
- Continuous hinge with stainless steel hinge pin
- Slotted quarter-turn flush latch(es)
- Cover has a seamless poured in-place gasket
- Ground stud provided on cover
- #10-32 weldnuts are provided for mounting optional panel on 6" x 4" and larger enclosures
- External mounting feet

Discount Schedule: C2

Subclass: DC0

Type 4 Panel Enclosures



Notes: Cooper B-Line can provide special sizes, finishes and other modifications. Consult the factory for your special requirements.

JIC Enclosures

Type 4 Continuous Hinge Cover with Quarter-Turn Latches

Illustration Sheet and Catalog Number

Enclosure Catalog Number	Enclosure Size Height x Width x Depth A x B x C		D		E		Panel Catalog Number	Conductive Catalog Number	Panel Size Panel Height x Width	
	in.	mm	in.	mm	in.	mm			in.	mm
443-4QT	4 x 4 x 3	101 x 101 x 76	-	-	2	51	-	-	-	-
643-4QT	6 x 4 x 3	152 x 101 x 76	-	-	3	76	AW64P	AW64GP	4.87 x 2.87	123 x 73
863.5-4QT	8 x 6 x 3.5	203 x 152 x 89	-	-	4	101	AW86P	AW86GP	6.87 x 4.87	174 x 123
864-4QT	8 x 6 x 4	203 x 152 x 101	-	-	4	101	AW86P	AW86GP	6.87 x 4.87	174 x 123
444-4QT	4 x 4 x 4	101 x 101 x 101	-	-	2	51	-	-	-	-
644-4QT	6 x 4 x 4	152 x 101 x 101	-	-	3	76	AW64P	AW64GP	4.87 x 2.87	123 x 73
664-4QT	6 x 6 x 4	152 x 152 x 101	-	-	3	76	AW66P	AW66GP	4.87 x 4.87	123 x 123
884-4QT	8 x 8 x 4	203 x 203 x 101	-	-	4	101	AW88P	AW88GP	6.87 x 6.87	174 x 174
1084-4QT	10 x 8 x 4	254 x 203 x 101	-	-	5	127	AW108P	AW108GP	8.87 x 6.87	225 x 174
1264-4QT	12 x 6 x 4	305 x 152 x 101	3	76	-	-	AW126P	-	10.87 x 4.87	276 x 123
12105-4QT	12 x 10 x 5	305 x 254 x 127	3	76	-	-	AW1210P	AW1210GP	10.87 x 8.87	276 x 225
866-4QT	8 x 6 x 6	203 x 152 x 152	-	-	4	101	AW86P	AW86GP	6.87 x 4.87	174 x 123
886-4QT	8 x 8 x 6	203 x 203 x 152	-	-	4	101	AW88P	AW88GP	6.87 x 6.87	174 x 174
1086-4QT	10 x 8 x 6	254 x 203 x 152	-	-	5	127	AW108P	AW108GP	8.87 x 6.87	225 x 174
10106-4QT	10 x 10 x 6	254 x 254 x 152	-	-	5	127	AW1010P	AW1010GP	8.87 x 8.87	225 x 225
12106-4QT	12 x 10 x 6	305 x 254 x 152	3	76	-	-	AW1210P	AW1210GP	10.87 x 8.87	276 x 225
12126-4QT	12 x 12 x 6	305 x 305 x 152	3	76	-	-	AW1212P	AW1212GP	10.87 x 10.87	276 x 276
1486-4QT	14 x 8 x 6	355 x 203 x 152	3	76	-	-	AW148P	-	12.87 x 6.87	327 x 174
14126-4QT	14 x 12 x 6	355 x 305 x 152	3	76	-	-	AW1412P	AW1412GP	12.87 x 10.87	327 x 276
16106-4QT	16 x 10 x 6	406 x 254 x 152	3	76	-	-	AW1610P	-	14.87 x 8.87	377 x 225
16146-4QT	16 x 14 x 6	406 x 355 x 152	3	76	-	-	AW1614P	AW1614GP	14.87 x 12.87	377 x 327
12108-4QT	12 x 10 x 8	305 x 254 x 203	3	76	-	-	AW1210P	AW1210GP	10.87 x 8.87	276 x 225
14128-4QT	14 x 12 x 8	355 x 305 x 203	3	76	-	-	AW1412P	AW1412GP	12.87 x 10.87	327 x 276
16148-4QT	16 x 14 x 8	406 x 355 x 203	3	76	-	-	AW1614P	AW1614GP	14.87 x 12.87	377 x 327
161410-4QT	16 x 14 x 10	406 x 355 x 254	3	76	-	-	AW1614P	AW1614GP	14.87 x 12.87	377 x 327

Type 4 Panel Enclosures

Quarter-Turn Latch Layout



- | | |
|-----------|-----------|
| 443-4QT | 884-4QT |
| 643-4QT | 866-4QT |
| 863.5-4QT | 886-4QT |
| 864-4QT | 1084-4QT |
| 444-4QT | 1086-4QT |
| 644-4QT | 10106-4QT |
| 664-4QT | |



- | | |
|-----------|------------|
| 1264-4QT | 16106-4QT |
| 12105-4QT | 16146-4QT |
| 12106-4QT | 12108-4QT |
| 12126-4QT | 14128-4QT |
| 1486-4QT | 16148-4QT |
| 14126-4QT | 161410-4QT |

Notes: Dimensions are in inches. Millimeters shown are for reference only. Data subject to change without notice.