



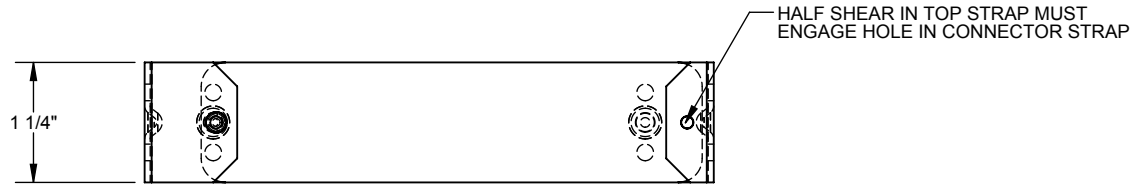
Catalog Number: 66GC
Item Description: WIREWAY ACCESSORY
UPC Code: 784572108370

Brand Name: Milbank
Type: Wireway Connector
Application: Wireway Accessory
Standard: UL Listed, Type 1
Cover Type: Screw Cover
Enclosure: Indoor Enclosure
Nominal Cross Section: 6x6
Material: Steel with Powder Coat Finish
Finish: ANSI 61 Gray
Knockouts: False

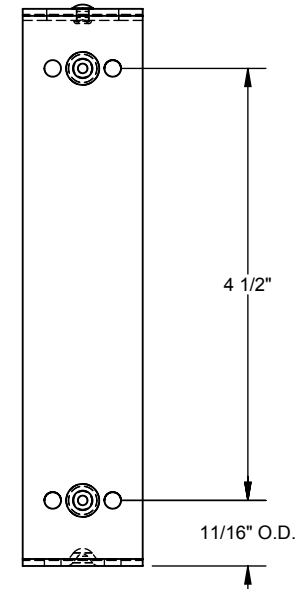
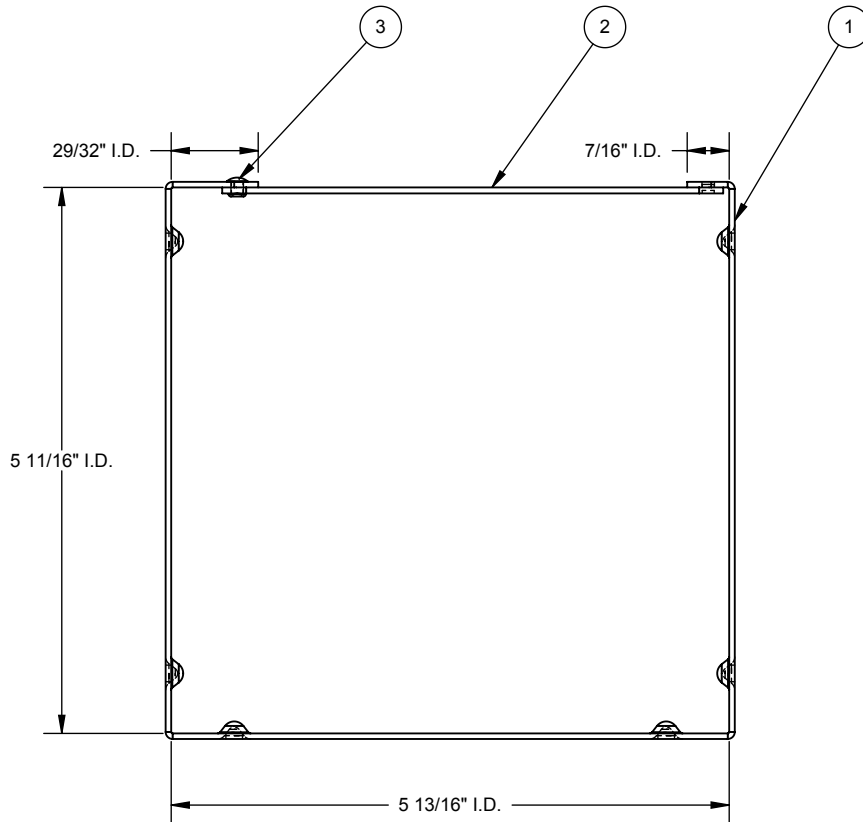


Utility requirements may vary. Always consult the serving utility for their requirements prior to ordering or installing this equipment. This product must always be installed by a licensed electrician. Installation of this equipment may require local electrical inspector approval.


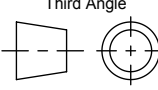
ITEM	QTY.	PART NUMBER	DESCRIPTION
1	1	1002325	CONN. STRAP FOR 66GC
2	1	1002324	TOP STRAP
3	1	1000040	RIVET .125 X .218
4	0.02	1002968	CARTON 50-PER (NOT SHOWN)



CATALOG NO.	M2K #
66GC	#1003170
RC-66GC	#1125203
SPC-66	#1133202



NEMA NUMBER.: #306

Material:	16 GA. STEEL		 General Offices: Kansas City, MO
Shear/ Die#:			
Finish:			Title:
Part Wt.:			CONNECTOR FOR 6 X 6 WIREWAY
Tolerances: Unless Specified Otherwise X.X ±.1 X.XX ±.03 X.XXX ±.015 X* ±2*		Third Angle 	Catalog No.:
Scale:		NTS	(SEE CHART)
Checked By:			Customer:
Approved By:			Drawing No.:
Date:		3-20-13	1003170
Sheet		1 of 1	

REV.	DATE	DESCRIPTION	BY
F1	3-20-13	REDRAWN IN SW; UPDATED TO M2K; DWG NUMBER WAS 306 (ECO #23667)	DL