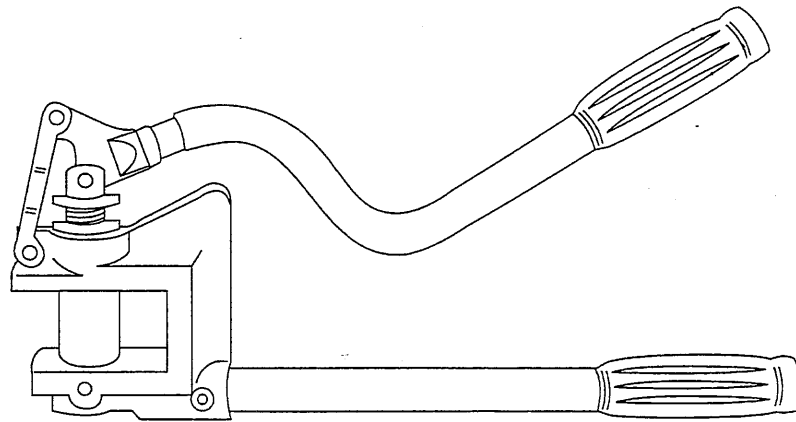


# INSTRUCTION MANUAL



## 709 / 710 STUD PUNCH



**Read and understand** all of the instructions and safety information in this manual before operating or servicing this tool.

## IMPORTANT SAFETY INFORMATION



### SAFETY ALERT SYMBOL

This symbol is used to call your attention to hazards or unsafe practices which could result in an injury or property damage. The signal word, defined below, indicates the severity of the hazard. The message after the signal word provides information for preventing or avoiding the hazard.

#### **⚠ DANGER**

Immediate hazards which, if not avoided, **WILL** result in severe injury or death.

#### **⚠ WARNING**

Hazards which, if not avoided, **COULD** result in severe injury or death.

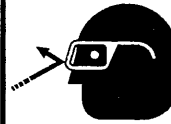
#### **⚠ CAUTION**

Hazards or unsafe practices which, if not avoided, **MAY** result in injury or property damage.



#### **⚠ WARNING**

Electric shock hazard. This is not an insulated tool. Contact with live circuits can result in severe injury or death.



#### **⚠ WARNING**

Wear eye protection when using this tool.  
Failure to wear eye protection can result in serious eye injury from flying debris.

#### **⚠ CAUTION**

Do not add extensions (cheaters) to the handles. Using excessive force can result in injury or damage to the tool. If excessive force is required to complete a punch, verify that the type and thickness of material do not exceed the capacity of the tool.

#### **⚠ CAUTION**

- Inspect the tool prior to use. Replace worn, damaged or missing components with Greenlee replacement parts. A damaged or improperly assembled tool can break.
- Use this tool for manufacturer's intended use only. Use other than that which is described in this manual can result in injury or damage to the tool.

#### **IMPORTANT**

Do not use on heavier than 20 gauge mild steel.

## KEEP THIS MANUAL

## Description

Greenlee Stud Punches are intended to punch round holes in 20 gauge steel studs. The 709 punches a 7/8" (22.5 mm) diameter hole; the 710 punches a 1-11/32" (34.1 mm) hole.

## Purpose

This instruction manual is intended to familiarize operators and maintenance personnel with the safe operation and maintenance procedures for the Greenlee Stud Punches. This manual should be kept available to all operating and maintenance personnel.

## Safety

Safety is essential in the use and maintenance of Greenlee tools and equipment. This instruction manual and any decals on the tool provide information for avoiding hazards and unsafe practices related to the use of this tool. Observe all of the safety information provided.

## Operation

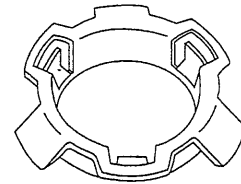
Position the punch on the metal stud. Squeeze the handles together. The slug will fall free when the hole is complete.

*Note: This tool will punch to its rated capacity with approximately 80 pounds of handle force. If excessive force is required, stop and inspect the tool and the material.*

## Bushings

Bushings are available for the holes punched by the Stud Punches. Bushings protect wire insulation from the sharp edges of the metal stud.

Use Greenlee 711 Bushings for 22.5 mm (7/8") holes made by the 709 Stud Punch. Use 712 Bushings for 34.1 mm (1-11/32") holes made by the 710.



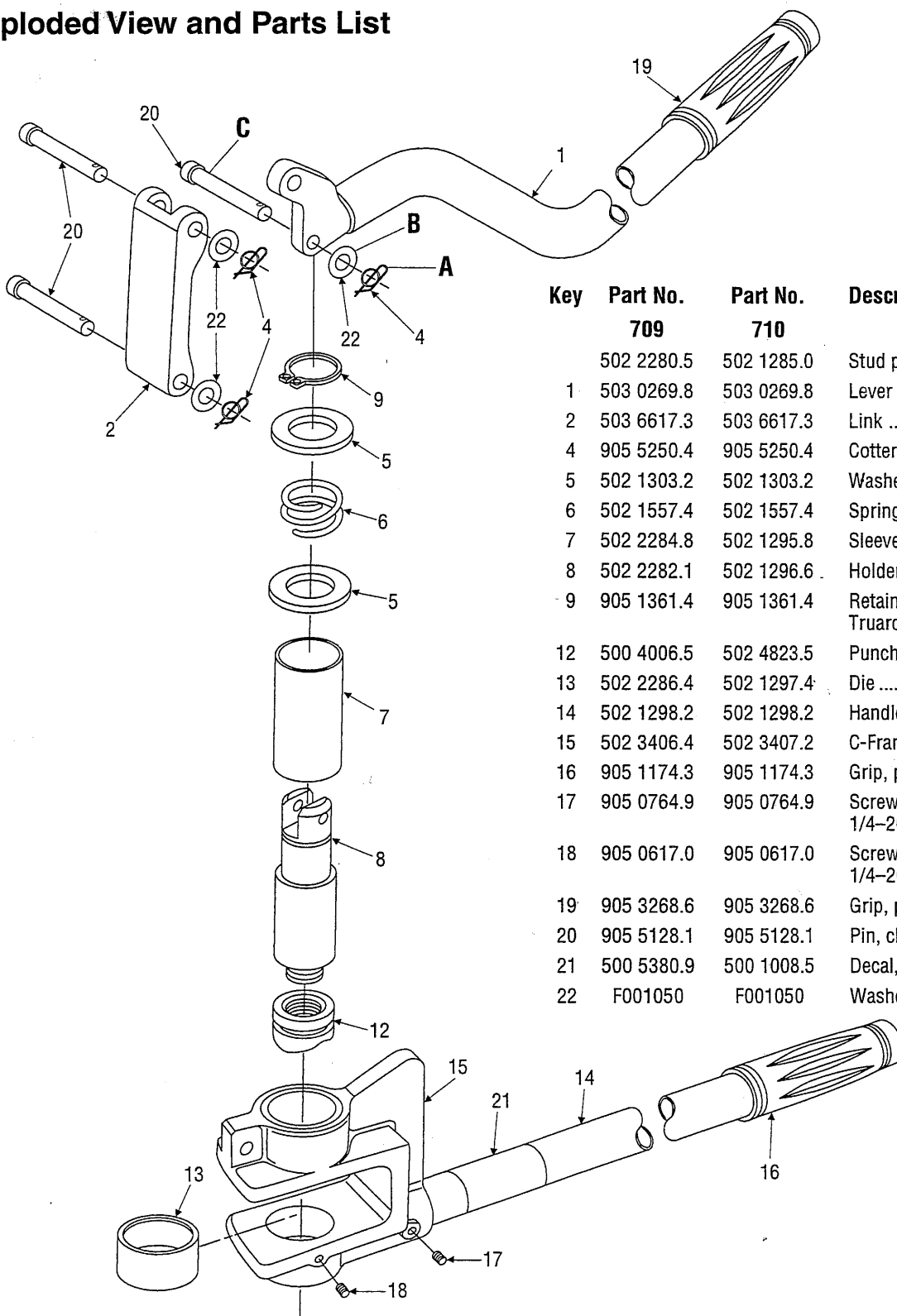
## Maintenance

Lubricate all moving parts with a lightweight oil.

To replace the punch, remove one Rue Ring (A) and washer (B) from the clevis pin (C), and remove the clevis (C) pin from the punch holder (8). Remove the entire punch holder shaft and sleeve from the C-frame. Depress the sleeve and unscrew the punch from the punch holder.

# GREENLEE® 709 / 710 Stud Punch

## Exploded View and Parts List



Key	Part No. 709	Part No. 710	Description	Qty.
	502 2280.5	502 1285.0	Stud punch complete	
1	503 0269.8	503 0269.8	Lever unit (includes #19) .....	1
2	503 6617.3	503 6617.3	Link .....	1
4	905 5250.4	905 5250.4	Cotter, Rue ring .....	3
5	502 1303.2	502 1303.2	Washer, flat .968 x 1.62 x .062 ...	2
6	502 1557.4	502 1557.4	Spring, compression .....	1
7	502 2284.8	502 1295.8	Sleeve .....	1
8	502 2282.1	502 1296.6	Holder, punch .....	1
9	905 1361.4	905 1361.4	Retaining ring, .865 Truarc #5100-93-S-PP .....	1
12	500 4006.5	502 4823.5	Punch, conduit .....	1
13	502 2286.4	502 1297.4	Die .....	1
14	502 1298.2	502 1298.2	Handle .....	1
15	502 3406.4	502 3407.2	C-Frame unit .....	1
16	905 1174.3	905 1174.3	Grip, polyvinyl .....	1
17	905 0764.9	905 0764.9	Screw, set 1/4-20 x .375 socket .....	1
18	905 0617.0	905 0617.0	Screw, set, 1/4-20 x .250 socket .....	1
19	905 3268.6	905 3268.6	Grip, polyvinyl .....	1
20	905 5128.1	905 5128.1	Pin, clevis .....	3
21	500 5380.9	500 1008.5	Decal, identification .....	1
22	F001050	F001050	Washer .....	3

## GREENLEE **TEXTRON**

Greenlee Textron / Subsidiary of Textron Inc.

4455 Boeing Drive, Rockford, IL 61109-2988 USA

Customer Service (International): 815/397-7070 • Fax: 815/397-9247

Customer Service (North America): 800/435-0786 • Fax: 800/451-2632, 815/397-1865

Canada Fax: 800/524-2853

Printed in the U.S.A.