



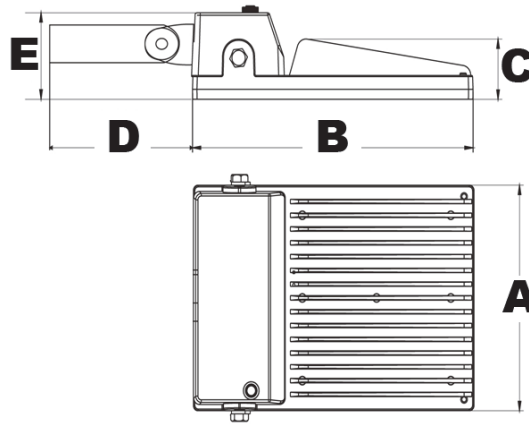
71312
Full Bracket



71313
1/2" Adjustable Knuckle



71314
2-3/8" Slip Fitter



- ▶ Cree XTE LED's
- ▶ Integral Cooling Fin Releases Heat Efficiently to Maintain the Life of LED's & LED Driver
- ▶ Corrosion Resistant Die Cast Aluminum Housing
- ▶ Tempered Glass Lens
- ▶ Anodized Aluminum Reflector
- ▶ Superior Architectural Bronze Powder Coat Finish
- ▶ Stainless Steel Hardware
- ▶ Photoeye not included

- ▶ Voltage: 120/208/240/277VAC
- ▶ Color Temperature: 4700K Cool White
- ▶ CRI: 72+
- ▶ Light Pattern: 120° Beam Angle
- ▶ Operation Temperature: -22°F to 104°F
- ▶ 60,000+ Hour LED Life Expectancy
- ▶ Weight: 7.1 Lbs
- ▶ IP65 (NEMA 4X) Dust & Water Tight
- ▶ cULus Listed for Wet Locations
- ▶ DLC Listed
- ▶ 5 Year Warranty

Cat. No.	Mounting	Watts	Delivered Lumens	Metal Halide Equivalent	Number of LED's	Dimensions (Inches)					Case Qty
						A	B	C	D	E	
71312	Full Bracket	47	3628	150W-200W	20	7"	10"	1-7/8"	1-7/8"	2-3/4"	6
71313	1/2" Adj. Knuckle	47	3628	150W-200W	20	7"	10"	1-7/8"	2-3/4"	2-3/4"	6
71314	2-3/8" Slip Fitter	47	3628	150W-200W	20	7"	10"	1-7/8"	6-1/2"	2-3/4"	6