

DESCRIPTION

Fresnel glass lens trim in the 6" trim family for use in recessed downlighting.

Catalog #		Type
Project		
Comments		Date
Prepared by		

SPECIFICATION FEATURES

White trim with fresnel glass lens. PS version is wet location listed for use in showers. Non-conductive, non-corrosive polymer trim ring. Uses torsion spring retention, available in white.

Lamp Listings - Incandescent

H7T	60W A19
H7TCP	
H7RT	
H27T	40W A19
H7UICAT	
H7UICT	

Lamp Listings - GU24

H724ICAT	CF15/R30/GU24
H724ICATL	
H724RICAT	CF13/GU24 (spiral)
H724RICATL	

Lamp Listings - CFL (4-Pin)

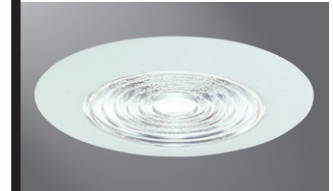
H274E	13W TTT/13W DTT
H276E	
H270ICAT	
H270RICAT	

Lamp Listings - CFL (4-Pin)

H280E	18W TTT/18W DTT
H280EEEM	
H280EICAT	
H280EL	
H280ELICAT	
H283E	
H283EL	
H271ICAT	
H271RICAT	26W TTT/26W DTT
H285E	
H285EEEM	
H285EEML	
H285EICAT	
H285EL	
H285ELICAT	
H287E	
H287EL	



73P
White Trim, Fresnel Glass Lens

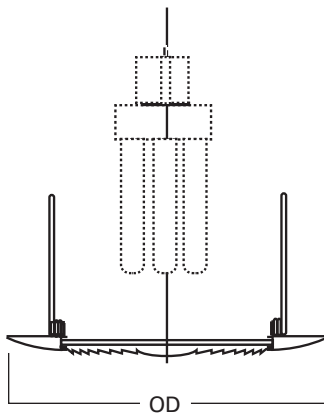


73PS
White Trim, Fresnel Glass Lens,
Wet Location Listed

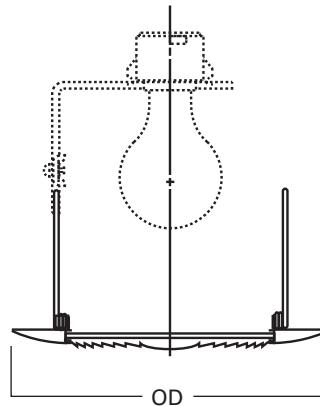
73

6-Inch Fresnel Glass Lens

**"Dead Front"
Non-Conductive
trim ring and glass lens**



Outside Diameter: 8" [203mm]



ORDERING INFORMATION

Trim	Finish
<input type="text"/>	<input type="text"/>
73 = 6" Fresnel Lens	P = White trim ring with fresnel glass lens PS = White trim ring with fresnel glass lens, wet location listed