

tapTronic™

LEDVANCE NFC LED Drivers

Programmable Constant Current Dimmable Compact, Linear and Outdoor Type

Field-Programmable, Near-Field Communication (NFC) LED Drivers. This family covers linear, compact, and outdoor drivers. These drivers are available in the industry’s most desirable wattages. Our programming software app can be downloaded in seconds on any smartphone. The programming is easy and simple to follow.

Applications

Compact

- Pendants
- Home and décor
- Spotlights
- Downlights

Linear

- Wall and ceiling
- Surface-mounted
- Suspended luminaires
- Recessed

Outdoor

- Area lights
- Industrial highbays
- Wall packs
- Décor landscape
- Cobraheads
- Bollards
- Hazardous locations



Benefits and Features

- Field-programmable via free app
- Programming does not require driver to be powered up
- Quick and easy output customization:
 - Current
 - Dim to off – dim range %
 - Constant lumen output
 - Soft start
 - End of life
 - Thermal protection
- Compact: 25W and 40W both F-can and J-can housing style
- Linear: 120-277V, 120-347V models
- Outdoor: 120-277V, 347V-480V models

Warranty

- 5-year
- NLB Trusted Warranty Program

Unique selling points

- Field-programmable – your installers will thank you
- Near-field communication interface
- LEDVANCE’s own tapTronic software
- Large programmable range from each driver, ideal when consolidating your on-hand inventory from in-house or in a service truck. Customize their output in seconds

Product Ratings

- Compliant to 47 CFR, Part 15 Class A
- cUL class P
- UL Class 2 output for safety (Compact/Linear)
- RoHs
- FCC
- TAA (Linear 120-277V only)
- Compliant with CA T-24 requirement for flicker and startup time

Download tapTronic Software App



Catalog #	Type
Project	
Comments	
Prepared by	

Ordering Guide

LEDrv	XX	XXX	X	XXX0	DIMX	AUX12	P6	NFC
LEDVANCE Driver tapTronic	Output wattage 25 = 25W 36 = 36W 40 = 40W 55 = 55W 85 = 85W 88 = 88W 100 = 100W 180 = 180W	Input Voltage 120-277 UNV=120-227V UNH=120-347V HUV=347-480V	Type C = Compact L = Linear Blank = Outdoor	Output Current (Max) 1000 = 1000mA 1050 = 1050mA 1250 = 1250mA 1300 = 1300mA 1400 = 1400mA 2300 = 2300mA 2400 = 2400mA	0-10V Dimming DIM = 10% dimming DIM1 = 1% dimming	Auxiliary Output AUX12 = 12V	P6= IP66 (Outdoor)	Near-Field Programmable

Ordering Information

Item Number	Ordering Abbreviation	Total Output Power (W)	Output Current Range (Programmable)	Default Current	Output Voltage Range (Voc)	Dimming Control	Dimming Range	Aux	Line Transient
Compact									
75850	LEDrv25UNVC1250DIM1AUX12NFC	25	150-1250mA	500mA	8-55	0-10V	1-100%	12V	ANSI C62.41 Cat. A 2.5kV
75851	LEDrv25UNVC1250DIM1JAX12NFC	25	150-1250mA	500mA	8-55	0-10V	1-100%	12V	ANSI C62.41 Cat. A 2.5kV
75852	LEDrv40UNVC1400DIM1AUX12NFC	40	400-1400mA	700mA	8-55	0-10V	1-100%	12V	ANSI C62.41 Cat. A 2.5kV
75853	LEDrv40UNVC1400DIM1JAX12NFC	40	400-1400mA	700mA	8-55	0-10V	1-100%	12V	ANSI C62.41 Cat. A 2.5kV
Linear									
75856	LEDrv36UNVL1000DIM1AUX12NFC	36	100-1000mA	500mA	20-48	0-10V	1-100%	12V	ANSI C62.41 Cat. A 2.5kV
75857	LEDrv55UNVL1300DIM1AUX12NFC	55	130-1300mA	700mA	20-48	0-10V	1-100%	12V	ANSI C62.41 Cat. A 2.5kV
75858	LEDrv88UNVL2400DIM1AUX12NFC	88	240-2400mA	1400mA	24-48	0-10V	1-100%	12V	ANSI C62.41 Cat. A 2.5kV
75896	LEDrv30UNHL1050DIM1AUXNFC	30	105-1050mA	105mA	8-55	0-10V	1-100%	12, 24V	ANSI C62.41 Cat. A 2.5kV
75897	LEDrv50UNHL1400DIM1AUXNFC	50	140-1400mA	140mA	8-55	0-10V	1-100%	12, 24V	ANSI C62.41 Cat. A 2.5kV
75898	LEDrv85UNHL2300DIM1AUXNFC	85	230-2300mA	230mA	8-55	0-10V	1-100%	12, 24V	ANSI C62.41 Cat. B 6kV
Outdoor									
75854	LEDrv100UNV1250DIMAUX12P6NFC	100	350-1250mA	350mA	50-185	0-10V	10-100%	12V	ANSI C62.41 Cat. B 6kV
75855	LEDrv180UNV1250DIMAUX12P6NFC	180	350-1250mA	350mA	70-280	0-10V	10-100%	12V	ANSI C62.41 Cat. B 6kV
75887	LEDrv100HUV1250DIMAUX12P6NFC	100	350-1250mA	350mA	50-185	0-10V	10-100%	12V	ANSI C62.41 Cat. B 6kV
75888	LEDrv180HUV1250DIMAUX12P6NFC	180	350-1250mA	350mA	70-280	0-10V	10-100%	12V	ANSI C62.41 Cat. B 6kV

Electrical Specifications

Item Number	Ordering Abbreviation	Max. Output Power (W)	Input Voltage (Vac)	Frequency	Power Factor	THD	Efficiency	Environmental Rating	UL File #
Compact									
75850	LEDrv25UNVC1250DIM1AUX12NFC	25	120-277	50/60Hz	>0.9	<20%	>87%	Dry & Damp (IP20)	E495305
75851	LEDrv25UNVC1250DIM1JAX12NFC	25	120-277	50/60Hz	>0.9	<20%	>87%	Dry & Damp (IP20)	E495305
75852	LEDrv40UNVC1400DIM1AUX12NFC	40	120-277	50/60Hz	>0.9	<20%	>87%	Dry & Damp (IP20)	E495305
75853	LEDrv40UNVC1400DIM1JAX12NFC	40	120-277	50/60Hz	>0.9	<20%	>87%	Dry & Damp (IP20)	E495305
Linear									
75856	LEDrv36UNVL1000DIM1AUX12NFC	36	120-277	50/60Hz	>0.9	<20%	>86%	Dry & Damp (IP20)	E495305
75857	LEDrv55UNVL1300DIM1AUX12NFC	55	120-277	50/60Hz	>0.9	<20%	>86%	Dry & Damp (IP20)	E495305
75858	LEDrv88UNVL2400DIM1AUX12NFC	88	120-277	50/60Hz	>0.9	<20%	>86%	Dry & Damp (IP20)	E495305
75896	LEDrv30UNHL1050DIM1AUXNFC	30	120-347	50/60Hz	>0.9	<20%	>87%	Dry & Damp (IP20)	E495305
75897	LEDrv50UNHL1400DIM1AUXNFC	50	120-347	50/60Hz	>0.9	<20%	>87%	Dry & Damp (IP20)	E495305
75898	LEDrv85UNHL2300DIM1AUXNFC	85	120-347	50/60Hz	>0.9	<20%	>87%	Dry & Damp (IP20)	E495305
Outdoor									
75854	LEDrv100UNV1250DIMAUX12P6NFC	100	120-277	50/60Hz	>0.9	<10%	>91%	Damp & Wet (IP66)	E495305
75855	LEDrv180UNV1250DIMAUX12P6NFC	180	120-277	50/60Hz	>0.9	<10%	>91%	Damp & Wet (IP66)	E495305
75887	LEDrv100HUV1250DIMAUX12P6NFC	100	347-480	50/60Hz	>0.9	<20%	>91%	Damp & Wet (IP66)	E495305
75888	LEDrv180HUV1250DIMAUX12P6NFC	180	347-480	50/60Hz	>0.9	<20%	>91%	Damp & Wet (IP66)	E495305

Operating Temperatures

Parameter	Compact	Outdoor	Linear
Maximum Case Temperature (Tc point)	90°C Max (50kHrs)	90°C Max (50kHrs)	90°C Max (50kHrs)
Maximum Case Temperature for 5 year life and warranty	≤80°C	≤85°C	≤80°C
Ambient Operating Temperature	-30°C to 50°C	-40°C to 50°C	-30°C to 50°C
Maximum Storage Temperature	75°C	70°C	85°C
Maximum Relative Humidity	85% non-condensing	95% non-condensing	90% non-condensing

Dimmer Compatibility

Dimmer	Dimmer Type	Model
Leviton	0-10V	DS710
Leviton	0-10V	IP710
Lutron	0-10V	NTSTV-DV
Lutron	0-10V	NFTV
Lutron	0-10V	DVTV-WH
Legrand	0-10V	H4FBL3PW

NFC LED Driver Support

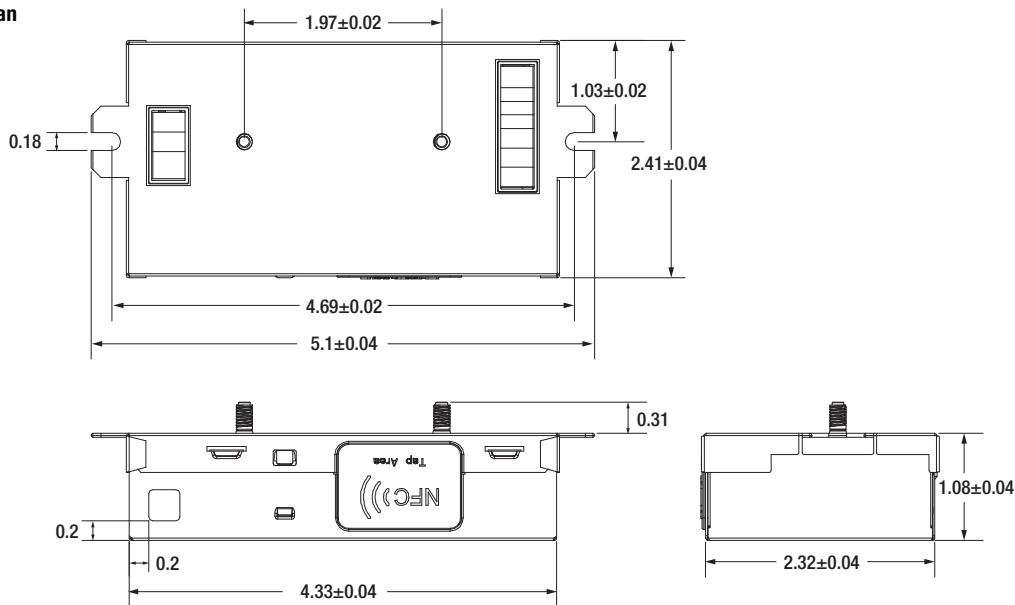
Software for configuration	tapTronic
Programming Tool	via Smartphone APP
Interface for data transfer	Near-Field Communication (NFC)

Physical Information

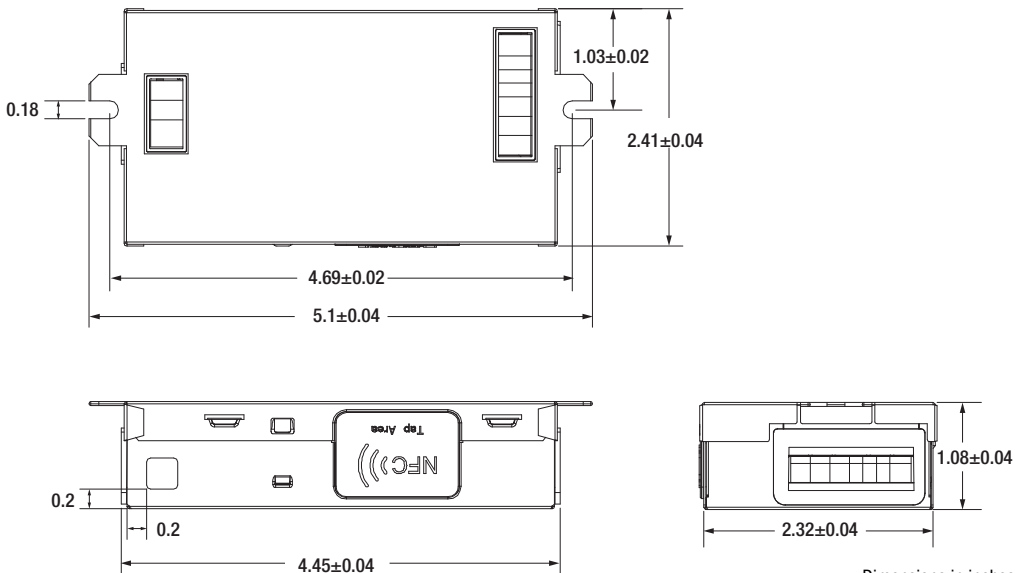
Description		Length (in)	Length/Case (in)	Width (in)	Height (in)	Weight (g)	UOM	Pallet Count
Compact	J-Can	5.1	4.33	2.3	1.1	250	1/SKU 24/CS	1008
	F-Can	5.1	4.45	2.3	1.1	250	1/SKU 24/CS	1008
Outdoor		9.5		2.4	1.5	1000	1/SKU 10/CS	540
Linear 120-277V	36W/55W	9.5		1.2	1.1	450	1/SKU 24/CS	2160
	88W	9.5		1.8	1.2	550	1/SKU 20/CS	1800
120-347V	30W/50W	11		1.18	0.83	210	1/SKU 20/CS	2800
	85W	14.9		1.2	1.01	375	1/SKU 20/CS	1800

Compact

J-Can



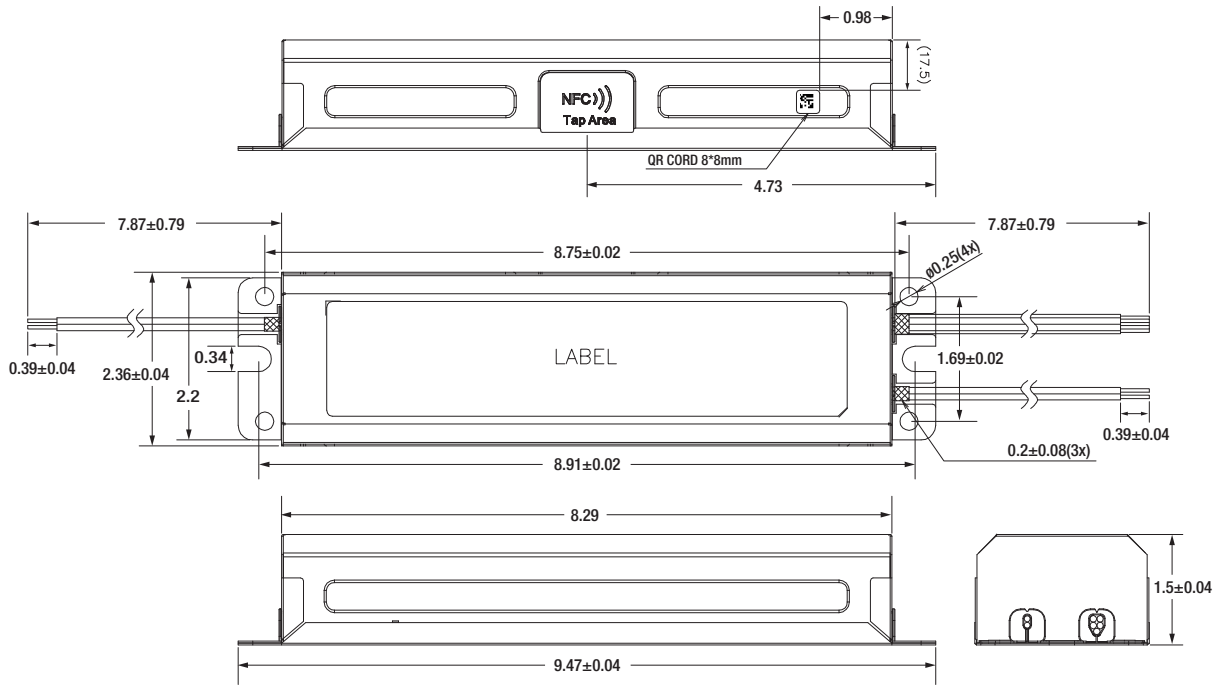
F-Can



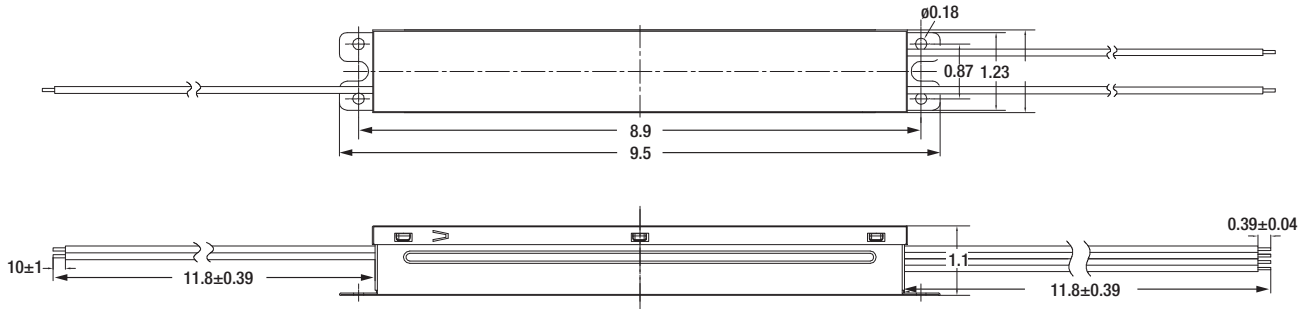
Dimensions in inches

Physical Information (continued)

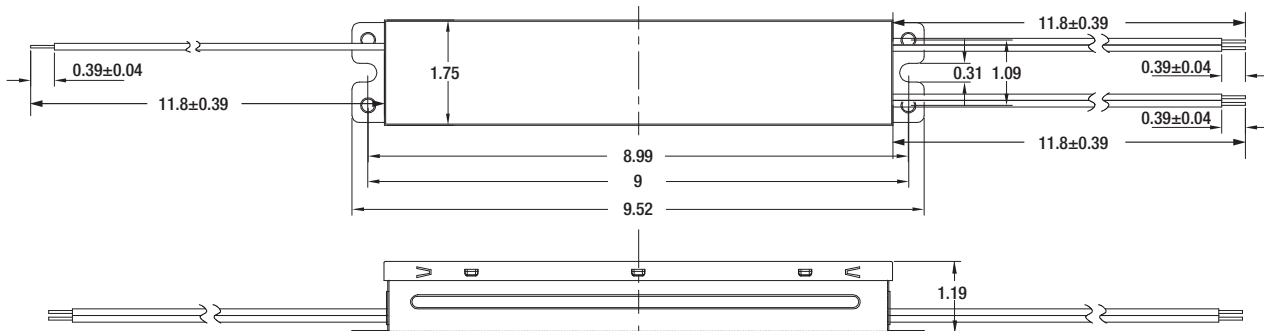
Outdoor



Linear 120-277V – 36W/55W



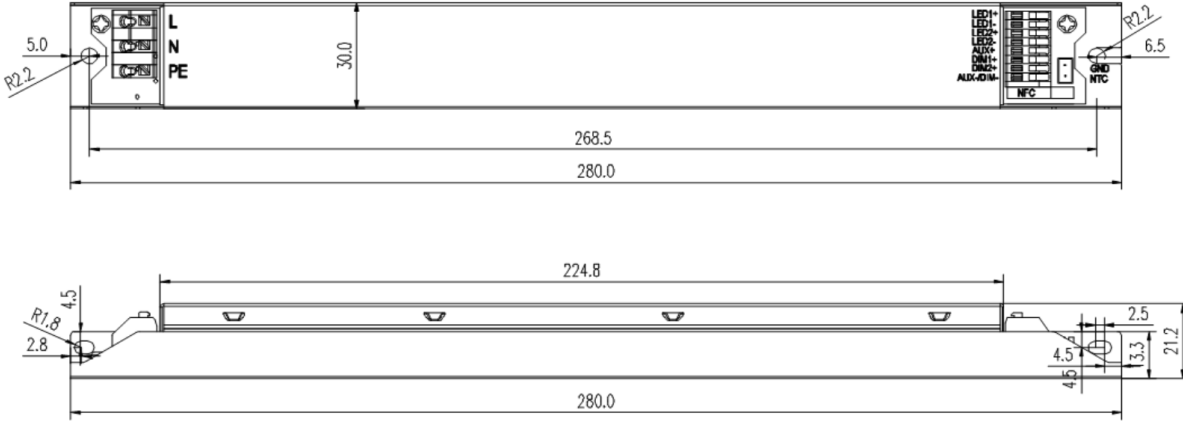
Linear 120-277V – 88W



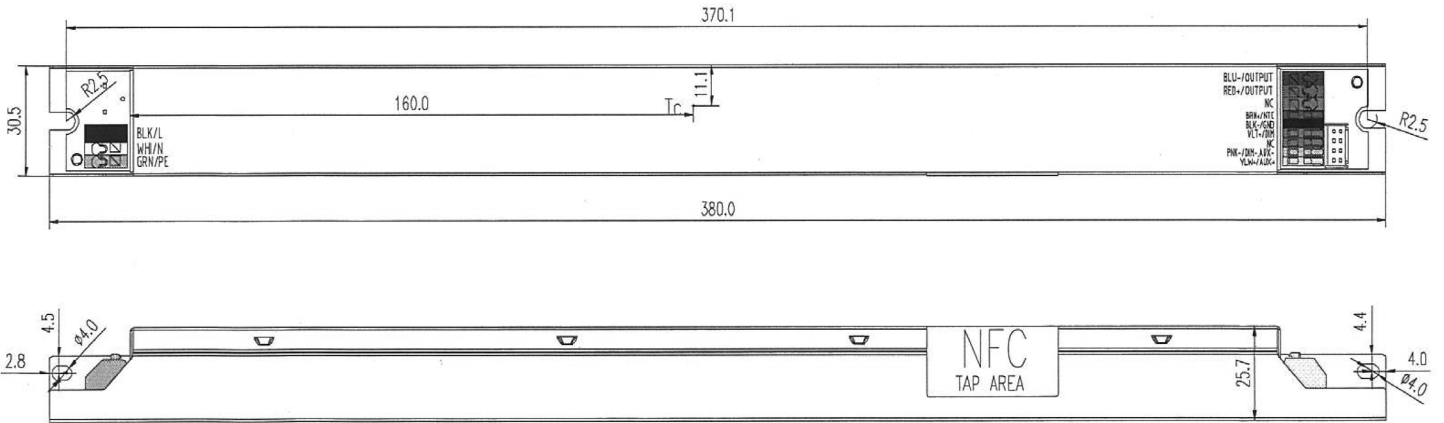
Dimensions in inches

Physical Information (continued)

Linear 120-347V – 30W/50W



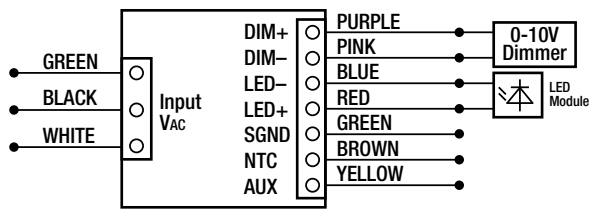
Linear 120-347V – 85W



Dimensions in mm

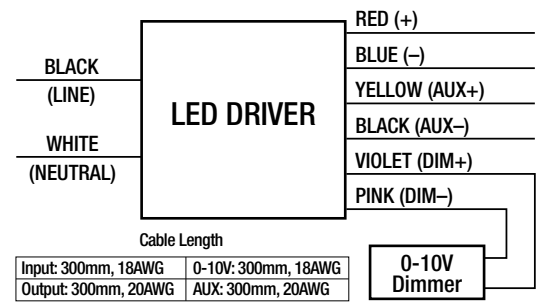
Wiring Diagrams

Compact – 25W/40W

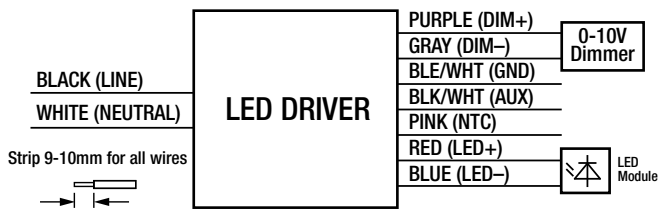


NOTE: Follow label designation by pairing the correct wire with the proper connector.

Linear – 36W/55W/88W



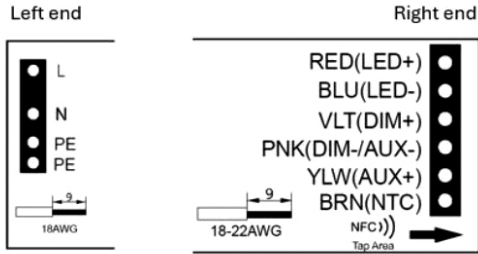
Outdoor – 100W/180W



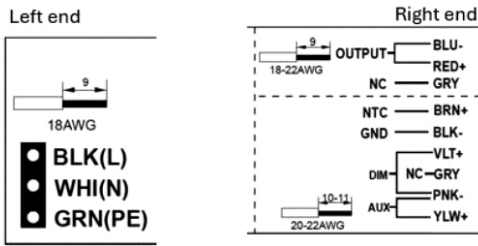
NOTE:
Color sequence/Wiring configuration
Wire according to the diagram
Do not leave any loose wires exposed

Wiring Diagrams (continued)

Linear UNH – 30W/50W



Linear UNH – 85W



Further Details – Default Settings

		Factory Default Setting							
NAED	Description	Current (mA)	Dim %	Dim to Off	Soft Start	End of Life	Constant Lumen	Thermal Protection	AUX
Compact									
75850	LEDrv25UNVC1250DIM1AUX12NFC	500	enable 1%	disabled	disabled	disabled	disabled	disabled	12V
75851	LEDrv25UNVC1250DIM1JAX12NFC	500	enable 1%	disabled	disabled	disabled	disabled	disabled	12V
75852	LEDrv40UNVC1400DIM1AUX12NFC	700	enable 1%	disabled	disabled	disabled	disabled	disabled	12V
75853	LEDrv40UNVC1400DIM1JAX12NFC	700	enable 1%	disabled	disabled	disabled	disabled	disabled	12V
Linear									
75856	LEDrv36UNVL1000DIM1AUX12NFC	500	enable 1%	disabled	disabled	n/a	n/a	n/a	12V
75857	LEDrv55UNVL1300DIM1AUX12NFC	700	enable 1%	disabled	disabled	n/a	n/a	n/a	12V
75858	LEDrv88UNVL2400DIM1AUX12NFC	1400	enable 1%	disabled	disabled	n/a	n/a	n/a	12V
75896	LEDrv30UNHL1050DIM1AUXNFC	105	enable 1%	disabled	disabled	disabled	disabled	disabled	12V
75897	LEDrv50UNHL1400DIM1AUXNFC	140	enable 1%	disabled	disabled	disabled	disabled	disabled	12V
75898	LEDrv85UNHL2300DIM1AUXNFC	230	enable 1%	disabled	disabled	disabled	disabled	disabled	12V
Outdoor									
75854	LEDrv100UNV1250DIMAUX12P6NFC	350	enable 10%	n/a	n/a	disabled	disabled	disabled	12V
75855	LEDrv180UNV1250DIMAUX12P6NFC	350	enable 10%	n/a	n/a	disabled	disabled	disabled	12V
75887	LEDrv100HUV1250DIMAUX12P6NFC	350	enable 10%	disabled	disabled	disabled	disabled	disabled	12V
75888	LEDrv180HUV1250DIMAUX12P6NFC	350	enable 10%	disabled	disabled	disabled	disabled	disabled	12V

Application Notes

- Compact/Outdoor drivers may get overloaded. Possible reasons:
 - Load is seeking more voltage than allowable range, indicating probable driver mismatch (refer to pg. 2 for driver data).
 - Power draw exceeds driver max wattage rating, indicating probable mismatch.
- APP is multi-language accessible.

Installation Guides

Click or Scan QR Codes:



LEDVANCE LLC
 181 Ballardvale Street, Suite 203
 Wilmington, MA 01887 USA
 Phone 1-800-LIGHTBULB (1-800-544-4828)
 www.ledvanceUS.com

LEDVANCE is a registered trademark.
 All other trademarks are those of their respective owners.
 Specifications subject to change without notice.



SCAN TO FOLLOW US
 ON SOCIAL MEDIA



tapTronic™

LEDVANCE NFC LED Drivers

Programmable Constant Current Dimmable Compact, Linear and Outdoor Type

Field-Programmable, Near-Field Communication (NFC) LED Drivers. This family covers linear, compact, and outdoor drivers. These drivers are available in the industry's most desirable wattages. Our programming software app can be downloaded in seconds on any smartphone. The programming is easy and simple to follow.

Applications

Compact

- Pendants
- Home and décor
- Spotlights
- Downlights

Linear

- Wall and ceiling
- Surface-mounted
- Suspended luminaires
- Recessed

Outdoor

- Area lights
- Industrial highbays
- Wall packs
- Décor landscape
- Cobraheads
- Bollards
- Hazardous locations



Benefits and Features

- Field-programmable via free app
- Programming does not require driver to be powered up
- Quick and easy output customization:
 - Current
 - Dim to off – dim range %
 - Constant lumen output
 - Soft start
 - End of life
 - Thermal protection
- Compact: 25W and 40W both F-can and J-can housing style
- Linear: 120-277V, 120-347V models
- Outdoor: 120-277V, 347V-480V models

Warranty

- 5-year
- NLB Trusted Warranty Program

Unique selling points

- Field-programmable – your installers will thank you
- Near-field communication interface
- LEDVANCE's own tapTronic software
- Large programmable range from each driver, ideal when consolidating your on-hand inventory from in-house or in a service truck. Customize their output in seconds

Product Ratings

- Compliant to 47 CFR, Part 15 Class A
- cUL class P
- UL Class 2 output for safety (Compact/Linear)
- RoHs
- FCC
- TAA (Linear 120-277V only)
- Compliant with CA T-24 requirement for flicker and startup time

Download tapTronic Software App



Catalog #	Type
Project	
Comments	
Prepared by	

Ordering Guide

LEDrv	XX	XXX	X	XXX0	DIMX	AUX12	P6	NFC
LEDVANCE Driver tapTronic	Output wattage 25 = 25W 36 = 36W 40 = 40W 55 = 55W 85 = 85W 88 = 88W 100 = 100W 180 = 180W	Input Voltage 120-277 UNV=120-227V UNH=120-347V HUV=347-480V	Type C = Compact L = Linear Blank = Outdoor	Output Current (Max) 1000 = 1000mA 1050 = 1050mA 1250 = 1250mA 1300 = 1300mA 1400 = 1400mA 2300 = 2300mA 2400 = 2400mA	0-10V Dimming DIM = 10% dimming DIM1 = 1% dimming	Auxiliary Output AUX12 = 12V	P6= IP66 (Outdoor)	Near-Field Programmable

Ordering Information

Item Number	Ordering Abbreviation	Total Output Power (W)	Output Current Range (Programmable)	Default Current	Output Voltage Range (Voc)	Dimming Control	Dimming Range	Aux	Line Transient
Compact									
75850	LEDrv25UNVC1250DIM1AUX12NFC	25	150-1250mA	500mA	8-55	0-10V	1-100%	12V	ANSI C62.41 Cat. A 2.5kV
75851	LEDrv25UNVC1250DIM1JAX12NFC	25	150-1250mA	500mA	8-55	0-10V	1-100%	12V	ANSI C62.41 Cat. A 2.5kV
75852	LEDrv40UNVC1400DIM1AUX12NFC	40	400-1400mA	700mA	8-55	0-10V	1-100%	12V	ANSI C62.41 Cat. A 2.5kV
75853	LEDrv40UNVC1400DIM1JAX12NFC	40	400-1400mA	700mA	8-55	0-10V	1-100%	12V	ANSI C62.41 Cat. A 2.5kV
Linear									
75856	LEDrv36UNVL1000DIM1AUX12NFC	36	100-1000mA	500mA	20-48	0-10V	1-100%	12V	ANSI C62.41 Cat. A 2.5kV
75857	LEDrv55UNVL1300DIM1AUX12NFC	55	130-1300mA	700mA	20-48	0-10V	1-100%	12V	ANSI C62.41 Cat. A 2.5kV
75858	LEDrv88UNVL2400DIM1AUX12NFC	88	240-2400mA	1400mA	24-48	0-10V	1-100%	12V	ANSI C62.41 Cat. A 2.5kV
75896	LEDrv30UNHL1050DIM1AUXNFC	30	105-1050mA	105mA	8-55	0-10V	1-100%	12, 24V	ANSI C62.41 Cat. A 2.5kV
75897	LEDrv50UNHL1400DIM1AUXNFC	50	140-1400mA	140mA	8-55	0-10V	1-100%	12, 24V	ANSI C62.41 Cat. A 2.5kV
75898	LEDrv85UNHL2300DIM1AUXNFC	85	230-2300mA	230mA	8-55	0-10V	1-100%	12, 24V	ANSI C62.41 Cat. B 6kV
Outdoor									
75854	LEDrv100UNV1250DIMAUX12P6NFC	100	350-1250mA	350mA	50-185	0-10V	10-100%	12V	ANSI C62.41 Cat. B 6kV
75855	LEDrv180UNV1250DIMAUX12P6NFC	180	350-1250mA	350mA	70-280	0-10V	10-100%	12V	ANSI C62.41 Cat. B 6kV
75887	LEDrv100HUV1250DIMAUX12P6NFC	100	350-1250mA	350mA	50-185	0-10V	10-100%	12V	ANSI C62.41 Cat. B 6kV
75888	LEDrv180HUV1250DIMAUX12P6NFC	180	350-1250mA	350mA	70-280	0-10V	10-100%	12V	ANSI C62.41 Cat. B 6kV

Electrical Specifications

Item Number	Ordering Abbreviation	Max. Output Power (W)	Input Voltage (Vac)	Frequency	Power Factor	THD	Efficiency	Environmental Rating	UL File #
Compact									
75850	LEDrv25UNVC1250DIM1AUX12NFC	25	120-277	50/60Hz	>0.9	<20%	>87%	Dry & Damp (IP20)	E495305
75851	LEDrv25UNVC1250DIM1JAX12NFC	25	120-277	50/60Hz	>0.9	<20%	>87%	Dry & Damp (IP20)	E495305
75852	LEDrv40UNVC1400DIM1AUX12NFC	40	120-277	50/60Hz	>0.9	<20%	>87%	Dry & Damp (IP20)	E495305
75853	LEDrv40UNVC1400DIM1JAX12NFC	40	120-277	50/60Hz	>0.9	<20%	>87%	Dry & Damp (IP20)	E495305
Linear									
75856	LEDrv36UNVL1000DIM1AUX12NFC	36	120-277	50/60Hz	>0.9	<20%	>86%	Dry & Damp (IP20)	E495305
75857	LEDrv55UNVL1300DIM1AUX12NFC	55	120-277	50/60Hz	>0.9	<20%	>86%	Dry & Damp (IP20)	E495305
75858	LEDrv88UNVL2400DIM1AUX12NFC	88	120-277	50/60Hz	>0.9	<20%	>86%	Dry & Damp (IP20)	E495305
75896	LEDrv30UNHL1050DIM1AUXNFC	30	120-347	50/60Hz	>0.9	<20%	>87%	Dry & Damp (IP20)	E495305
75897	LEDrv50UNHL1400DIM1AUXNFC	50	120-347	50/60Hz	>0.9	<20%	>87%	Dry & Damp (IP20)	E495305
75898	LEDrv85UNHL2300DIM1AUXNFC	85	120-347	50/60Hz	>0.9	<20%	>87%	Dry & Damp (IP20)	E495305
Outdoor									
75854	LEDrv100UNV1250DIMAUX12P6NFC	100	120-277	50/60Hz	>0.9	<10%	>91%	Damp & Wet (IP66)	E495305
75855	LEDrv180UNV1250DIMAUX12P6NFC	180	120-277	50/60Hz	>0.9	<10%	>91%	Damp & Wet (IP66)	E495305
75887	LEDrv100HUV1250DIMAUX12P6NFC	100	347-480	50/60Hz	>0.9	<20%	>91%	Damp & Wet (IP66)	E495305
75888	LEDrv180HUV1250DIMAUX12P6NFC	180	347-480	50/60Hz	>0.9	<20%	>91%	Damp & Wet (IP66)	E495305

Operating Temperatures

Parameter	Compact	Outdoor	Linear
Maximum Case Temperature (Tc point)	90°C Max (50kHrs)	90°C Max (50kHrs)	90°C Max (50kHrs)
Maximum Case Temperature for 5 year life and warranty	≤80°C	≤85°C	≤80°C
Ambient Operating Temperature	-30°C to 50°C	-40°C to 50°C	-30°C to 50°C
Maximum Storage Temperature	75°C	70°C	85°C
Maximum Relative Humidity	85% non-condensing	95% non-condensing	90% non-condensing

Dimmer Compatibility

Dimmer	Dimmer Type	Model
Leviton	0-10V	DS710
Leviton	0-10V	IP710
Lutron	0-10V	NTSTV-DV
Lutron	0-10V	NFTV
Lutron	0-10V	DVTV-WH
Legrand	0-10V	H4FBL3PW

NFC LED Driver Support

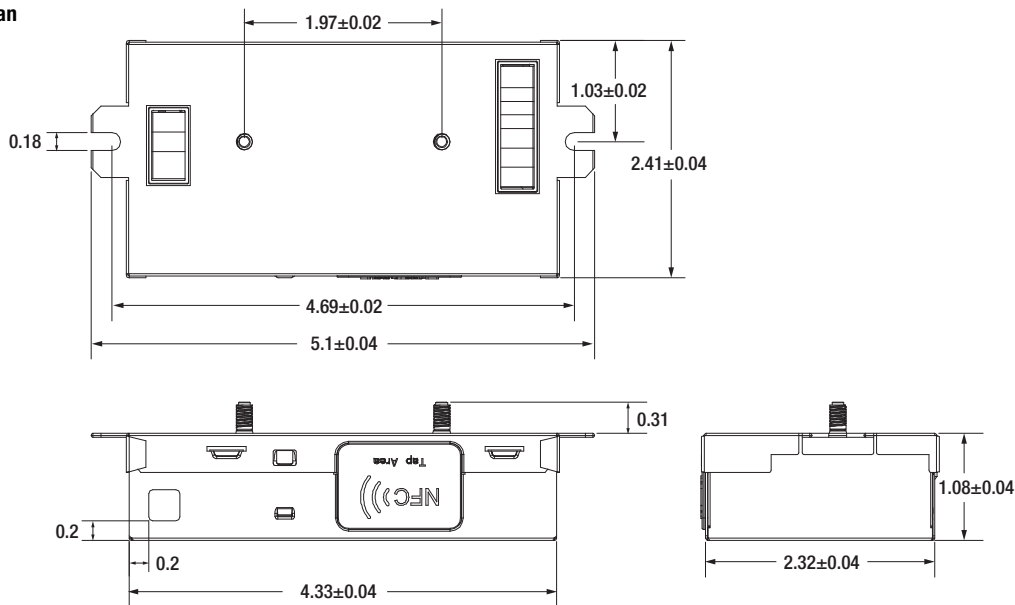
Software for configuration	tapTronic
Programming Tool	via Smartphone APP
Interface for data transfer	Near-Field Communication (NFC)

Physical Information

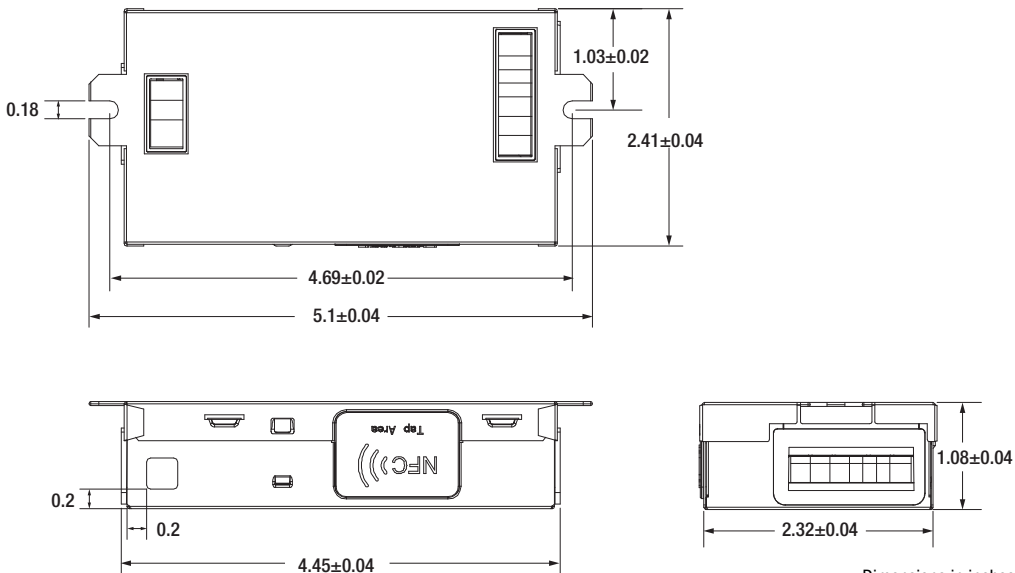
Description		Length (in)	Length/Case (in)	Width (in)	Height (in)	Weight (g)	UOM	Pallet Count
Compact	J-Can	5.1	4.33	2.3	1.1	250	1/SKU 24/CS	1008
	F-Can	5.1	4.45	2.3	1.1	250	1/SKU 24/CS	1008
Outdoor		9.5		2.4	1.5	1000	1/SKU 10/CS	540
Linear 120-277V	36W/55W	9.5		1.2	1.1	450	1/SKU 24/CS	2160
	88W	9.5		1.8	1.2	550	1/SKU 20/CS	1800
120-347V	30W/50W	11		1.18	0.83	210	1/SKU 20/CS	2800
	85W	14.9		1.2	1.01	375	1/SKU 20/CS	1800

Compact

J-Can



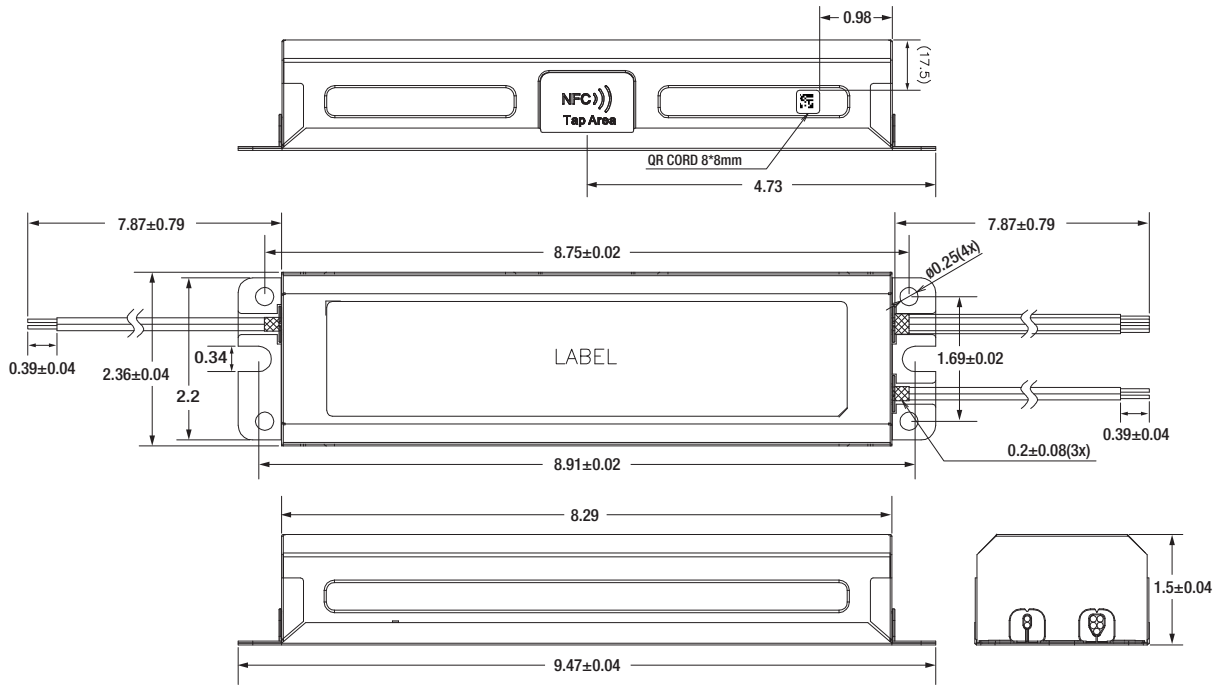
F-Can



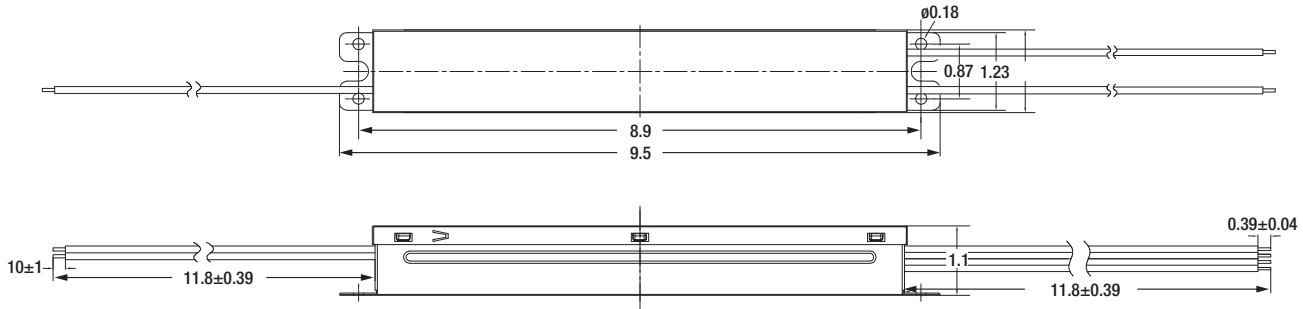
Dimensions in inches

Physical Information (continued)

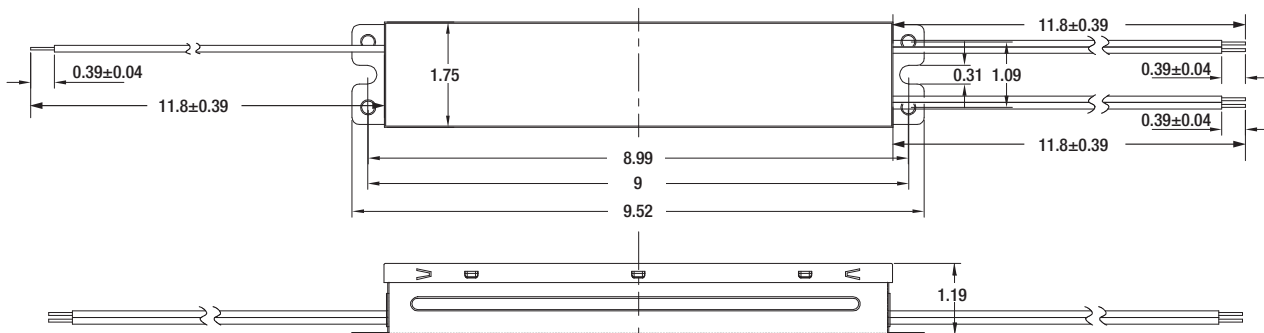
Outdoor



Linear 120-277V – 36W/55W



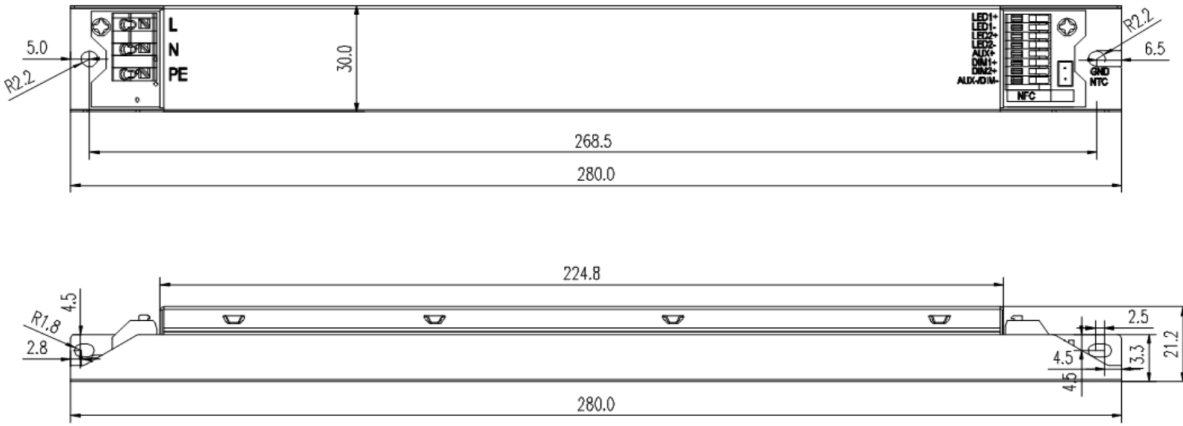
Linear 120-277V – 88W



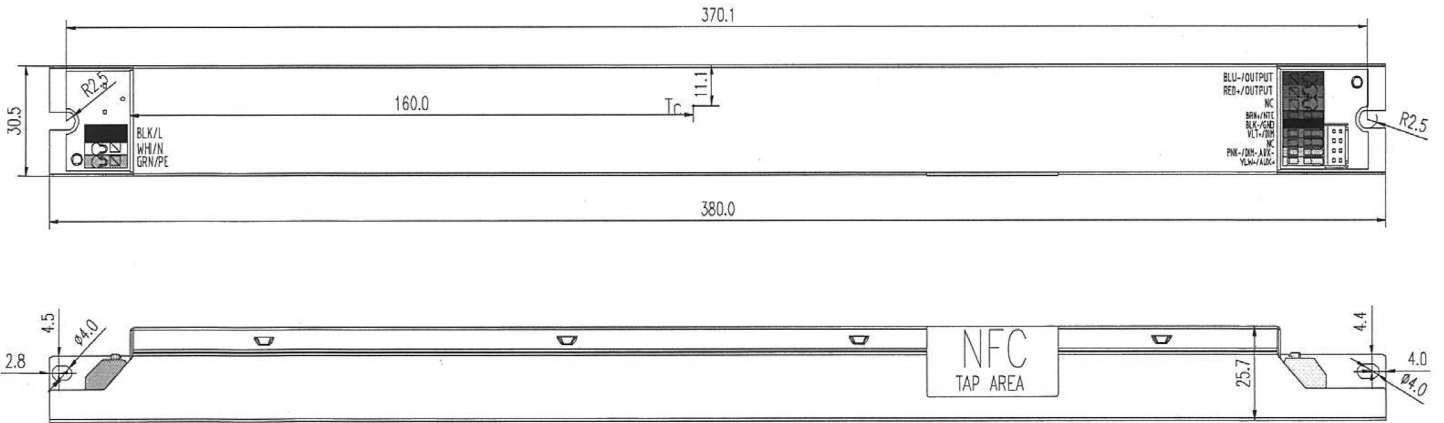
Dimensions in inches

Physical Information (continued)

Linear 120-347V – 30W/50W



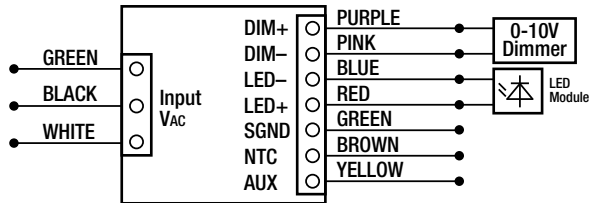
Linear 120-347V – 85W



Dimensions in mm

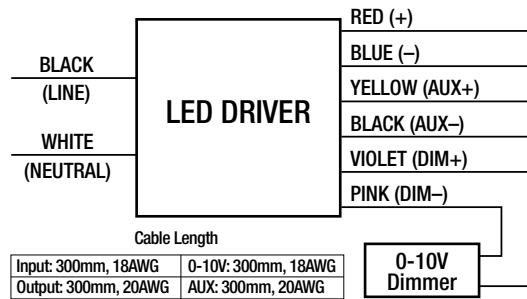
Wiring Diagrams

Compact – 25W/40W

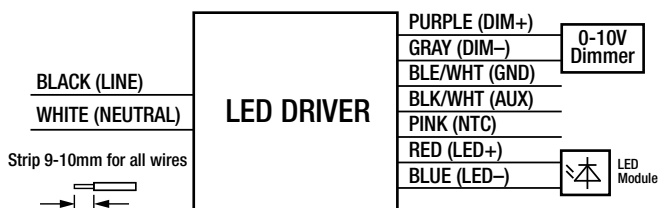


NOTE: Follow label designation by pairing the correct wire with the proper connector.

Linear – 36W/55W/88W



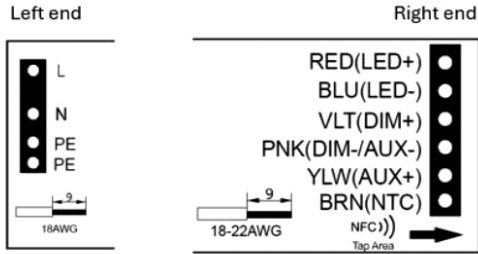
Outdoor – 100W/180W



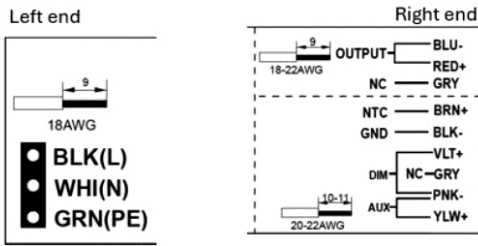
NOTE:
Color sequence/Wiring configuration
Wire according to the diagram
Do not leave any loose wires exposed

Wiring Diagrams (continued)

Linear UNH – 30W/50W



Linear UNH – 85W



Further Details – Default Settings

NAED	Description	Factory Default Setting								
		Current (mA)	Dim %	Dim to Off	Soft Start	End of Life	Constant Lumen	Thermal Protection	AUX	
Compact										
75850	LEDrv25UNVC1250DIM1AUX12NFC	500	enable 1%	disabled	disabled	disabled	disabled	disabled	disabled	12V
75851	LEDrv25UNVC1250DIM1JAX12NFC	500	enable 1%	disabled	disabled	disabled	disabled	disabled	disabled	12V
75852	LEDrv40UNVC1400DIM1AUX12NFC	700	enable 1%	disabled	disabled	disabled	disabled	disabled	disabled	12V
75853	LEDrv40UNVC1400DIM1JAX12NFC	700	enable 1%	disabled	disabled	disabled	disabled	disabled	disabled	12V
Linear										
75856	LEDrv36UNVL1000DIM1AUX12NFC	500	enable 1%	disabled	disabled	n/a	n/a	n/a	n/a	12V
75857	LEDrv55UNVL1300DIM1AUX12NFC	700	enable 1%	disabled	disabled	n/a	n/a	n/a	n/a	12V
75858	LEDrv88UNVL2400DIM1AUX12NFC	1400	enable 1%	disabled	disabled	n/a	n/a	n/a	n/a	12V
75896	LEDrv30UNHL1050DIM1AUXNFC	105	enable 1%	disabled	disabled	disabled	disabled	disabled	disabled	12V
75897	LEDrv50UNHL1400DIM1AUXNFC	140	enable 1%	disabled	disabled	disabled	disabled	disabled	disabled	12V
75898	LEDrv85UNHL2300DIM1AUXNFC	230	enable 1%	disabled	disabled	disabled	disabled	disabled	disabled	12V
Outdoor										
75854	LEDrv100UNV1250DIMAUX12P6NFC	350	enable 10%	n/a	n/a	disabled	disabled	disabled	disabled	12V
75855	LEDrv180UNV1250DIMAUX12P6NFC	350	enable 10%	n/a	n/a	disabled	disabled	disabled	disabled	12V
75887	LEDrv100HUV1250DIMAUX12P6NFC	350	enable 10%	disabled	disabled	disabled	disabled	disabled	disabled	12V
75888	LEDrv180HUV1250DIMAUX12P6NFC	350	enable 10%	disabled	disabled	disabled	disabled	disabled	disabled	12V

Application Notes

- Compact/Outdoor drivers may get overloaded. Possible reasons:
 - Load is seeking more voltage than allowable range, indicating probable driver mismatch (refer to pg. 2 for driver data).
 - Power draw exceeds driver max wattage rating, indicating probable mismatch.
- APP is multi-language accessible.

Installation Guides

Click or Scan QR Codes:



LEDVANCE LLC
 181 Ballardvale Street, Suite 203
 Wilmington, MA 01887 USA
 Phone 1-800-LIGHTBULB (1-800-544-4828)
 www.ledvanceUS.com

LEDVANCE is a registered trademark.
 All other trademarks are those of their respective owners.
 Specifications subject to change without notice.



SCAN TO FOLLOW US
 ON SOCIAL MEDIA

