



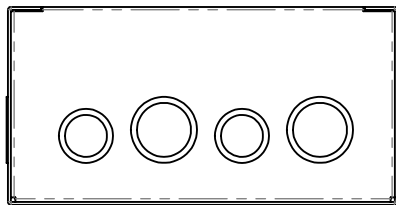
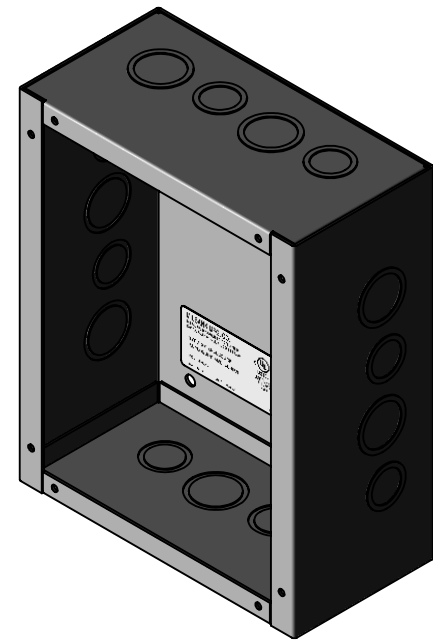
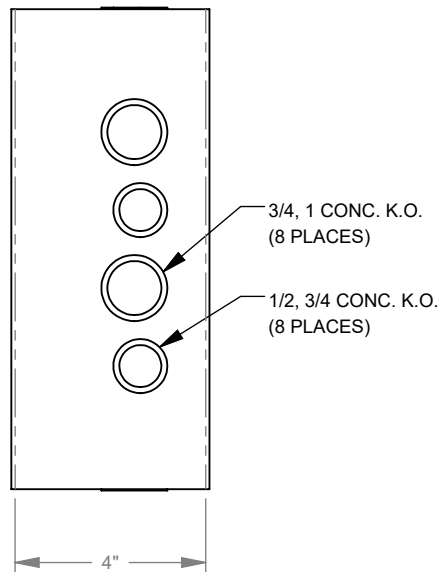
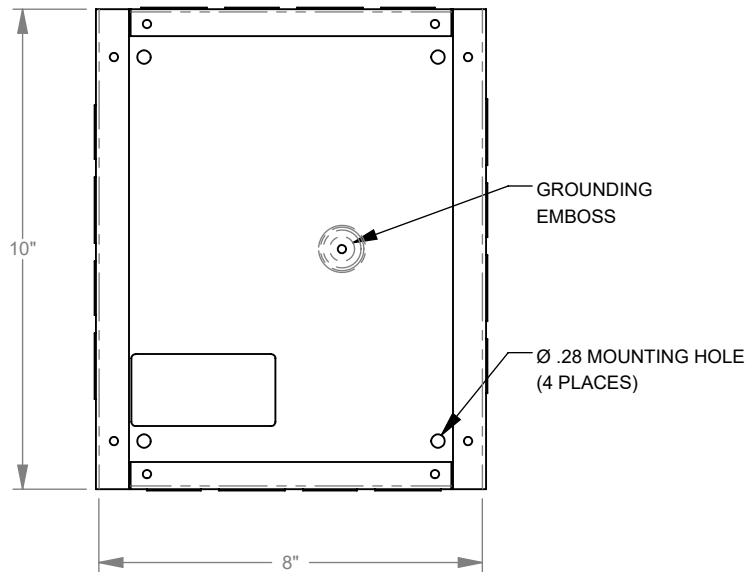
MILBANK
ENERGY AT WORK

8104-SC1



Catalog Number	8104-SC1	Top	Plain Top
Marketing Product Description	10x4X8 Screw Cover Type 1 UL Listed Steel Knockouts ANSI 61 Gray Cover With Teardrop Slots Mounting Holes In Back	Door	Cover
UPC	784572108790	Latch	Cover Secured with Plated Screws
Length (IN)	4	Support	Formed and Spot Welded
Width (IN)	8		
Height (IN)	10		
Weight (LB)	6		
Brand Name	Milbank		
Type	Screw Cover		
Application	Enclosure for Mounting Electrical Equipment		
Standard	UL Listed		
Number Of Outlet	0		
Material	Steel with Powder Coat Finish		
Size	4L x 8W x 10H		
Color	ANSI 61 Gray		
Construction	Welded		
Cable Entry	Knockouts		
Mounting	Wall Mount		
NEMA Rating	Type 1		
Hinge Type	No Hinge		

Please consult serving utility for their requirements prior to ordering or installing, as specifications and approvals vary by utility and may require local electrical inspector approval. All installations must be installed by a licensed electrician and must comply with all national and local codes, laws and regulations. Milbank reserves the right to make changes in specifications and features shown without notice or obligation.



MILBANK
ENERGY AT WORK

Version:

1

**All dimensions are +/- 1/16".
Drawing views are not to scale.**

Please consult serving utility for their requirements prior to ordering or installing, as specifications and approvals vary by utility, and may require local electrical inspector approval. All installations must be installed by a licensed electrician and must comply with all national and local codes, laws and regulations. Milbank reserves the right to make changes in specifications and features shown without notice or obligation.



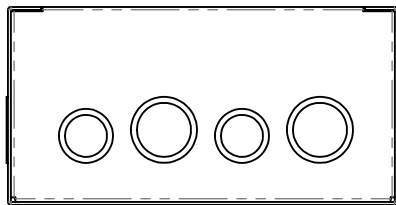
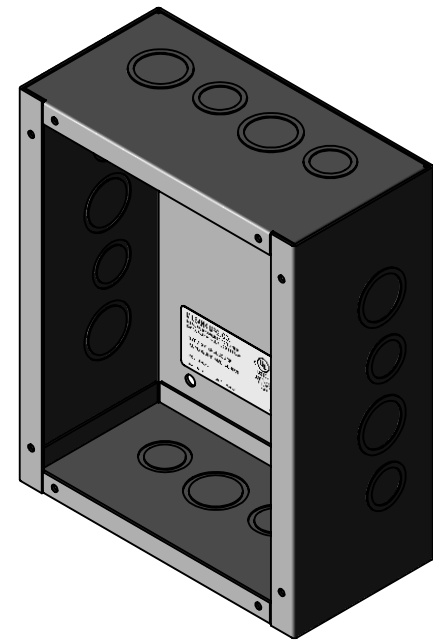
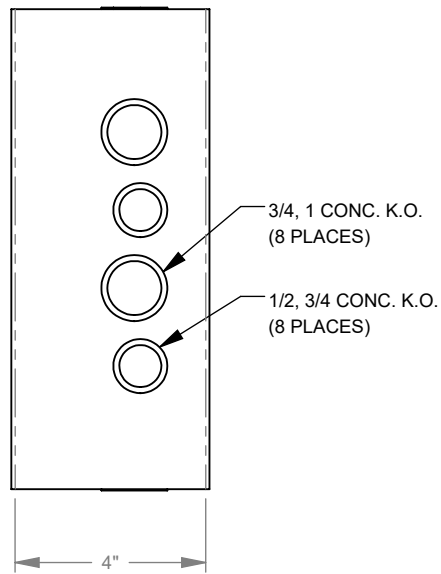
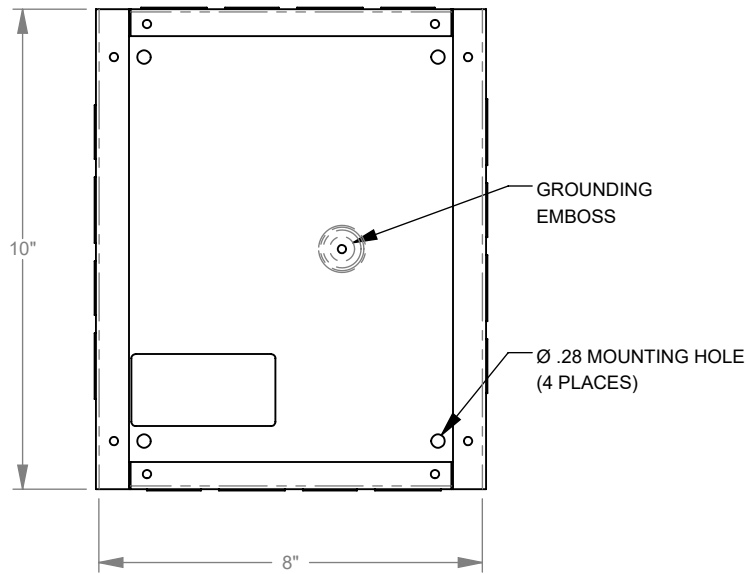
MILBANK
ENERGY AT WORK

8104-SC1



Catalog Number	8104-SC1	Top	Plain Top
Marketing Product Description	10x4X8 Screw Cover Type 1 UL Listed Steel Knockouts ANSI 61 Gray Cover With Teardrop Slots Mounting Holes In Back	Door	Cover
UPC	784572108790	Latch	Cover Secured with Plated Screws
Length (IN)	4	Support	Formed and Spot Welded
Width (IN)	8		
Height (IN)	10		
Weight (LB)	6		
Brand Name	Milbank		
Type	Screw Cover		
Application	Enclosure for Mounting Electrical Equipment		
Standard	UL Listed		
Number Of Outlet	0		
Material	Steel with Powder Coat Finish		
Size	4L x 8W x 10H		
Color	ANSI 61 Gray		
Construction	Welded		
Cable Entry	Knockouts		
Mounting	Wall Mount		
NEMA Rating	Type 1		
Hinge Type	No Hinge		

Please consult serving utility for their requirements prior to ordering or installing, as specifications and approvals vary by utility and may require local electrical inspector approval. All installations must be installed by a licensed electrician and must comply with all national and local codes, laws and regulations. Milbank reserves the right to make changes in specifications and features shown without notice or obligation.



Version:

1

**All dimensions are +/- 1/16".
Drawing views are not to scale.**

Please consult serving utility for their requirements prior to ordering or installing, as specifications and approvals vary by utility, and may require local electrical inspector approval. All installations must be installed by a licensed electrician and must comply with all national and local codes, laws and regulations. Milbank reserves the right to make changes in specifications and features shown without notice or obligation.