

IM-643

REV. NO. 4

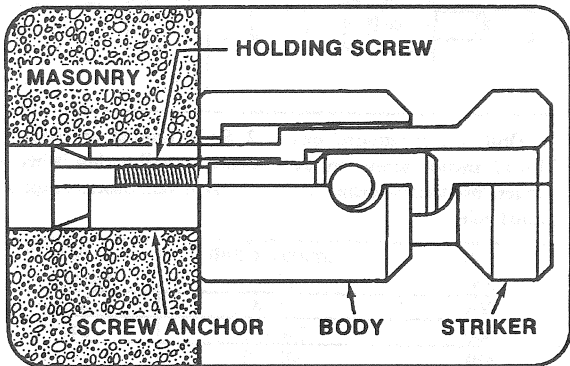
SEPTEMBER, 1990



How to use the **GREENLEE®**

SCREW ANCHOR EXPANDER

(PAT. NO. 2743837)



Screw Anchor Expanders--Hardened alloy steel.

Quick and secure. Set expansive screw anchors in masonry, regardless of thickness, with these handy tools. Simply screw the anchor onto the expander, insert into drilled hole and strike expander head with a hammer.

GREENLEE SCREW ANCHOR EXPANDER SIZES

*Expander
No.*

*Screw Anchor
Bolt Size*

*Minimum Dimension
of Holes Required*

Dia. Depth

866

10-24

3/8"

5/8"

868

1/4"-20

1/2"

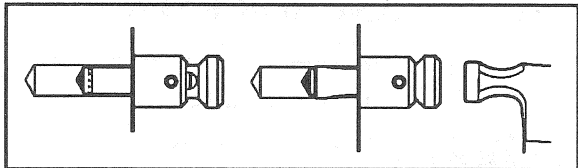
7/8"

870

3/8"-16

3/4"

1-1/4"



1. Drill hole of required size. Thread anchor screw on expander. Insert screw anchor into drilled hole.

2. Strike head of expander with hammer until anchor is held securely in wall. Unscrew expander.

Cat. No.	Expansive Bolt Size	Use with Anchor No.
866	10-24	84296
868	1/4"-20	84299
870	3/8"-20	84305

GREENLEE **TEXTRON**

Greenlee Textron Inc. / Subsidiary of Textron Inc.
4455 Boeing Drive, Rockford, IL 61109-2988 USA