



ELLIOTT ELECTRIC SUPPLY

We Deliver...Lower Cost, Quality Products, & Personal Service

2310 N. Stallings Dr.
75964-0000, TX Nacogdoches
Phone: 936-569-7941
Fax: 936-560-4685



A10060223 FM PRTTV Cap *Crouse-Hinds*

Catalog Number	A10060223
Manufacturer	Crouse-Hinds
Description	
Weight per unit	1.0 (lbs/each)
Product Category	Misc Wiring Devices

Descriptions

Description	FM PRTTV CAP
Product Type	E1016 F Prot Cap W/Cord BR

Manufacturer Information

Brand	EATON CROUSE-HINDS SERIES
GTIN	00662275911391
Manufacturers Part Number	A100602-23
UPC	662275911391

Taxonomies, Classifications, and Categories

Category Description	Pin & Sleeve Devices
----------------------	----------------------

Packaging

Carton	1
Weight Per each	1

Cam-Lok™ J Series Connectors are specifically designed to meet the needs of demanding portable applications. J Series Plugs and Receptacles are the proven industry standard single pole connectors for reliability and service with added safety.

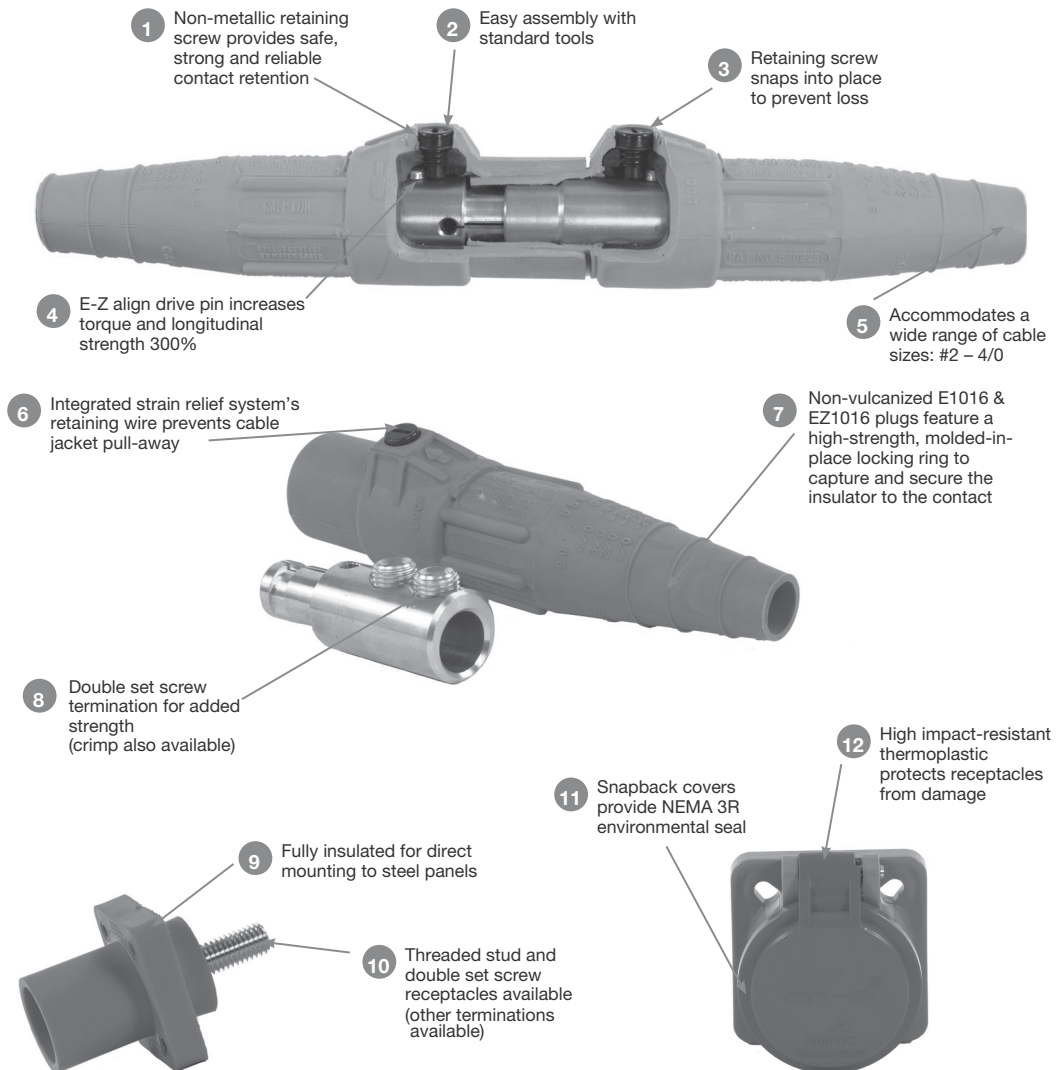
Applications:

- J Series Plugs and Receptacles are specifically designed for industrial power distribution applications requiring quick, tool-free connections
- Ideal for portable power, power distribution, motors, generators, and entertainment applications
- J Series replaces traditional hard wiring while cutting downtime and maintenance
- J Series Connectors are insulated, shatter/crack-resistant and watertight, plus heat-, weather-, ozone-, oil-, and abrasion-resistant

Certifications and Compliances:

- Listed to UL498, File No. E67181
- CSA certified to C22.2 No. 182.3 LR13963

Features:



Environmental Ratings:

- NEMA 3R or NEMA 4

Standard Materials:

- Accepts cable sizes: #8 AWG - 750 MCM
- Insulator - elastomeric or rubber
- Contact - brass or copper

Electrical Ratings:

- 600 Volts AC/DC
- 690 Amps continuous

Temperature Ratings:

- -40°C to 105°C

11P Cam-Lok™ J Series E1016 Accessories

NEMA 3R

**600V AC/DC
Up to 400A Continuous**

J Series E1016, Elastomeric

Features:

- Double cam principle provides a positive, vibration-proof connection
- Self-compensating for wear
- No moving contact surfaces, eliminating arcing or burning
- Superior electro-mechanical connections
- Locked contacts will withstand a pulling force of 1,000 lbs.
- 1/3 of a turn assures a high pressure contact approaching 600 lbs. per sq. in., providing minimum resistance
- Contacts carefully machined from a high conductivity brass to a smooth sliding fit and easy locking action
- Watertight elastomeric body molded from colorfast material, color-coded for easy phase identification
- Recessed contacts protected by insulating jacket that extends beyond contact ends for safety

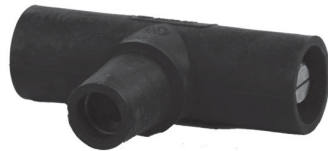
Testing and Code Compliance:

- Listed to UL498, File No. E67181
- CSA certified to C22.2 No. 182.3-M1987, File No. LR13963

Material Characteristics:

- Body - TPE
- Environmental rating: NEMA 3R
- Temperature rating: -40°C to 105°C

Ordering Information - Three-Way Lay Down "T" Connectors:



E1016-2324

	Paralleling "T" M-M-F Cat. #	Tapping "T" M-F-F Cat. #	Tapping "T" M-F-M Cat. #	Tapping "T" M-M-M Cat. #	Tapping "T" F-F-F Cat. #	Tapping "T" F-F-M Cat. #
Black	E1016-2324	E1016-2312	E1016-2318	E1016-2300	E1016-2306	E1016-2330
Red	E1016-2326	E1016-2314	E1016-2320	E1016-2302	E1016-2308	E1016-2332
Green	E1016-2328	E1016-2316	E1016-2322	E1016-2304	E1016-2310	E1016-2334
White	E1016-2329	E1016-2317	E1016-2323	E1016-2305	E1016-2311	E1016-2335
Blue	E1016-2348	E1016-2350	E1016-2359	E1016-2351	E1016-2349	E1016-2360
Brown	E1016-2371	E1016-2395	E1016-2372	E1016-2373	E1016-2374	E1016-2375
Orange	E1016-2327	E1016-2315	E1016-2321	E1016-2303	E1016-2309	E1016-2333
Yellow	E1016-2325	E1016-2313	E1016-2319	E1016-2301	E1016-2307	E1016-2331

Ordering Information - Protective Caps with Lanyards (Not UL Listed):



A100601-17

Color	Male Cap Cat. #	Female Cap Cat. #
Black	A100601-17	A100602-17
Red	A100601-19	A100602-19
Green	A100601-21	A100602-21
White	A100601-22	A100602-22
Blue	A100601-24	A100602-24
Brown	A100601-23	A100602-23
Orange	A100601-20	A100602-20
Yellow	A100601-18	A100602-18
Plated	A100895-1	SNAP BACK METAL COVER (Not NEMA 3R)
Aluminum	100444	SPACER

To order single packaged products, add a "K" suffix to the complete catalog number.

Cam-Lok™ J Series E1016 Accessories

NEMA 3R

11P

**600V AC/DC
Up to 400A Continuous**

J Series E1016, Elastomeric

Features:

- Double cam principle provides a positive, vibration-proof connection
- Self-compensating for wear
- No moving contact surfaces, eliminating arcing or burning
- Superior electro-mechanical connections
- Locked contacts will withstand a pulling force of 1,000 lbs.
- 1/3 of a turn assures a high pressure contact approaching 600 lbs. per sq. in., providing minimum resistance
- Contacts carefully machined from a high conductivity brass to a smooth sliding fit and easy locking action
- Watertight elastomeric body molded from colorfast material, color-coded for easy phase identification
- Recessed contacts protected by insulating jacket that extends beyond contact ends for safety

Testing and Code Compliance:

- Listed to UL498, File No. E67181
- CSA certified to C22.2 No. 182.3-M1987, File No. LR13963

Material Characteristics:

- Body - TPE
- Environmental rating: NEMA 3R
- Temperature rating: -40°C to 105°C

Ordering Information - Three-Fer Tapping Tees:



E1016-9502

Color	90° M-F-F-F Cat. #	45° M-F-F-F Cat. #	45° F-M-M-M Cat. #
Black	E1016-9500	E1016-9510	E1016-9580
Red	E1016-9502	E1016-9512	E1016-9600
Green	E1016-9504	E1016-9514	E1016-9620
White	E1016-9505	E1016-9515	E1016-9630
Blue	E1016-9506	E1016-9516	E1016-9640
Brown	E1016-9507	E1016-9517	E1016-9650
Orange	E1016-9503	E1016-9513	E1016-9610
Yellow	E1016-9501	E1016-9511	E1016-9590

Ordering Information - Adapters:

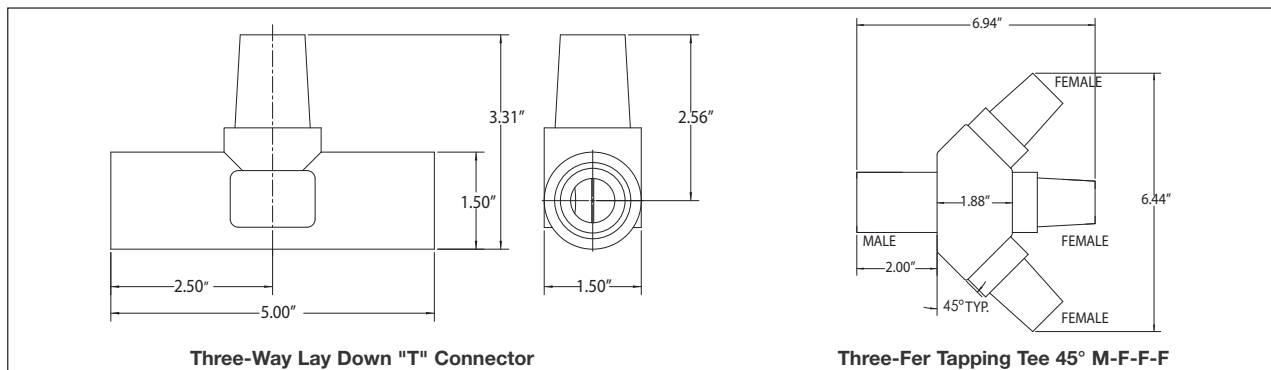


E1016-9510

Color	Double Female Adapter Cat. #	Double Male Adapter Cat. #
Black	E1016-2352	E1016-2382
Red	E1016-2354	E1016-2384
Green	E1016-2356	E1016-2386
White	E1016-2357	E1016-2387
Blue	E1016-2358	E1016-2388
Brown	E1016-2397	E1016-2389
Orange	E1016-2355	E1016-2385
Yellow	E1016-2353	E1016-2383

To order single packaged products, add a "K" suffix to the complete catalog number.

Dimensions:



Three-Way Lay Down "T" Connector

Three-Fer Tapping Tee 45° M-F-F-F

Crouse-Hinds
by **E.T.N**

11P

**Cable Size #2 AWG - 4 / 0 600V AC/DC
Up to 400A Continuous**

J Series E1016, Elastomeric or Rubber

Features:

- Double cam principle provides a positive, vibration-proof connection
- Self-compensating for wear
- No moving contact surfaces, eliminating arcing or burning
- Superior electro-mechanical connections
- Locked contacts will withstand a pulling force of 1,000 lbs.
- 1/3 of a turn assures a high pressure contact approaching 600 lbs. per sq. in., providing minimum resistance
- Contacts carefully machined from a high conductivity brass to a smooth sliding fit and easy locking action
- Product body molded from colorfast material, color-coded for easy phase identification; safety terminals are watertight elastomeric; terminals are rubber

Testing and Code Compliance:

- Listed to UL498, File No. E67181
- CSA certified to C22.2 No. 182.3-M1987, File No. LR13963

Material Characteristics:

- Body - TPE or rubber
- Environmental rating: NEMA 3R
- Temperature rating: -40°C to 105°C

Ordering Information - Female Terminal Connectors:



E1016-627

Hole size: 1/2"

Cable Size	Color	Angle Style Complete Cat. #	Offset Style Complete Cat. #
#2 - 4 / 0	Black	E1016-575	E1016-625
#2 - 4 / 0	Red	E1016-577	E1016-627
#2 - 4 / 0	Green	E1016-579	E1016-629
#2 - 4 / 0	White	E1016-580	E1016-630
#2 - 4 / 0	Blue	E1016-587	E1016-638
#2 - 4 / 0	Brown	E1016-590	E1016-639
#2 - 4 / 0	Orange	E1016-578	E1016-628
#2 - 4 / 0	Yellow	E1016-576	E1016-626

Ordering Information - Female Safety Terminals:



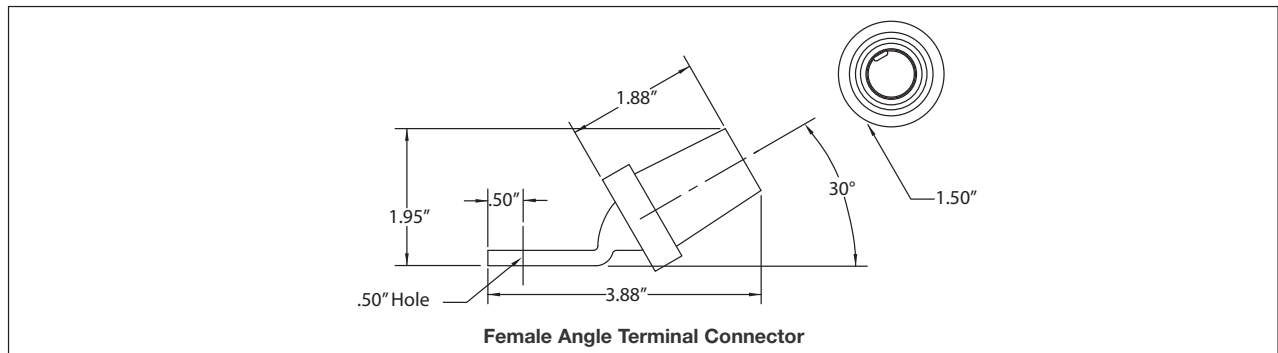
E1016-817

Tap hole: 1/2"-13

Cable Size	Color	Round Complete Cat. #	Rectangular Complete Cat. #
#2 - 4 / 0	Black	E1016-813	E1016-801
#2 - 4 / 0	Red	E1016-815	E1016-803
#2 - 4 / 0	Green	E1016-817	E1016-805
#2 - 4 / 0	White	E1016-818	E1016-806
#2 - 4 / 0	Blue	E1016-819	E1016-807
#2 - 4 / 0	Brown	E1016-820	E1016-808
#2 - 4 / 0	Orange	E1016-816	E1016-804
#2 - 4 / 0	Yellow	E1016-814	E1016-802

To order single packaged products, add a "K" suffix to the complete catalog number.

Dimensions:



11P