



ELLIOTT ELECTRIC SUPPLY

We Deliver...Lower Cost, Quality Products, & Personal Service

3804 South Street
75964-7263, TX Nacogdoches
Phone: 936-569-7941
Fax: 936-560-4685



A1412CHNFSS 14X12X6 N4X CH, CLMP LTCH

Hoffman Enclosures, Inc.

Catalog Number	A1412CHNFSS
Manufacturer	Hoffman Enclosures, Inc.
Description	
Weight per unit	30.1 (lbs/each)
Product Category	Nema Types 4 & 4X Metallic Enc

Features

Material	Stainless Steel Standard
----------	--------------------------

Dimensions and Weight

Size	14.00x12.00x6.00 in
------	---------------------

Descriptions

Description	14X12X6 N4X CH,CLMP LTCH
Product Type	Stainless CHNFSS Box 14.00
Special Features	16 and 14 gauge Type 304 or 316L stainless steel, Seams continuously welded and ground smooth , Seamless foam-in-place gasket, Stainless steel screws and clamps, Pull stainless steel continuous hinge pin to remove door , Weldnuts provided for mounting optional panels and terminal block kits , Bonding provision on door and body

Manufacturer Information

Brand	Nvent Hoffman
GTIN	00783510563004
Manufacturers Part Number	A1412CHNFSS
sub brand	Hoffman
UPC	783510563004

Taxonomies, Classifications, and Categories

Category Description	STEEL JUNCTION BOXES
Type	Continuous-Hinge with Clamps, Type 4X

Packaging

Carton	1
Package	2
Weight Per each	30.08



ELLIOTT ELECTRIC SUPPLY

We Deliver...Lower Cost, Quality Products, & Personal Service

3804 South Street
75964-7263, TX Nacogdoches
Phone: 936-569-7941
Fax: 936-560-4685

Uses, Certifications, and Standards

Application

Used in either indoor or outdoor applications, these enclosures combine a rugged continuous hinge, seamless foam-in-place gasket and stainless steel screw-down clamps for a reliable seal that protects components from corrosive environments.

standard

UL 50, 50E Listed, Type 3R, 4, 4X, 12, File No. E27567, cUL Listed per CSA C22.2 No 94, Type 3R, 4, 4X, 12, File No. E27567, UL 508A Listed, Type 3R, 4, 4X, 12, File No. E61997, cUL Listed per CSA C22.2 No 94, Type 3R, 4, 4X, 12, File No. E61997, NEMA/EEM

CONTINUOUS-HINGE WITH CLAMPS, TYPE 4X

INDUSTRY STANDARDS

UL 50, 50E Listed; Type 3R, 4, 4X, 12; File No. E27567
 cUL Listed per CSA C22.2 No 94; Type 3R, 4, 4X, 12; File No. E27567
 UL 508A Listed; Type 3R, 4, 4X, 12; File No. E61997
 cUL Listed per CSA C22.2 No 94; Type 3R, 4, 4X, 12; File No. E61997

NEMA/EEMAC Type 3R, 4, 4X, 12, 13
 CSA File No. 42184: Type 4, 4X, 12
 IEC 60529, IP66
 Meets NEMA Type 3RX requirements

APPLICATION

Used in either indoor or outdoor applications, these enclosures combine a rugged continuous hinge, seamless foam-in-place gasket and stainless steel screw-down clamps for a reliable seal that protects components from corrosive environments.

SPECIFICATIONS

- 16 and 14 gauge Type 304 or 316L stainless steel
- Seams continuously welded and ground smooth
- Seamless foam-in-place gasket
- Stainless steel screws and clamps
- Pull stainless steel continuous hinge pin to remove door
- Weldnuts provided for mounting optional panels and terminal block kits
- Bonding provision on door and body

FINISH

Cover and sides of body have smooth #4 brushed finish.

ACCESSORIES

- Fast-Operating Clamp-Cover Junction Box Clamp
- Lock Kit for Clamp Cover Junction Boxes
- Panels for Junction Boxes
- Terminal Block Kit Assembly for Junction Boxes Overview

MODIFICATION AND CUSTOMIZATION

Hoffman excels at modifying and customizing products to your specifications. Contact your local Hoffman sales office or distributor for complete information.

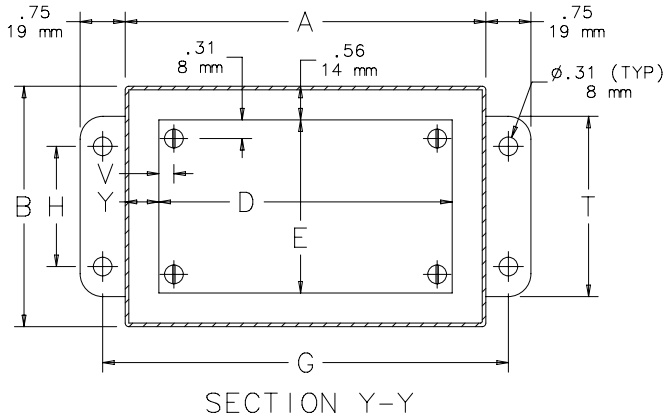
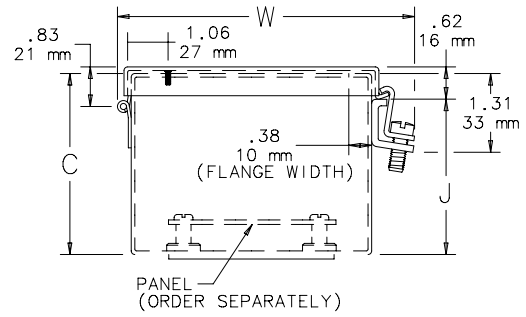
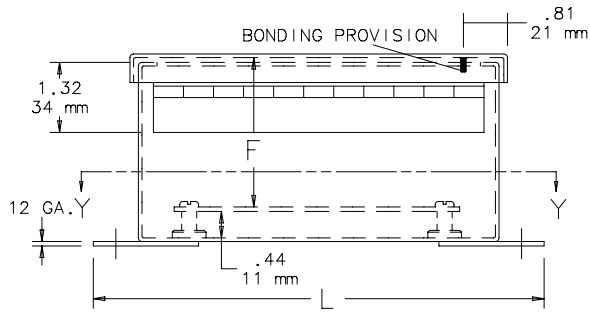
BULLETIN: A51S

Standard Product

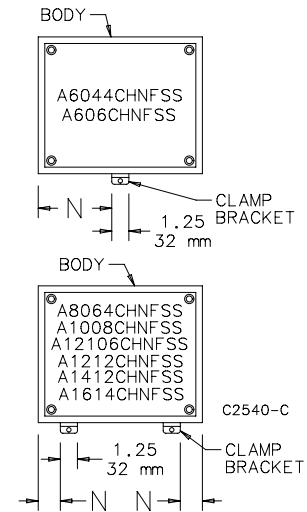
Catalog Number	AxBxC in./mm	Stainless Steel Type	UL Listed	Body Gauge	Cover Gauge	Steel Panel	Conductive Panel	Panel Size D x E in./mm	Mounting G x H in./mm	Overall L x W in./mm	F in./mm	J in./mm	N in./mm	T in./mm	V in./mm	Y in./mm
A6044CHNFSS	6.00 x 4.00 x 4.00 152 x 102 x 102	304	508A	16	16	A6P4	A6P4G	4.88 x 2.88 124 x 73	6.75 x 2.00 171 x 51	7.50 x 4.94 191 x 125	3.50 89	3.62 92	2.38 60	3.00 76	3.00 8	0.56 14
A606CHNFSS	6.00 x 6.00 x 4.00 152 x 152 x 102	304	50, 50E	16	16	A6P6	A6P6G	4.88 x 4.88 124 x 124	6.75 x 4.00 171 x 102	7.50 x 6.94 191 x 176	3.50 89	3.62 92	2.38 60	5.00 127	3.00 8	0.56 14
A8064CHNFSS	8.00 x 6.00 x 4.00 203 x 152 x 102	304	50, 50E	14	16	A8P6	A8P6G	6.75 x 4.88 171 x 124	8.75 x 4.00 222 x 102	9.50 x 6.94 241 x 176	3.50 89	3.62 92	1.38 35	5.00 127	0.25 6	0.62 16
A1008CHNFSS	10.00 x 8.00 x 4.00 254 x 203 x 102	304	50, 50E	14	16	A10P8	A10P8G	8.75 x 6.88 222 x 175	10.75 x 6.00 273 x 152	11.50 x 8.94 292 x 227	3.50 89	3.62 92	1.38 35	7.00 178	0.25 6	0.62 16
A12106CHNFSS	12.00 x 10.00 x 6.00 305 x 254 x 152	304	50, 50E	14	16	A12P10	A12P10G	10.75 x 8.88 273 x 225	12.75 x 8.00 324 x 203	13.50 x 10.94 343 x 278	5.50 140	5.62 143	2.38 60	9.00 229	0.25 6	0.62 16
A1212CHNFSS	12.00 x 12.00 x 6.00 305 x 305 x 152	304	50, 50E	14	16	A12P12	A12P12G	10.75 x 10.88 273 x 276	12.75 x 10.00 324 x 254	13.50 x 12.94 343 x 329	5.50 140	5.62 143	2.38 60	11.00 279	0.25 6	0.62 16
A1412CHNFSS	14.00 x 12.00 x 6.00 356 x 305 x 152	304	50, 50E	14	16	A14P12	A14P12G	12.75 x 10.88 324 x 276	14.75 x 10.00 375 x 254	15.50 x 12.94 394 x 329	5.50 140	5.62 143	2.38 60	11.00 279	0.25 6	0.62 16
A1614CHNFSS	16.00 x 14.00 x 6.00 406 x 356 x 152	304	508A	14	16	A16P14	A16P14G	14.75 x 12.88 375 x 327	16.75 x 12.00 425 x 305	17.50 x 14.94 445 x 379	5.50 140	5.62 143	2.38 60	13.00 330	0.25 6	0.62 16
A6044CHNFSS6	6.00 x 4.00 x 4.00 152 x 102 x 102	316L	50, 50E	16	16	A6P4	A6P4G	4.88 x 2.88 124 x 73	6.75 x 2.00 171 x 51	7.50 x 4.94 191 x 125	3.50 89	3.62 92	2.38 60	3.00 76	3.00 8	0.56 14
A606CHNFSS6	6.00 x 6.00 x 4.00 152 x 152 x 102	316L	50, 50E	16	16	A6P6	A6P6G	4.88 x 4.88 124 x 124	6.75 x 4.00 171 x 102	7.50 x 6.94 191 x 176	3.50 89	3.62 92	2.38 60	5.00 127	3.00 8	0.56 14
A8064CHNFSS6	8.00 x 6.00 x 4.00 203 x 152 x 102	316L	50, 50E	14	16	A8P6	A8P6G	6.75 x 4.88 171 x 124	8.75 x 4.00 222 x 102	9.50 x 6.94 241 x 176	3.50 89	3.62 92	1.38 35	5.00 127	0.25 6	0.62 16
A1008CHNFSS6	10.00 x 8.00 x 4.00 254 x 203 x 102	316L	50, 50E	14	16	A10P8	A10P8G	8.75 x 6.88 222 x 175	10.75 x 6.00 273 x 152	11.50 x 8.94 292 x 227	3.50 89	3.62 92	1.38 35	7.00 178	0.25 6	0.62 16
A12106CHNFSS6	12.00 x 10.00 x 6.00 305 x 254 x 152	316L	50, 50E	14	16	A12P10	A12P10G	10.75 x 8.88 273 x 225	12.75 x 8.00 324 x 203	13.50 x 10.94 343 x 278	5.50 140	5.62 143	2.38 60	9.00 229	0.25 6	0.62 16
A1212CHNFSS6	12.00 x 12.00 x 6.00 305 x 305 x 152	316L	50, 50E	14	16	A12P12	A12P12G	10.75 x 10.88 273 x 276	12.75 x 10.00 324 x 254	13.50 x 12.94 343 x 329	5.50 140	5.62 143	2.38 60	11.00 279	0.25 6	0.62 16
A1412CHNFSS6	14.00 x 12.00 x 6.00 356 x 305 x 152	316L	50, 50E	14	16	A14P12	A14P12G	12.75 x 10.88 324 x 276	14.75 x 10.00 375 x 254	15.50 x 12.94 394 x 329	5.50 140	5.62 143	2.38 60	11.00 279	0.25 6	0.62 16
A1614CHNFSS6	16.00 x 14.00 x 6.00 406 x 356 x 152	316L	50, 50E	14	16	A16P14	A16P14G	14.75 x 12.88 375 x 327	16.75 x 12.00 425 x 305	17.50 x 14.94 445 x 379	5.50 140	5.62 143	2.38 60	13.00 330	0.25 6	0.62 16

A6044CHNFSS and A6044CHNFSS6 UL 508A Listed. The remaining catalog numbers are UL 50 Listed.

Purchase panels separately. Optional stainless steel, composite and aluminum panels are available for most sizes.



CLAMP BRACKET LOCATIONS



- NOTE:
1. Optional panels are 14 gauge steel, conductive steel or stainless steel
 2. Panel screws are #10-32 pan head