

Roughneck High Amperage Connectors are rugged and weatherproof and provide a high level of indestructibility. They are built to take heavy abuse (resistant to wind, rain, mud, oil, and sea water), yet can be quickly connected and disconnected without any tools.

Specially designed to handle a variety of drilling applications, they can be quickly and safely connected to the switchgear, AC or DC sides of the SCR package, and carry power to mud pumps and traction motors.

The latching device locks the halves together, eliminating the possibility of accidental disengagement, which can cause disruption of service and electrical shock hazards. The latching device is designed to permit insertion of a lockout/tagout device to provide additional security or the ability to padlock.

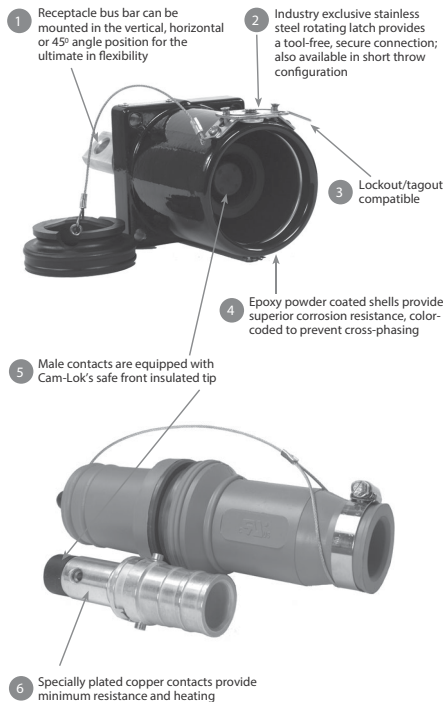
Roughneck Plugs and Receptacles feature totally shielded contacts. The rubber insulator extends past the ends of both male and female contacts for complete safety. Male contacts are equipped with an insulated tip to minimize potential shock hazard. Roughneck products provide the safest high amperage connector in the industry.

Ten colors are available to provide easy circuit identification when mating plugs with receptacles. Color coding helps prevent reverse phasing on AC circuits or cross polarization on DC circuits to assure correct rotation of motors while providing for operator safety.

Applications:

- Roughneck Plugs and Receptacles are built to take heavy abuse while providing a simple, secure, and safe connection
- Roughneck products are designed specifically for oil and gas drilling applications

Features:



Electrical Ratings:

- 1000 Volts, Max. AC/DC
- 1135 amps continuous (1300 amps intermittent)

Temperature Ratings:

- -40°C to 125°C

Certifications and Compliances:

- cURus: E73864

Environmental Ratings:

- NEMA 3

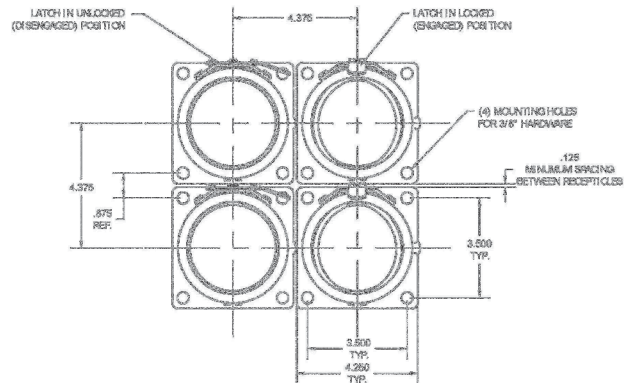
Standard Materials:

- Cable sizes - 313-777 MCM
- Insulator - rubber
- Receptacle shell - epoxy powder coated aluminum alloy
- Hardware - stainless steel
- Contact - copper

Ampacity Rating - 40°C Ambient

Cable Size	90°C†	125°C†
313 MCM	513 amps	636 amps
444 MCM	642 amps	796 amps
535 MCM	724 amps	898 amps
646 MCM	814 amps	1009 amps
777 MCM	916 amps	1135 amps

†Conductor temperature shall not exceed these ratings.



Receptacle housing mounting pattern (rotating latch)
(0.125" minimum spacing required between receptacles)

10P

Roughneck E1049 Series Male & Female Plugs

NEMA 3

10P

Cable Size 313 MCM
1000V AC/DC, Up to 636A Continuous

Roughneck E1049 Series Hex Crimp or Solder

Features:

- Contacts machined from solid copper and specially plated for corrosion resistance and superior conductivity
- Color-coded rubber insulator provides quick visual identification of circuit and phase connections
- Watertight insulators provide maximum protection
- Male and female contacts are assembled to cable with standard crimp tools
- Drive pins on contacts securely lock it to the insulator
- Male contacts are equipped with Safe Front Insulated Tip


Testing and Code Compliance:

- cURus: E73864


Material Characteristics:

- Insulator: rubber
- Environmental: NEMA 3
- Temperature rating: -40°C to 125°C

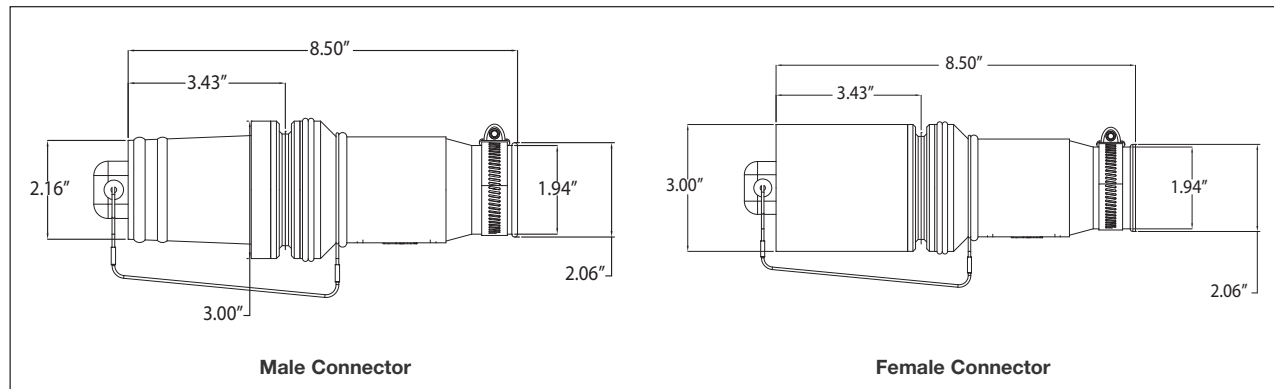
Ordering Information - Male Plugs:

Type of Connection and Wire Size	Color	Complete Male Connector Cat. #	Insulator Only Cat. #	Contact Only Cat. #
 <p>Hexagon Crimp or Solder for 313 MCM</p> <p>E1049-34</p>	Black	E1049-31	A201106-1	A201107-4
	Yellow	E1049-32	A201106-2	
	Red	E1049-33	A201106-3	
	Orange	E1049-34	A201106-4	
	Green	E1049-35	A201106-5	
	White	E1049-36	A201106-6	
	Blue	E1049-37	A201106-7	
	Brown	E1049-38	A201106-8	
	Purple	E1049-39	A201106-20	
	Gray	E1049-40	A201106-21	

Ordering Information - Female Plugs:

Type of Connection and Wire Size	Color	Complete Female Connector Cat. #	Insulator Only Cat. #	Contact Only Cat. #
 <p>Hexagon Crimp or Solder for 313 MCM</p> <p>E1049-82</p>	Black	E1049-80	A201100-1	A201103-4
	Yellow	E1049-81	A201100-2	
	Red	E1049-82	A201100-3	
	Orange	E1049-83	A201100-4	
	Green	E1049-84	A201100-5	
	White	E1049-85	A201100-6	
	Blue	E1049-86	A201100-7	
	Brown	E1049-87	A201100-8	
	Purple	E1049-88	A201100-25	
	Gray	E1049-89	A201100-26	

Dimensions:



Cable Size 444 MCM
1000V AC/DC, Up to 796A Continuous

Roughneck E1049 Series Hex Crimp or Solder

Features:

- Contacts machined from solid copper and specially plated for corrosion resistance and superior conductivity
- Color-coded rubber insulator provides quick visual identification of circuit and phase connections
- Watertight insulators provide maximum protection
- Male and female contacts are assembled to cable with standard crimp tools
- Drive pins on contacts securely lock it to the insulator
- Male contacts are equipped with Safe Front Insulated Tip

Testing and Code Compliance:

- cURus: E73864

Material Characteristics:

- Insulator: rubber
- Environmental: NEMA 3
- Temperature rating: -40°C to 125°C

Ordering Information - Male Plugs:



Type of Connection
and Wire Size
**Hexagon Crimp
or Solder for
444 MCM**

E1049-210

Type of Connection and Wire Size	Color	Complete Male Connector Cat. #	Insulator Only Cat. #	Contact Only Cat. #
	Black	E1049-201	A201106-1	
	Yellow	E1049-202	A201106-2	
	Red	E1049-203	A201106-3	
	Orange	E1049-204	A201106-4	
	Green	E1049-205	A201106-5	A201107-8
	White	E1049-206	A201106-6	
	Blue	E1049-207	A201106-7	
	Brown	E1049-208	A201106-8	
	Purple	E1049-209	A201106-20	
	Gray	E1049-210	A201106-21	

Ordering Information - Female Plugs:

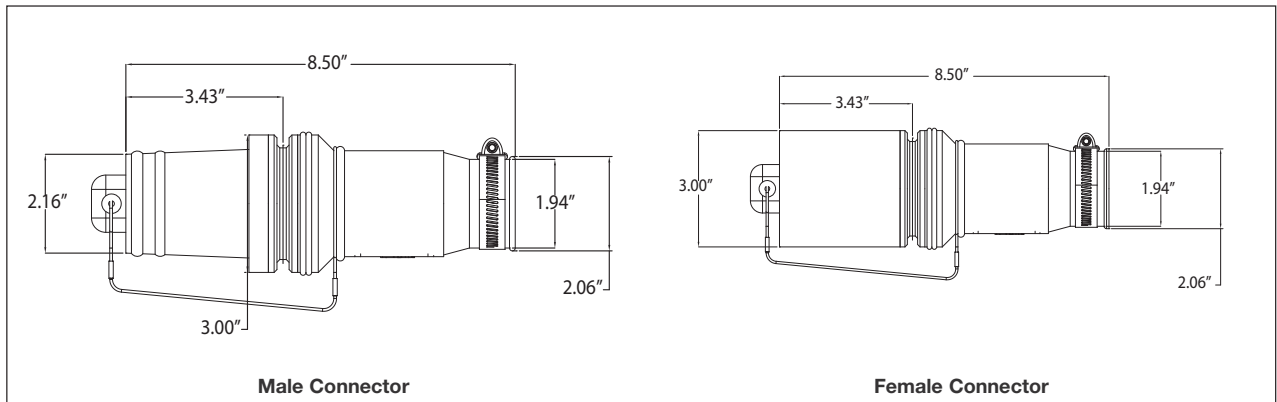


Type of Connection
and Wire Size
**Hexagon Crimp
or Solder for
444 MCM**

E1049-256

Type of Connection and Wire Size	Color	Complete Female Connector Cat. #	Insulator Only Cat. #	Contact Only Cat. #
	Black	E1049-250	A201100-1	
	Yellow	E1049-251	A201100-2	
	Red	E1049-252	A201100-3	
	Orange	E1049-253	A201100-4	
	Green	E1049-254	A201100-5	A201103-8
	White	E1049-255	A201100-6	
	Blue	E1049-256	A201100-7	
	Brown	E1049-257	A201100-8	
	Purple	E1049-258	A201100-25	
	Gray	E1049-259	A201100-26	

Dimensions:



10P

Roughneck E1049 Series Male & Female Plugs

NEMA 3

10P

Cable Size 535 MCM
1000V AC/DC, Up to 898A Continuous

Roughneck E1049 Series Hex Crimp or Solder

Features:

- Contacts machined from solid copper and specially plated for corrosion resistance and superior conductivity
- Color-coded rubber insulator provides quick visual identification of circuit and phase connections
- Watertight insulators provide maximum protection
- Male and female contacts are assembled to cable with standard crimp tools
- Drive pins on contacts securely lock it to the insulator
- Male contacts are equipped with Safe Front Insulated Tip


Testing and Code Compliance:

- cURus: E73864


Material Characteristics:

- Insulator: rubber
- Environmental: NEMA 3
- Temperature rating: -40°C to 125°C

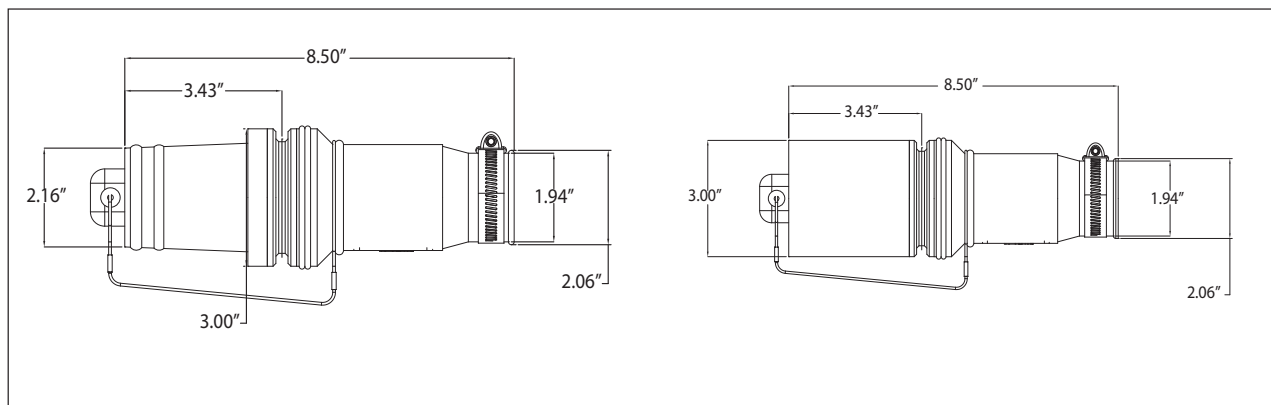
Ordering Information - Male Plugs:

Type of Connection and Wire Size	Color	Complete Male Connector Cat. #	Insulator Only Cat. #	Contact Only Cat. #
 <p>Hexagon Crimp or Solder for 535 MCM</p> <p>E1049-10</p>	Black	E1049-1	A201106-1	A201107-1
	Yellow	E1049-2	A201106-2	
	Red	E1049-3	A201106-3	
	Orange	E1049-4	A201106-4	
	Green	E1049-5	A201106-5	
	White	E1049-6	A201106-6	
	Blue	E1049-7	A201106-7	
	Brown	E1049-8	A201106-8	
	Purple	E1049-9	A201106-20	
	Gray	E1049-10	A201106-21	

Ordering Information - Female Plugs:

Type of Connection and Wire Size	Color	Complete Female Connector Cat. #	Insulator Only Cat. #	Contact Only Cat. #
 <p>Hexagon Crimp or Solder for 535 MCM</p> <p>E1049-58</p>	Black	E1049-50	A201100-1	A201103-1
	Yellow	E1049-51	A201100-2	
	Red	E1049-52	A201100-3	
	Orange	E1049-53	A201100-4	
	Green	E1049-54	A201100-5	
	White	E1049-55	A201100-6	
	Blue	E1049-56	A201100-7	
	Brown	E1049-57	A201100-8	
	Purple	E1049-58	A201100-25	
	Gray	E1049-59	A201100-26	

Dimensions:



10P Roughneck E1049 Series Male & Female Plugs

NEMA 3

Cable Size 646 MCM
1000V AC/DC, Up to 1009A Continuous

Roughneck E1049 Series Hex Crimp or Solder

Features:

- Contacts machined from solid copper and specially plated for corrosion resistance and superior conductivity
- Color-coded rubber insulator provides quick visual identification of circuit and phase connections
- Watertight insulators provide maximum protection
- Male and female contacts are assembled to cable with standard crimp tools
- Drive pins on contacts securely lock it to the insulator
- Male contacts are equipped with Safe Front Insulated Tip


Testing and Code Compliance:

- cURus: E73864


Material Characteristics:

- Insulator: rubber
- Environmental: NEMA 3
- Temperature rating: -40°C to 125°C

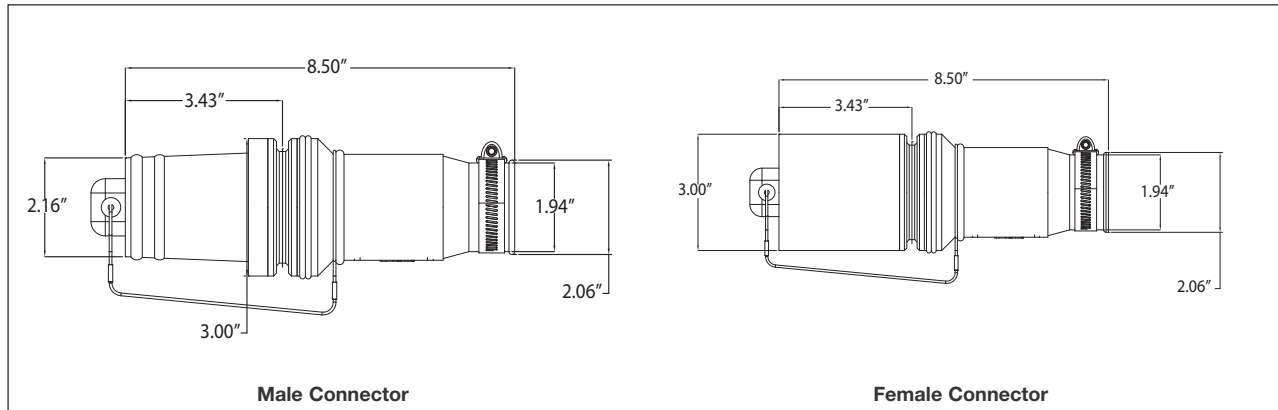
Ordering Information - Male Plugs:

Type of Connection and Wire Size	Color	Complete Male Connector Cat. #	Insulator Only Cat. #	Contact Only Cat. #
 <p>Hexagon Crimp or Solder for 646 MCM</p> <p>E1049-14</p>	Black	E1049-11	A201106-1	A201107-2
	Yellow	E1049-12	A201106-2	
	Red	E1049-13	A201106-3	
	Orange	E1049-14	A201106-4	
	Green	E1049-15	A201106-5	
	White	E1049-16	A201106-6	
	Blue	E1049-17	A201106-7	
	Brown	E1049-18	A201106-8	
	Purple	E1049-19	A201106-20	
	Gray	E1049-20	A201106-21	

Ordering Information - Female Plugs:

Type of Connection and Wire Size	Color	Complete Female Connector Cat. #	Insulator Only Cat. #	Contact Only Cat. #
 <p>Hexagon Crimp or Solder for 646 MCM</p> <p>E1049-64</p>	Black	E1049-60	A201100-1	A201103-2
	Yellow	E1049-61	A201100-2	
	Red	E1049-62	A201100-3	
	Orange	E1049-63	A201100-4	
	Green	E1049-64	A201100-5	
	White	E1049-65	A201100-6	
	Blue	E1049-66	A201100-7	
	Brown	E1049-67	A201100-8	
	Purple	E1049-68	A201100-25	
	Gray	E1049-69	A201100-26	

Dimensions:



10P

Roughneck E1049 Series Male & Female Plugs

NEMA 3

10P

Cable Size 777 MCM
1000V AC/DC, Up to 1135A Continuous

Roughneck E1049 Series Hex Crimp or Solder

Features:

- Contacts machined from solid copper and specially plated for corrosion resistance and superior conductivity
- Color-coded rubber insulator provides quick visual identification of circuit and phase connections
- Watertight insulators provide maximum protection
- Male and female contacts are assembled to cable with standard crimp tools
- Drive pins on contacts securely lock it to the insulator
- Male contacts are equipped with Safe Front Insulated Tip


Testing and Code Compliance:

- cURus: E73864


Material Characteristics:

- Insulator: rubber
- Environmental: NEMA 3
- Temperature rating: -40°C to 125°C

Ordering Information - Male Plugs:

Type of Connection and Wire Size	Color	Complete Male Connector Cat. #	Insulator Only Cat. #	Contact Only Cat. #
 <p>Hexagon Crimp or Solder for 777 MCM</p> <p>E1049-29</p>	Black	E1049-21	A201106-1	A201107-3
	Yellow	E1049-22	A201106-2	
	Red	E1049-23	A201106-3	
	Orange	E1049-24	A201106-4	
	Green	E1049-25	A201106-5	
	White	E1049-26	A201106-6	
	Blue	E1049-27	A201106-7	
	Brown	E1049-28	A201106-8	
	Purple	E1049-29	A201106-20	
	Gray	E1049-30	A201106-21	

Ordering Information - Female Plugs:

Type of Connection and Wire Size	Color	Complete Female Connector Cat. #	Insulator Only Cat. #	Contact Only Cat. #
 <p>Hexagon Crimp or Solder for 777 MCM</p> <p>E1049-76</p>	Black	E1049-70	A201100-1	A201103-3
	Yellow	E1049-71	A201100-2	
	Red	E1049-72	A201100-3	
	Orange	E1049-73	A201100-4	
	Green	E1049-74	A201100-5	
	White	E1049-75	A201100-6	
	Blue	E1049-76	A201100-7	
	Brown	E1049-77	A201100-8	
	Purple	E1049-78	A201100-25	
	Gray	E1049-79	A201100-26	

Dimensions:

