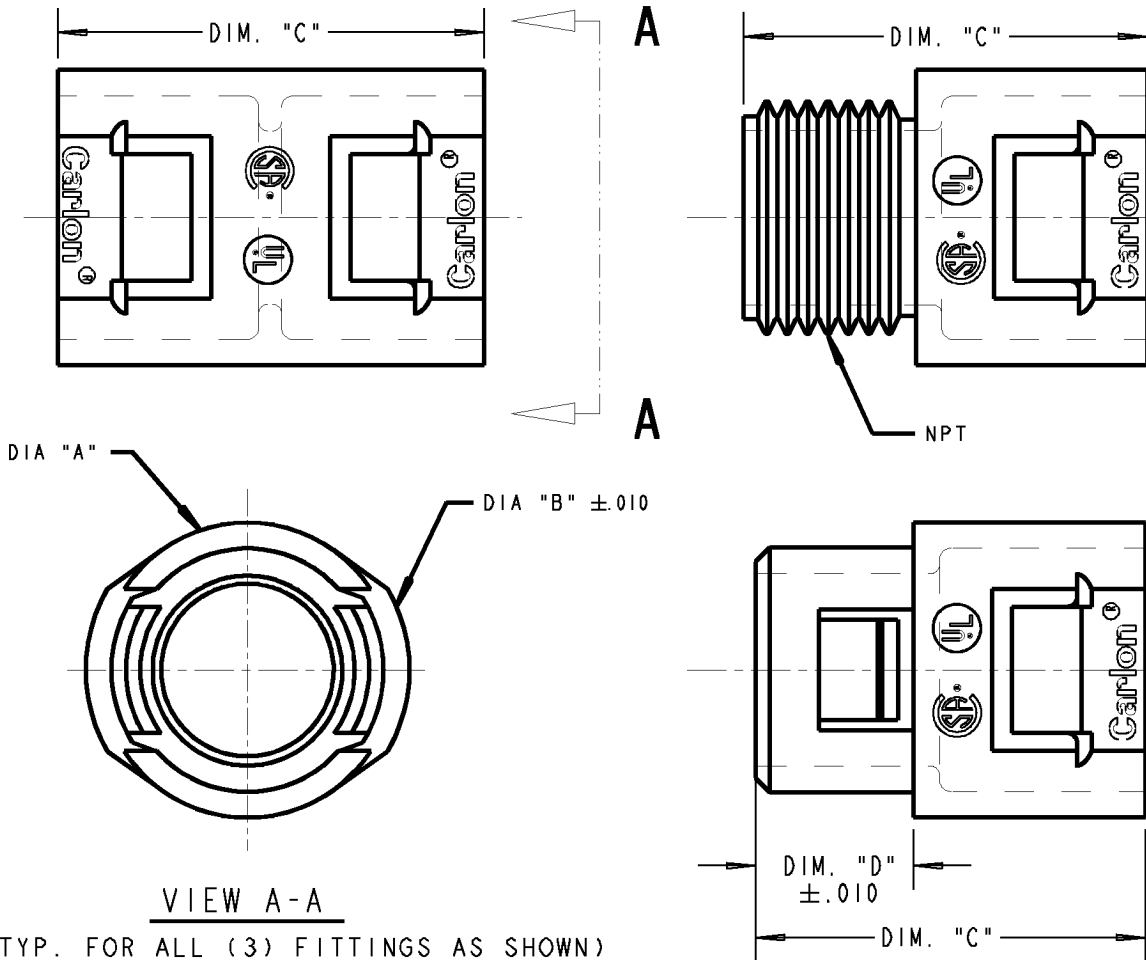



Carlton®



NOTE:
SEE CHART
ON SHT. 2

NOTES:

1. MAT'L: BLUE POLYCARBONATE
2. CHART DIMENSIONS ARE IN INCHES.
3. ONE PIECE ENT QUICK CONNECT COUPLINGS, THREADED ADAPTERS AND SNAP-IN TERMINATOR ADAPTERS ARE SUITABLE FOR DAMP LOCATIONS.
4. QUICK CONNECT COUPLINGS AND THREADED ADAPTERS ARE CONCRETE-TIGHT WHEN USED WITH CARLON ENT.
WHEN ONE PIECE QUICK CONNECT SNAP-IN TERMINATOR ADAPTERS ARE INSTALLED IN A CONCRETE APPLICATION, CARLON'S FLAT SEALING WASHERS MUST BE USED ON THE BOX CONNECTION ENDS.
5. MAT'L: ORANGE PC

GENERAL NOTES		 www.tnb.com			
1. ALL DIMENSIONS ARE FOR REFERENCE ONLY. 2. DIMENSIONS IN BRACKETS [] ARE IN METRIC UNITS.					
REVISIONS		DESCRIPTION: ENT COUPLING/ADAPTERS 1/2", 3/4" & 1"			
*** SEE ERN (****) FOR APPROVAL SIGNATURES & RELEASE DATE. PROJECT NO: ****		ORIGINAL PROJECT NO / (ERN NO)	SHEET NO:	REV. NO:	DRAWING NO:
		/ ()	1 OF 2	D	WSD-AC02379

Carlton®

"ENT COUPLINGS/ADAPTERS"							
PART NO. SEE NOTE 1	PART NO. SEE NOTE 5	SIZE	A	B	C	D	E
		IN MM	IN MM	IN MM	IN MM	IN MM	IN MM
A240D A240D-CAR A240DCL A240DL	--	1/2" 12.7	1.026 26	1.126 29	1.586 40	—	—
A240E A240E-CAR A240ECL A240EEL	SCA240E	3/4" 19	1.246 31	1.346 34	1.856 47	—	—
A240F	SCA240F	1" 25.4	1.521 39	1.621 41	1.856 47	—	—
A243D A243DC A243D-CAR A243DC-CAR A243DCL A243DL	--	1/2" 12.7	1.026 26	1.126 41	1.586 40	.563 14	—
A243E A243EC A243E-CAR A243EC-CAR A243ECL A243EL	SCA243E	3/4" 19	1.246 32	1.346 34	1.856 47	.563 14	—
A243F A243FC	SCA243F	1" 25.4	1.521 39	1.621 41	1.856 47	.688 17	—
A253D A253D-CAR A253DCL A253DL	--	1/2" 12.7	1.026 26	1.126 41	1.406 36	.563 14	.850 21
A253E A253E-CAR A253ECL A253EL	SCA253E	3/4" 19	1.246 31	1.346 34	1.541 39	.563 14	1.084 27
A253F	SCA253F	1" 25.4	1.521 39	1.621 41	1.666 42	.688 17	1.354 34

Thomas & Betts

www.tnb.com

DESCRIPTION: ENT COUPLING/ADAPTERS 1/2", 3/4" & 1"

SHEET NO:

2 OF 2

REV. NO:

D

DRAWING NO:

WSD-AC02379