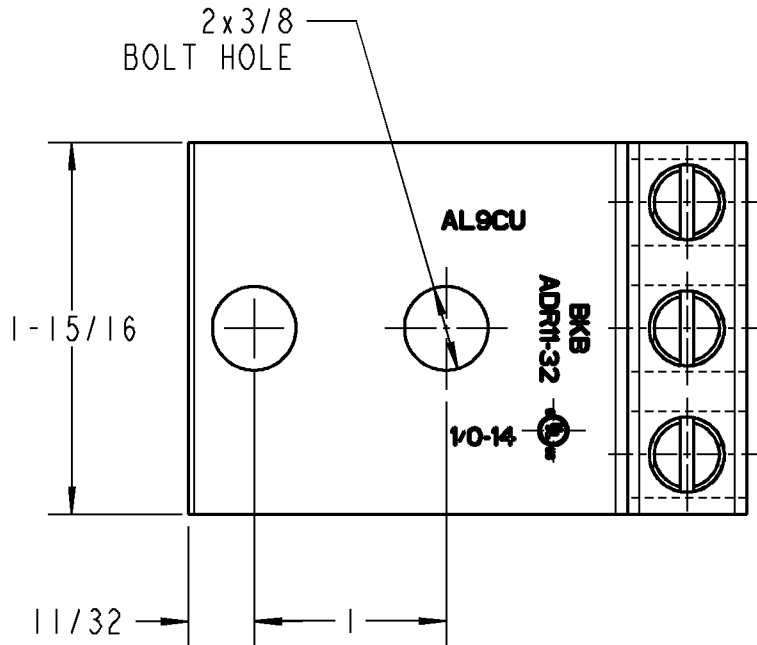
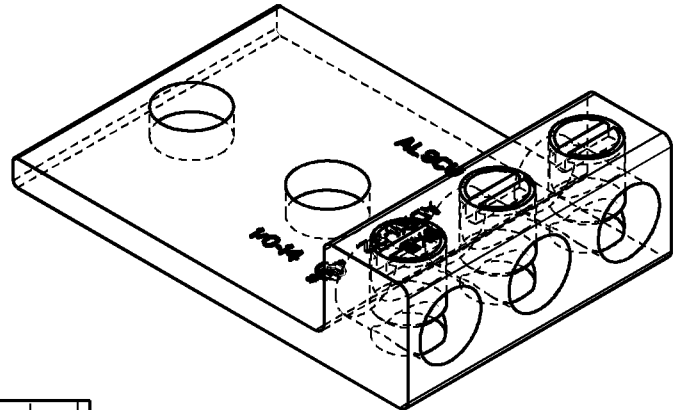
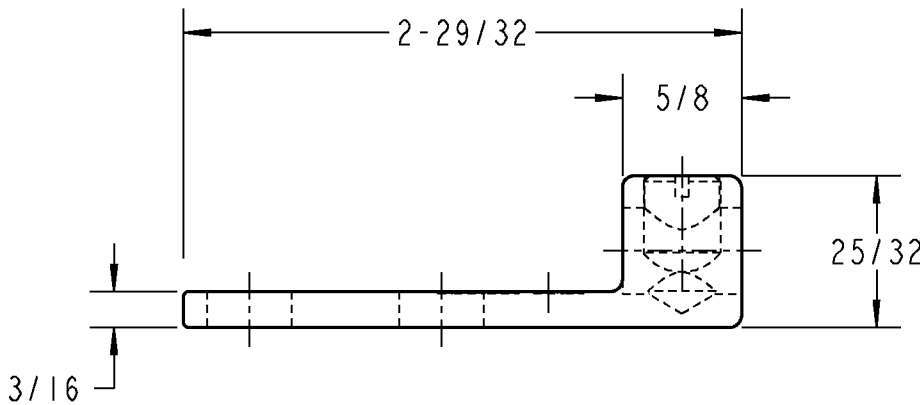


# Blackburn



NOTES:  
 MATERIAL ALUMINUM  
 PLATING ELETRO TIN  
 AGENCY: C UL US  
 TEMPERATURE RATING 90° C  
 WIRE RANGE 1/0 - 14 AWG



<b>GENERAL NOTES</b>		<b>Thomas &amp; Betts</b> A Member of the ABB Group			
1. ALL DIMENSIONS ARE FOR REFERENCE ONLY. 2. DIMENSIONS IN BRACKETS [ ] ARE IN METRIC UNITS.					
<b>REVISIONS</b>		<b>DESCRIPTION: ALUMINUM MECHANICAL LUG WIRE RANGE 1/0 - 14 AWG</b>			
** SEE ERN ( **** ) FOR APPROVAL SIGNATURES & RELEASE DATE. PROJECT NO: ****		ORIGINAL PROJECT NO / ( ERN NO ) <b>CM403099 / (2015614)</b>	SHEET NO: <b>1 OF 1</b>	REV. NO: <b>**</b>	DRAWING NO: <b>WSD-001273</b>