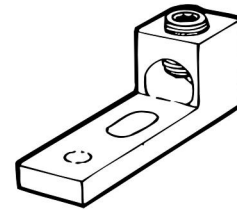
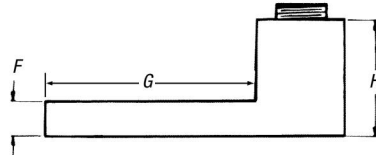
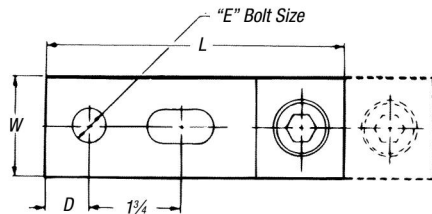


## Dual-Rated Mechanical Connectors

### Type ADR — ALCÜL™ Single-Conductor, Switchgear Mount\*

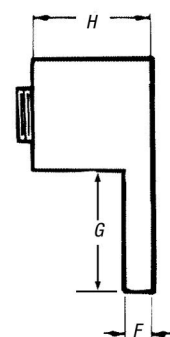
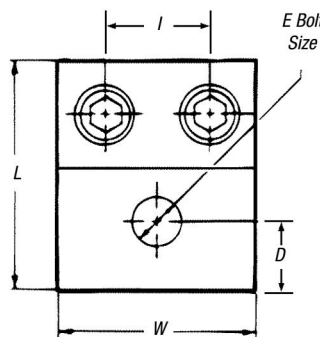


CAT. NO.	CONDUCTOR RANGE (AL OR CU)		DIMENSIONS (IN.)						
	MAX.	MIN.	L	W	H	D	E	F	G
ADR25-12S	250 kcmil	3/0 Str.	3	1	1 <sup>3</sup> / <sub>16</sub>	1/2	3/8	1/4	2
ADR35-12S	350 kcmil	4 Str.	4 <sup>1</sup> / <sub>16</sub>	1 <sup>1</sup> / <sub>4</sub>	1 <sup>1</sup> / <sub>16</sub>	2 <sup>3</sup> / <sub>32</sub>	1/2	7/16	3 <sup>3</sup> / <sub>16</sub>
ADR50-12S	500 kcmil	400 kcmil	4 <sup>1</sup> / <sub>16</sub>	1 <sup>1</sup> / <sub>4</sub>	1 <sup>1</sup> / <sub>16</sub>	2 <sup>3</sup> / <sub>32</sub>	1/2	7/16	3 <sup>3</sup> / <sub>16</sub>
ADR80-12DS	800 kcmil	300 kcmil	6 <sup>3</sup> / <sub>16</sub>	1 <sup>5</sup> / <sub>8</sub>	1 <sup>7</sup> / <sub>8</sub>	2 <sup>3</sup> / <sub>32</sub>	1/2	9/16	3 <sup>3</sup> / <sub>16</sub>
ADR99-12DS	1,000 kcmil	350 kcmil	6 <sup>3</sup> / <sub>16</sub>	1 <sup>5</sup> / <sub>8</sub>	1 <sup>7</sup> / <sub>8</sub>	2 <sup>3</sup> / <sub>32</sub>	1/2	9/16	3 <sup>3</sup> / <sub>16</sub>

\* NEMA Spacing: 1<sup>3</sup>/<sub>4</sub>" centers except ADR25-12S: 1" centers.

Connectors accommodating conductors 600 kcmil and larger have double row of set screws (D suffix).

### Type ADR — ALCÜL™ Two-Conductor, One-Hole Mount



CAT. NO.	CONDUCTOR RANGE (AL OR CU)		DIMENSIONS (IN.)							
	MAX.	MIN.	L	W	H	D	E	F	G	I
ADR11-21	1/0 Str.	#14	1 <sup>15</sup> / <sub>32</sub>	1 <sup>1</sup> / <sub>32</sub>	2 <sup>5</sup> / <sub>32</sub>	7/16	1/4	3/16	2 <sup>7</sup> / <sub>32</sub>	3 <sup>5</sup> / <sub>64</sub>
ADR21-21*	2/0 Str.	#14	1 <sup>15</sup> / <sub>32</sub>	1/4	2 <sup>5</sup> / <sub>32</sub>	2 <sup>7</sup> / <sub>64</sub>	1/4	3/16	2 <sup>7</sup> / <sub>32</sub>	2 <sup>1</sup> / <sub>32</sub>
ADR25-21	250	#6 Str.	2 <sup>9</sup> / <sub>16</sub>	1 <sup>4</sup> / <sub>64</sub>	1 <sup>3</sup> / <sub>16</sub>	7/8	3/8	1/4	1 <sup>9</sup> / <sub>16</sub>	1 <sup>9</sup> / <sub>16</sub>
ADR35-21	350	#6 Str.	2 <sup>7</sup> / <sub>8</sub>	1 <sup>9</sup> / <sub>64</sub>	1 <sup>1</sup> / <sub>4</sub>	7/8	1/2	1/4	1 <sup>3</sup> / <sub>4</sub>	6 <sup>1</sup> / <sub>64</sub>
ADR60-21	600	#2 Str.	3 <sup>3</sup> / <sub>16</sub>	2 <sup>13</sup> / <sub>32</sub>	1 <sup>1</sup> / <sub>16</sub>	5/8	1/2	7/16	1 <sup>13</sup> / <sub>16</sub>	1 <sup>1</sup> / <sub>32</sub>
ADR80-21	800	300	3 <sup>3</sup> / <sub>8</sub>	3 <sup>3</sup> / <sub>16</sub>	1 <sup>15</sup> / <sub>16</sub>	7/8	5/8	1/2	1 <sup>3</sup> / <sub>4</sub>	1 <sup>5</sup> / <sub>8</sub>
ADR99-21	1000	500	3 <sup>3</sup> / <sub>8</sub>	3 <sup>3</sup> / <sub>16</sub>	1 <sup>15</sup> / <sub>16</sub>	7/8	5/8	1/2	1 <sup>3</sup> / <sub>4</sub>	1 <sup>5</sup> / <sub>8</sub>

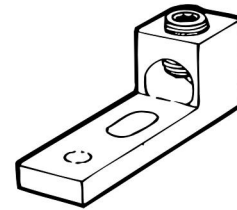
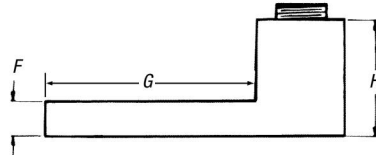
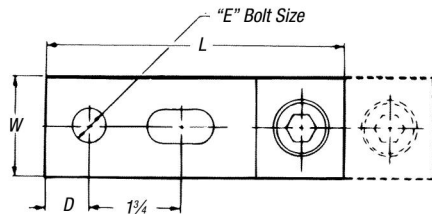
\* Not CSA Certified.

UL 486B

AL9CU

## Dual-Rated Mechanical Connectors

### Type ADR — ALCÜL™ Single-Conductor, Switchgear Mount\*

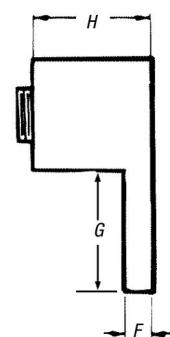
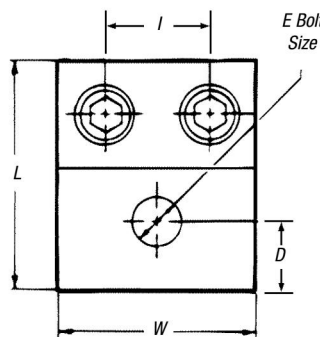


CAT. NO.	CONDUCTOR RANGE (AL OR CU)		DIMENSIONS (IN.)						
	MAX.	MIN.	L	W	H	D	E	F	G
ADR25-12S	250 kcmil	3/0 Str.	3	1	1 <sup>3</sup> / <sub>16</sub>	1/2	3/8	1/4	2
ADR35-12S	350 kcmil	4 Str.	4 <sup>1</sup> / <sub>16</sub>	1 <sup>1</sup> / <sub>4</sub>	1 <sup>1</sup> / <sub>16</sub>	2 <sup>3</sup> / <sub>32</sub>	1/2	7/16	3 <sup>3</sup> / <sub>16</sub>
ADR50-12S	500 kcmil	400 kcmil	4 <sup>1</sup> / <sub>16</sub>	1 <sup>1</sup> / <sub>4</sub>	1 <sup>1</sup> / <sub>16</sub>	2 <sup>3</sup> / <sub>32</sub>	1/2	7/16	3 <sup>3</sup> / <sub>16</sub>
ADR80-12DS	800 kcmil	300 kcmil	6 <sup>3</sup> / <sub>16</sub>	1 <sup>5</sup> / <sub>8</sub>	1 <sup>7</sup> / <sub>8</sub>	2 <sup>3</sup> / <sub>32</sub>	1/2	9/16	3 <sup>3</sup> / <sub>16</sub>
ADR99-12DS	1,000 kcmil	350 kcmil	6 <sup>3</sup> / <sub>16</sub>	1 <sup>5</sup> / <sub>8</sub>	1 <sup>7</sup> / <sub>8</sub>	2 <sup>3</sup> / <sub>32</sub>	1/2	9/16	3 <sup>3</sup> / <sub>16</sub>

\* NEMA Spacing: 1<sup>3</sup>/<sub>4</sub>" centers except ADR25-12S: 1" centers.

Connectors accommodating conductors 600 kcmil and larger have double row of set screws (D suffix).

### Type ADR — ALCÜL™ Two-Conductor, One-Hole Mount



CAT. NO.	CONDUCTOR RANGE (AL OR CU)		DIMENSIONS (IN.)							
	MAX.	MIN.	L	W	H	D	E	F	G	I
ADR11-21	1/0 Str.	#14	1 <sup>15</sup> / <sub>32</sub>	1 <sup>1</sup> / <sub>32</sub>	2 <sup>5</sup> / <sub>32</sub>	7/16	1/4	3/16	2 <sup>7</sup> / <sub>32</sub>	3 <sup>5</sup> / <sub>64</sub>
ADR21-21*	2/0 Str.	#14	1 <sup>15</sup> / <sub>32</sub>	1/4	2 <sup>5</sup> / <sub>32</sub>	2 <sup>7</sup> / <sub>64</sub>	1/4	3/16	2 <sup>7</sup> / <sub>32</sub>	2 <sup>1</sup> / <sub>32</sub>
ADR25-21	250	#6 Str.	2 <sup>9</sup> / <sub>16</sub>	1 <sup>4</sup> / <sub>64</sub>	1 <sup>3</sup> / <sub>16</sub>	7/8	3/8	1/4	1 <sup>9</sup> / <sub>16</sub>	1 <sup>9</sup> / <sub>16</sub>
ADR35-21	350	#6 Str.	2 <sup>7</sup> / <sub>8</sub>	1 <sup>59</sup> / <sub>64</sub>	1 <sup>1</sup> / <sub>4</sub>	7/8	1/2	1/4	1 <sup>3</sup> / <sub>4</sub>	6 <sup>1</sup> / <sub>64</sub>
ADR60-21	600	#2 Str.	3 <sup>3</sup> / <sub>16</sub>	2 <sup>13</sup> / <sub>32</sub>	1 <sup>1</sup> / <sub>16</sub>	5/8	1/2	7/16	1 <sup>1</sup> / <sub>16</sub>	1 <sup>1</sup> / <sub>32</sub>
ADR80-21	800	300	3 <sup>3</sup> / <sub>8</sub>	3 <sup>3</sup> / <sub>16</sub>	1 <sup>15</sup> / <sub>16</sub>	7/8	5/8	1/2	1 <sup>3</sup> / <sub>4</sub>	1 <sup>5</sup> / <sub>8</sub>
ADR99-21	1000	500	3 <sup>3</sup> / <sub>8</sub>	3 <sup>3</sup> / <sub>16</sub>	1 <sup>15</sup> / <sub>16</sub>	7/8	5/8	1/2	1 <sup>3</sup> / <sub>4</sub>	1 <sup>5</sup> / <sub>8</sub>

\* Not CSA Certified.

UL 486B

AL9CU