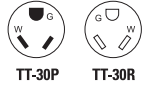


RV and Trailer Power Devices



Project Name:	Prepared By:
Project Number:	Date:
Catalog Number:	Type:

Description

NEMA TT-30, 125V/AC, 2-Pole, 3-Wire Grounding



AH1263



83



1264

Design features for receptacles

- For use with travel trailers and RVs
- Heavy gauge galvanized steel mounting straps for corrosion resistance
- Terminal pressure plates for enhanced wire retention strength

Design features for plugs & connectors

- Angled power plug offers compact footprint while in use
- Terminals have pressure plates to protect wires
- 1264 adapts travel trailer plug to female 15A or 20A, 125V/AC 5-15R or 5-20R receptacle

Table 1. NEMA TT-30 Travel Trailer Power Devices

Catalog No.	Description	Amps	Volts	Color
<input type="checkbox"/> AH1263BK	Heavy-duty flush mount power receptacle	30	125	Black
<input type="checkbox"/> 83	Angled power plug	30	125	Black
<input type="checkbox"/> 1264	Travel trailer receptacle to NEMA 5-15/5-20P plug adapter	30	125	Black

Compliances, specifications and availability are subject to change without notice.



Powering Business Worldwide

Project Name:	Prepared By:
Project Number:	Date:
Catalog Number:	Type:

Applications

Today's recreational vehicles and travel trailers require power devices that are more durable and reliable than ever, and our power devices are specifically designed to meet those challenges. Our full offering of flush mount receptacles, plugs and connectors deliver reliable connection points for RV charging and trailer hook-ups and are perfect for including on new equipment or for retrofit applications.

Table 1. Specifications

Catalog No.	AH1263	83	1264
Device Type	Flush Mount Receptacles	Angled Plug	Travel Trailer Plug Adapter
NEMA Config	NEMA TT-30	NEMA TT-30	NEMA TT-30R to 5-15P
Wiring Type	Back wire	Back wire	Back wire
Testing & Code Compliance	Listed to UL498, file no. E15058 Complies with Fed Spec WC-596G cUL Listed to CSA C22.2, no. 42-M1999	Listed to UL498 file no. E150012 CSA certified to C22.2, no. 42 NOM certified	UL Listed to UL498, file no. E15058 CSA certified to C22.2, no. 42 NOM certified
Environmental Specifications	Flammability: Meets UL94 requirements; V0 rated Temperature Rating: -20°C to 75°C (-4°F to 167°F)	Flammability: Meets UL94 requirements; V0 rated Temperature Rating: -20°C to 60°C (-4°F to 140°F)	Flammability: Meets UL94 requirements; V2 rated Temperature Rating: -40°C to 75°C (-40°F to 167°F)
Electrical Specifications	Dielectric Voltage: Twice the device rating + 1000V per UL498 Current Interrupting: Yes, at full-rated current Temperature Rise: Max. 30°C (86°F) after 50 cycles of overload at 150% of rated current (DC)	Dielectric Voltage: Twice the device rating + 1000V per UL498 Current Interrupting: Yes, at full-rated current Temperature Rise: Max. 30°C (86°F) after 50 cycles of overload at 150% of rated current (DC)	Dielectric Voltage: ≤300V: 2000V, 301-600V: 3000V per UL498 Current Interrupting: Yes, at full-rated current Temperature Rise: Max. 30°C (86°F) after 50 cycles of overload @ 150% of rated current (DC)
Mechanical Specifications	Terminal Accommodation: #10 - #4 AWG Voltage Ratings: Permanently marked on device	Terminal Accommodation: #10 - #8 AWG Voltage Ratings: Permanently marked on device	Voltage Ratings: Permanently marked on device

Table 2. Materials

Catalog No.	AH1263	83	1264
Device Type	Flush Mount Receptacles	Angled Plug	Travel Trailer Plug Adapter
Receptacle base	PVC	N/A	N/A
Receptacle face	PVC	N/A	N/A
Plug/outer shell	N/A	PVC	Nylon
Line contacts	0.040" thick brass	N/A	N/A
Blades	N/A	0.096" thick brass	0.065" thick brass
Terminal clamps	N/A	Steel, zinc plated	N/A
Terminal Lugs	0.050" thick steel	N/A	N/A
Terminal screws	1/4-28-UNF 2A Tridrive Screw	1/4-28 set screw, steel, zinc plated	N/A
Ground contact	0.040" thick brass	N/A	N/A
Ground screws	1/4-28-UNF 2A Tridrive Screw	1/4-28 set screw, steel, zinc plated	N/A
Assembly/mounting screws	#6 - 32 steel, zinc plated	#6 - 32 steel, nickel plated	N/A
Receptacle mounting plate	0.042" thick galvanized steel	N/A	N/A
Cord clamp	N/A	Steel, zinc plated	N/A

Project Name:	Prepared By:
Project Number:	Date:
Catalog Number:	Type:

Product Dimensions

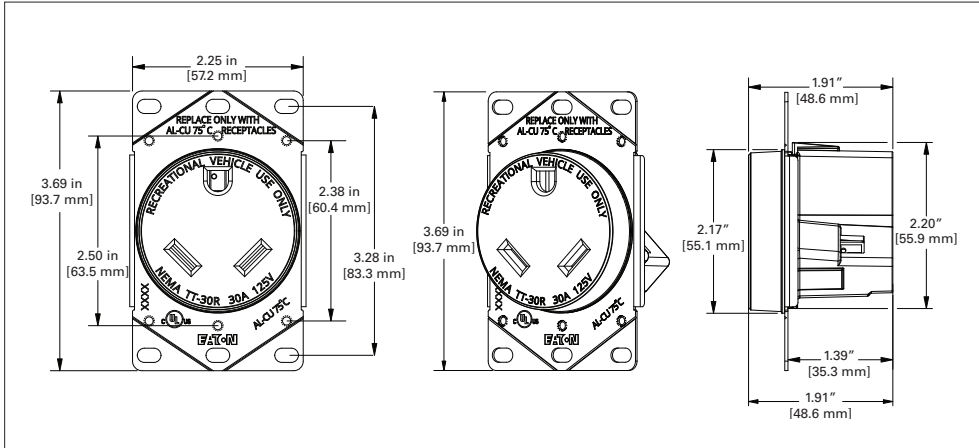


Figure 1. Flush Mount Receptacle

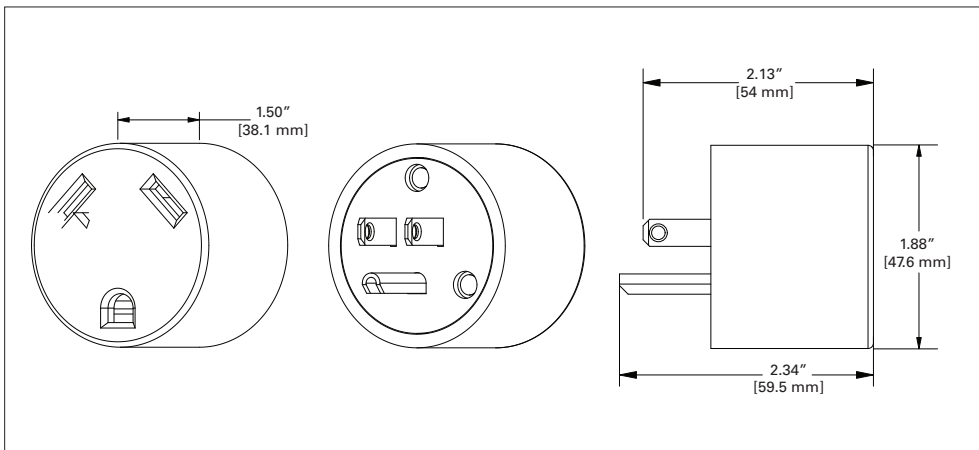


Figure 2. Adapter

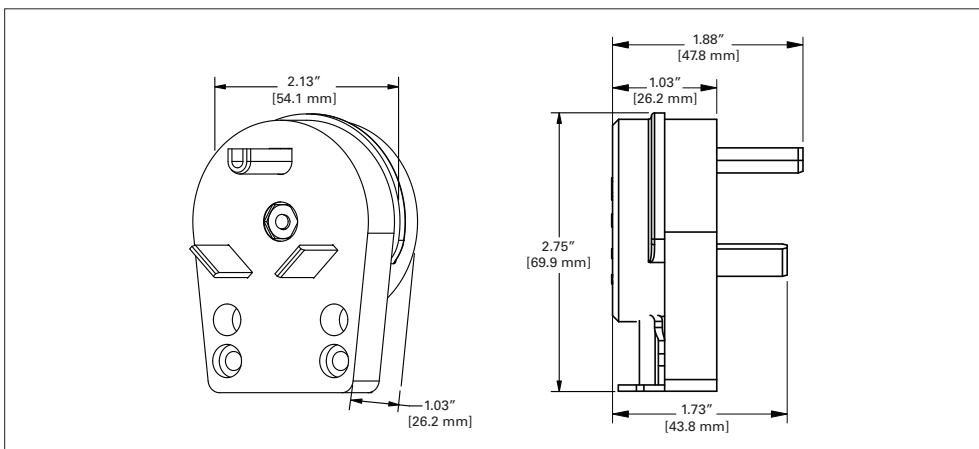






Figure 3. Angled Power Plug

Project Name:	Prepared By:
Project Number:	Date:
Catalog Number:	Type:

Certifications & Compliances

Catalog No.				
AH1263	•	•	•	•
S80		•	•	•
1264				

KEY:  cULus  UL  NOM  USMCA

Compliances, specifications and availability are subject to change without notice.

Electrical Sector
1123 Hwy 74 S
Peachtree City, GA 30269
United States
Eaton.com
Eaton.com/wiringdevices

Electrical Sector
Canada Operations
5925 McLaughlin Road
Mississauga, Ontario, L5R 1B8
Canada
EatonCanada.ca
Eaton.com/wiringdevices

Electrical Sector
Mexico Operations
Carr. Tlalnepantla -
Cuautitlán Km 178 s/n
Col. Villa Jardín esq.
Cerrada 8 de Mayo
Cuautitlán, Mexico CP 54800
México
Eaton.mx
Eaton.com/wiringdevices