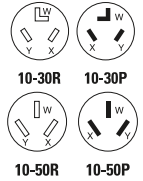


Dryer power devices

Project Name:	Prepared By:
Project Number:	Date:
Catalog Number:	Type:

Description

30A, 125/250V/AC, 3-Pole, 3-Wire Non-grounding
50A, 125/250V/AC, 3-Pole, 3-Wire Non-grounding
NEMA 10-30, 10-50



Design features for receptacles

- For replacement use in older homes with 3-wire connection points
- Heavy gauge galvanized steel mounting straps for corrosion resistance
- Terminal pressure plates for enhanced wire retention strength
- Surface receptacles have exclusive lay-in terminals that accept up to #4 AWG wire

Design features for plugs & connectors

- Universal plugs include blades for both 30A & 50A configurations
- Terminals have pressure plates to protect wires
- Auto grip plugs and connectors utilize an internal clamp design to secure cord during assembly
- Auto grip devices are built with a rugged high-strength thermoplastic
- Neoprene gasket seals around cord for added terminal protection on Auto grip devices
- Angled Auto grip plugs have 4 possible positions for maximum convenience

Design features for flanged inlet

- Nylon interior body and solid brass terminal blades offer superior performance
- Terminals accept #12 to #4 AWG connectors

Table 1. NEMA 10-30 Dryer Power Devices

Catalog No.	Description	Amps	Volts	Color
<input type="checkbox"/> AH38BK	Heavy-duty flush mount power receptacle	30	125/250	Black
<input type="checkbox"/> AH38W	Heavy-duty flush mount power receptacle	30	125/250	White
<input type="checkbox"/> 125	Surface mount power receptacle	30	125/250	Black
<input type="checkbox"/> S80	Universal NEMA power plug	30/50	125/250	Black
<input type="checkbox"/> 9337N	Industrial grade auto grip straight body power plug	30	125/250	Gray
<input type="checkbox"/> 9352AN	Industrial grade angled plug	30	125/250	Gray
<input type="checkbox"/> 9341N	Industrial grade auto grip power connector	30	125/250	Gray
<input type="checkbox"/> 9337NFI	Industrial grade flanged inlet	30	125/250	Gray

Table 2. NEMA 10-50 Range Power Devices

Catalog No.	Description	Amps	Volts	Color
<input type="checkbox"/> AH32BK	Heavy-duty flush mount power receptacle	50	125/250	Black
<input type="checkbox"/> AH32W	Heavy-duty flush mount power receptacle	50	125/250	White
<input type="checkbox"/> 112	Surface mount power receptacle	50	125/250	Black
<input type="checkbox"/> S80	Universal NEMA power plug	30/50	125/250	Black
<input type="checkbox"/> 4524N	Industrial grade auto grip straight body power plug	50	125/250	Gray
<input type="checkbox"/> 7952AN	Industrial grade angled plug	50	125/250	Gray
<input type="checkbox"/> 4526N	Industrial grade auto grip power connector	50	125/250	Gray
<input type="checkbox"/> 4524NFI	Industrial grade flanged inlet	50	125/250	Gray

Compliances, specifications and availability are subject to change without notice.



Powering Business Worldwide

Project Name:	Prepared By:
Project Number:	Date:
Catalog Number:	Type:

Applications

Today's homes feature sophisticated appliances requiring power devices that are more durable and reliable than ever, and our power devices are specifically designed to meet those challenges. Eaton's NEMA 10-30 and 10-50 power devices are built for a 3-wire non-grounding connection system which is commonly found in homes built prior to 1996 that haven't been rewired. Our full offering of flush mount receptacles, surface mount receptacles and plugs are perfect for retrofit and renovations to common dryer and range circuits.

Table 1. Specifications

Catalog No.	AH32, AH38	112, 125
Device Type	Flush Mount Receptacles	Surface Mount Receptacles
NEMA Config	NEMA 10-30 and 10-50	NEMA 10-30 and 10-50
Wiring Type	Back wire	Back wire
Testing & Code Compliance	Listed to UL498, file no. E15058 cUL Listed to CSA C22.2, no. 42-M1999	Listed to UL498, file no. E15058 CSA certified to C22.2, no. 42, file no. 6914 (6233-81) NOM certified
Environmental Specifications	Flammability: Meets UL94 requirements; V0 rated Temperature Rating: -20°C to 75°C (-4°F to 167°F)	Flammability: Meets UL94 requirements; V0 rated Temperature Rating: -20°C to 75°C (-4°F to 167°F)
Electrical Specifications	Dielectric Voltage: Twice the device rating + 1000V per UL498 Current Interrupting: Yes, at full-rated current Temperature Rise: Max. 30°C (86°F) after 50 cycles of overload at 150% of rated current (DC)	Dielectric Voltage: Twice the device rating + 1000V per UL498 Current Interrupting: Yes, at full-rated current Temperature Rise: Max. 30°C (86°F) after 50 cycles of overload at 150% of rated current (DC)
Mechanical Specifications	Terminal Accommodation: #10 - #4 AWG Voltage Ratings: Permanently marked on device	Terminal Accommodation: #10 - #4 AWG Voltage Ratings: Permanently marked on device

Table 2. Materials

Catalog No.	AH32, AH38	112, 125
Device Type	Flush Mount Receptacles	Surface Mount Receptacles
Receptacle base	PVC	Urea
Receptacle face	PVC	Polypropylene
Line contacts	0.040" thick 260 brass	0.040" thick 260 brass
Terminal clamps	N/A	0.093" thick steel
Terminal lugs	0.050" Steel	N/A
Terminal screws	1/4-28 UNF-2A Steel Lug Screw	1/4-20 set screw, copper plated
Ground contact	0.040" thick brass	0.032" thick brass
Ground screws	1/4-28 UNF-2A Steel Lug Screw	1/4-20 set screw, zinc plated, green
Assembly/mounting screws	#6 - 32 steel, zinc plated	#6 - 32 steel, zinc plated
Receptacle mounting plate	0.042" thick galvanized steel	0.045" thick galvanized steel

Project Name:	Prepared By:
Project Number:	Date:
Catalog Number:	Type:

Table 3. Specifications

Catalog No.	S80	4524N, 4526N, 7952AN, 9337N, 9341N, 9352AN	4524NFI, 9337NFI
Device Type	Angled Universal Plug	Auto Grip Industrial Plugs & Connectors	Flanged Inlets
NEMA Config	NEMA 10-30/10-50	NEMA 10-30 and 10-50	NEMA 10-30 and 10-50
Wiring Type	Back wire	Back wire	Back wire
Testing & code compliance	Listed to UL498 file no. E150012 NOM certified	cULus Listed to UL498, file no. E15058 CSA certified to C22.2, no. 42 Plugs only: Complies with Fed Spec WC-596G 9337N, 9352AN: NOM certified	cULus Listed to UL498, file no. E3663 UL verified to Fed Spec WC-596G cUL Listed to CSA C22.2, no. 42-M1999
Environmental Specifications	Flammability: Meets UL94 requirements; V0 rated Temperature Rating: -20°C to 60°C (-4°F to 140°F)	Flammability: Meets UL94 requirements; V2 rated Temperature Rating: -40°C to 75°C (-40°F to 167°F)	Flammability: Meets UL94 requirements; flanged housing: V0 rated, all other components: V2 rated Temperature Rating: -40°C to 75°C (-40°F to 167°F)
Electrical Specifications	Dielectric Voltage: Twice the device rating + 1000V per UL498 Current Interrupting: Yes, at full-rated current Temperature Rise: Max. 30°C (86°F) after 50 cycles of overload at 150% of rated current (DC)	Dielectric Voltage: ≤300V: 2000V, 301-600V: 3000V per UL498 Current Interrupting: Yes, at full-rated current Temperature Rise: Max. 30°C (86°F) after 50 cycles of overload @ 150% of rated current (DC)	Dielectric Voltage: Twice the device rating + 1000V per UL498 Current Interrupting: Yes, at full-rated current Temperature Rise: Max. 30°C (86°F) after 50 cycles of overload @ 150% of rated current (DC)
Mechanical Specifications	Terminal Accommodation: #10 - #8 AWG Voltage Ratings: Permanently marked on device	Terminal Accommodation: #12 - #4 AWG Voltage Ratings: Permanently marked on device	Terminal Accommodation: #12 - #4 AWG Voltage Ratings: Permanently marked on device

Table 4. Materials

Catalog No.	S80	4524N, 4526N, 7952AN, 9337N, 9341N, 9352AN	4524NFI, 9337NFI
Device Type	Angled Universal Plug	Auto Grip Industrial Plugs & Connectors	Flanged Inlets
Plug/connector outer shell or flanged housing	PVC	Nylon	ABS
Interior body	N/A	Nylon	Nylon
Terminal retainer	N/A	Straight Plugs and Connectors: Polypropylene, Angled Plugs: ABS	Nylon
Blades	0.096" thick brass	0.065" thick brass	0.100" thick brass
Line contacts	N/A	0.031" thick brass	0.100" thick brass
Terminal clamps	Steel, zinc plated	Galvanized steel	Brass
Terminal screws	1/4-28 set screw, steel, zinc plated	#8 - 32 brass, nickel plated	3/8-27 brass
Ground screw	1/4-28 set screw, steel, zinc plated	#8 - 32 brass, green	3/8-27 brass, zinc plated, green
Assembly/mounting screws	#6 - 32 steel, nickel plated	Steel	Assembly screws: #6 steel, zinc plated; Mounting Screws: #10-32 steel, zinc plated
Cord clamp	Steel, zinc plated	Polypropylene	N/A
Gasket/dust shield	N/A	Straight Plugs and Connectors: Neoprene, Angled Plugs: N/A	N/A

Project Name:	Prepared By:
Project Number:	Date:
Catalog Number:	Type:

Product Dimensions

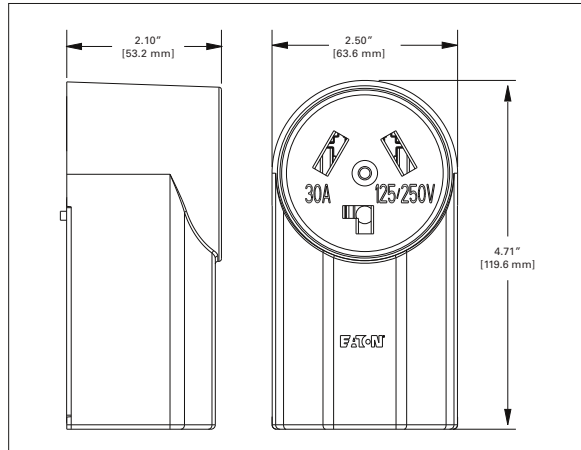


Figure 1. Surface Mount Receptacle

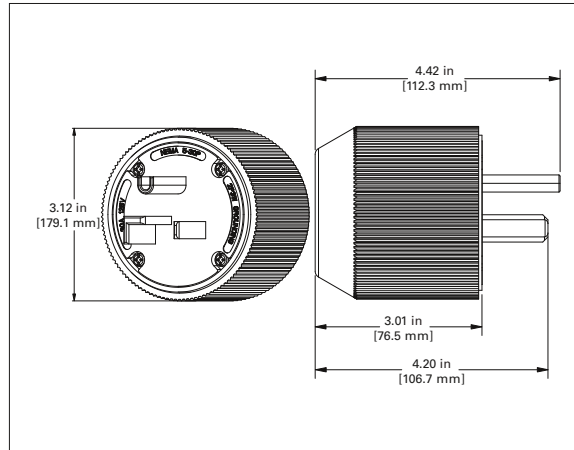


Figure 2. Auto Grip Industrial Plug

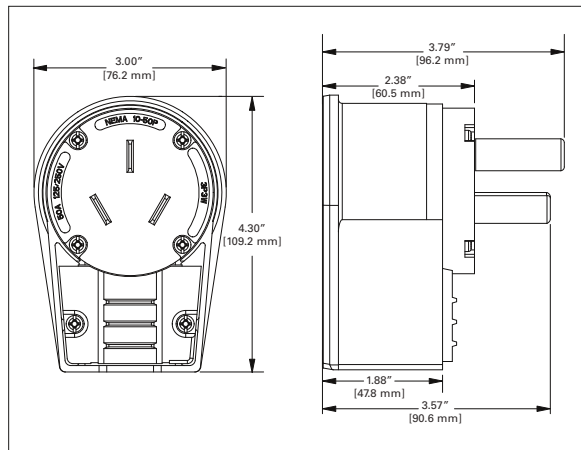


Figure 3. Auto Grip Industrial Angled Plug

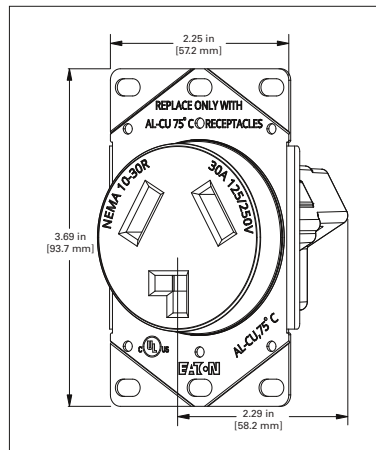


Figure 4. Flush Mount Receptacle

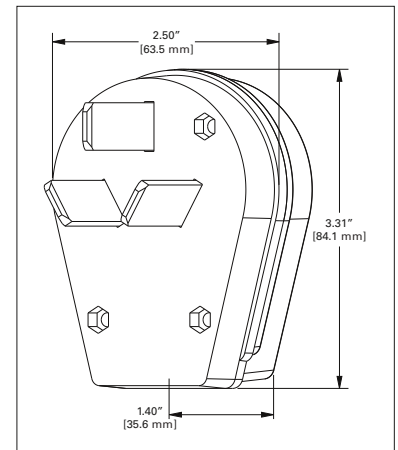


Figure 5. Universal Power Plug

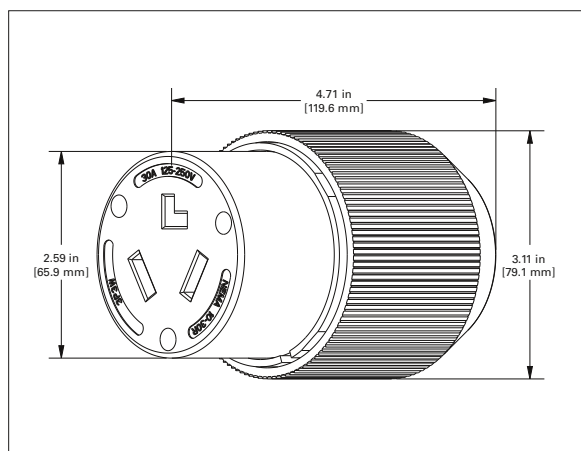


Figure 6. Auto Grip Industrial Connector

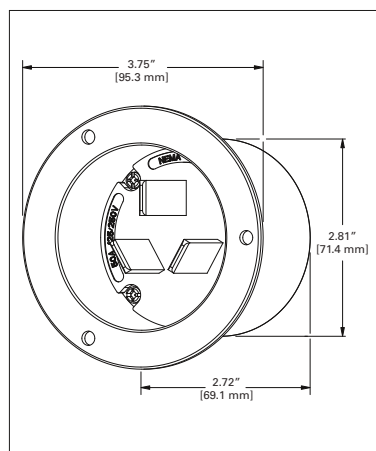


Figure 7. Flanged Inlet

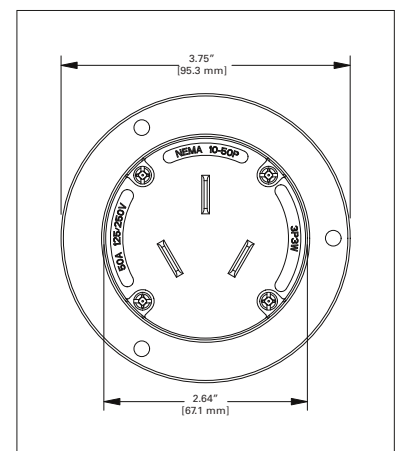







Figure 8. Top View

Project Name:	Prepared By:
Project Number:	Date:
Catalog Number:	Type:

Certifications & Compliances

Catalog No.					
AH38		•		•	
AH32		•		•	
125		•		•	•
112		•		•	•
9337N	•		•	•	•
4524N	•		•		•
S80		•		•	•
9352AN	•		•	•	•
7952AN	•		•		•
9341N	•				
4526N	•				•
9337NFI	•		•	•	
4524NFI	•		•		•

KEY:  cULus  UL  FULus  NOM  USMCA

Compliances, specifications and availability are subject to change without notice.

Electrical Sector
1123 Hwy 74 S
Peachtree City, GA 30269
United States
Eaton.com
Eaton.com/WifiSmart

Electrical Sector
Canada Operations
5925 McLaughlin Road
Mississauga, Ontario, L5R 1B8
Canada
EatonCanada.ca
Eaton.com/WifiSmart

Electrical Sector
Mexico Operations
Carr. Tlalnepantla -
Cauatitlán Km 17.8 s/n
Col. Villa Jardín esq.
Cerrada 8 de Mayo
Cauatitlán, Mexico CP 54800
México
Eaton.mx
Eaton.com/WifiSmart