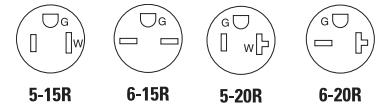


# Extra heavy-duty hospital grade straight blade receptacles

Project Name:	Prepared By:
Project Number:	Date:
Catalog Number:	Type:

## Description

2 Pole, 3-Wire Grounding  
 15A 125V/AC; 15A 250V/AC  
 20A 125V/AC; 20A 250V/AC  
 NEMA 5-15, 5-20, 6-15, 6-20



AH8200



8262RD



8410



AH8400



8210

## Design features

- Exclusive screw terminal guards provide fast, easy insulation from conductive surfaces (duplex only)
- Exclusive 5-leaf brass line contacts provide consistent performance and superior plug resistance (duplex only)
- Rigid, glass reinforced nylon base lends ultimate strength and superior high heat resistance in contact carrier (duplex only)
- 0.05" (1.27mm) solid brass mounting strap with non-riveted, integral one-piece grounding system for highest durability – assures superior ground integrity and corrosion resistance under heaviest use (duplex only)
- High impact and chemical-resistant nylon face
- Tapered back wiring lead-in slots assist in gathering stranded wires for faster, more secure connections
- All terminal and mounting screws are plated, triple combination (Slot/Phillips/Robertson) head for superior corrosion resistance and maximum flexibility
- Long, broad mounting strap helps reach large panel cutouts for code compliance
- Automatic grounding system eliminates need for bonding jumper in grounded metal enclosure, provides redundant measure of ground continuity where jumper used

**Table 1. Extra heavy-duty hospital grade receptacles, back & side wire**

Catalog No.	Description	Amps	Volts	Color Suffix
<input type="checkbox"/> AH8200__	NEMA 5-15R extra heavy-duty duplex receptacle, back & side wire	15	125	B, BK, GY, RD, V, W
<input type="checkbox"/> 8262__	NEMA 5-15R extra heavy-duty decorator duplex receptacle, back & side wire	15	125	GY, RD, V, W
<input type="checkbox"/> AH8200LT__	NEMA 5-15R extra heavy-duty illuminated duplex receptacle, back & side wire	15	125	V, W
<input type="checkbox"/> 8262LT__	NEMA 5-15R extra heavy-duty illuminated decorator duplex receptacle, back & side wire	15	125	GY, RD, V, W
<input type="checkbox"/> 8210__	NEMA 5-15R extra heavy-duty single receptacle, back & side wire	15	125	V, W
<input type="checkbox"/> AH8300__	NEMA 5-20R extra heavy-duty duplex receptacle, back & side wire	20	125	B, BK, GY, LA, RD, V, W
<input type="checkbox"/> 8362__	NEMA 5-20R extra heavy-duty decorator duplex receptacle, back & side wire	20	125	B, BK, GY, LA, RD, V, W

*continued on next page*



Powering Business Worldwide

Project Name:	Prepared By:
Project Number:	Date:
Catalog Number:	Type:

Catalog No.	Description	Amps	Volts	Color Suffix
□ AH8300LT__	NEMA 5-20R extra heavy-duty illuminated duplex receptacle, back & side wire	20	125	RD, V
□ 8310__	NEMA 5-20R extra heavy-duty single receptacle, back & side wire	20	125	B, RD, V, W
□ 8362LT__	NEMA 5-20R extra heavy-duty illuminated decorator duplex receptacle, back & side wire	20	125	B, RD, V, W
□ AH8600__	NEMA 6-15R extra heavy-duty duplex receptacle, back & side wire	15	250	V, W
□ 8610__	NEMA 6-15R extra heavy-duty single receptacle, back & side wire	15	250	V, W
□ AH8400__	NEMA 6-20R extra heavy-duty duplex receptacle, back & side wire	20	250	B, GY, RD, V, W
□ 8410__	NEMA 6-20R extra heavy-duty single receptacle, back & side wire	20	250	B, RD, V, W

## Applications

Arrow Hart's feature-rich line of hospital grade receptacles have been designed to meet and exceed the demanding requirements of UL498 and Federal Specification WVC-596G to provide a consistent means of connectivity where downtime can be crucial. Features include high-impact and chemical-resistant nylon faces to withstand abuse and maintain structural integrity plus durable contact designs for long life blade retention. The entire line of hospital grade receptacles fulfill the requirements for long-term reliability, low maintenance and assured performance.

**Table 2. Specifications**

Catalog No.	AH8200, AH8300, AH8400, AH8600, 8262, 8362 Series	8210, 8310, 8410, 8610 Series
<b>Device Type</b>	Extra heavy-duty hospital grade duplex receptacles	Extra heavy-duty hospital grade receptacles
<b>Wiring Type</b>	Back & side wire	Back & side wire
<b>Testing &amp; Code Compliance</b>	<ul style="list-style-type: none"> <li>cULus Listed to UL 498, file no. E15058</li> <li>UL verified to Federal Spec. WVC-596G</li> <li>cULus certified to CSA spec C22.2, no. 42</li> <li>NOM certified</li> </ul>	<ul style="list-style-type: none"> <li>Listed to UL 498, file no. E15058</li> <li>UL verified to Federal Spec. WVC-596G</li> <li>CSA certified to C22.2, no. 42, file no. 6914 (6233-01)</li> <li>NOM certified</li> </ul>
<b>Environmental Specifications</b>	<b>Flammability:</b> Meets UL 94 requirements; V2 rated <b>Temperature Rating:</b> -20°C to 70°C (-4°F to 158°F)	<b>Flammability:</b> Meets UL 94 requirements; V2 rated <b>Temperature Rating:</b> -20°C to 90°C (-4°F to 194°F)
<b>Electrical Specifications</b>	<b>Dielectric Voltage:</b> Withstands 2000V per UL 498 <b>Current Interrupting:</b> Yes, at full-rated current <b>Temperature Rise:</b> Max. 30°C (86°F) after 250 cycles of overload @ 200% of rated current (DC)	<b>Dielectric Voltage:</b> Withstands 2000V per UL 498 <b>Current Interrupting:</b> Yes, at full-rated current <b>Temperature Rise:</b> Max. 30°C (86°F) after 250 cycles of overload @ 200% of rated current (DC)
<b>Mechanical Specifications</b>	<b>Terminal Accommodation:</b> #14 - 10 AWG <b>Voltage Ratings:</b> Permanently marked on device	<b>Terminal Accommodation:</b> #14 - 10 AWG <b>Voltage Ratings:</b> Permanently marked on device

**Table 3. Materials**

Catalog No.	AH8200, AH8300, AH8400, AH8600, 8262, 8362 Series	8210, 8310, 8410, 8610 Series
<b>Face</b>	Nylon	Nylon
<b>Base</b>	Glass-filled nylon	Nylon
<b>Strap</b>	0.05" thick solid brass, nickel plated	0.05" thick steel, zinc plated
<b>Auto Ground</b>	Brass (nickel plated for AH8200/AH8300) clip	Phosphor bronze staple
<b>Line Contacts</b>	0.031" thick 5-leaf 688 grade high-performance brass	0.037" thick 3-leaf brass
<b>Ground Contact</b>	Integral	Riveted
<b>Terminal Screws</b>	#8-32 brass, neutral screw nickel plated	#8-32 steel, neutral screw nickel plated
<b>Ground Screw</b>	#8-32 steel, zinc plated (green)	#8-32 steel (green)
<b>Screw Terminal Guards</b>	PVC hinged doors	N/A

**Table 4. Color Ordering Information**

For ordering devices, include Cat. No. followed by the color code: B (Brown), BK (Black), GY (Gray) LA (Light Almond), RD (Red), V (Ivory), W (White)



Project Name:	Prepared By:
Project Number:	Date:
Catalog Number:	Type:

### Product Dimensions

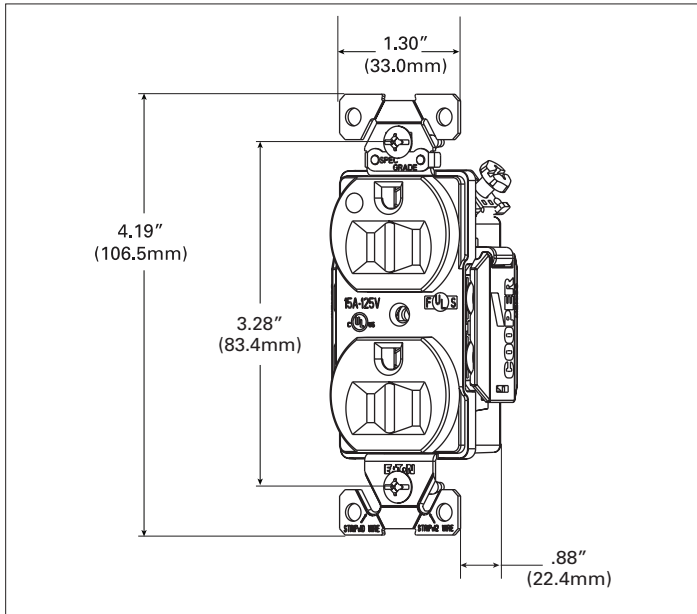


Figure 1. AH8200 Line Art with Dimensions

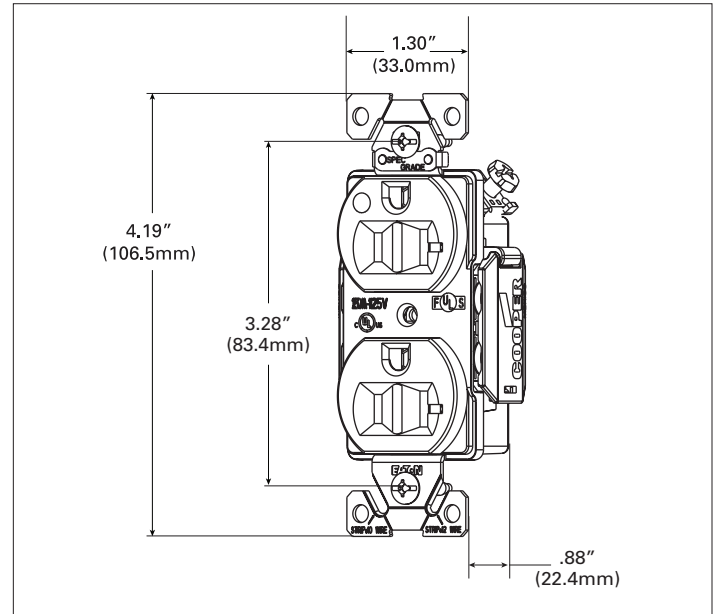


Figure 2. AH8300 Line Art with Dimensions

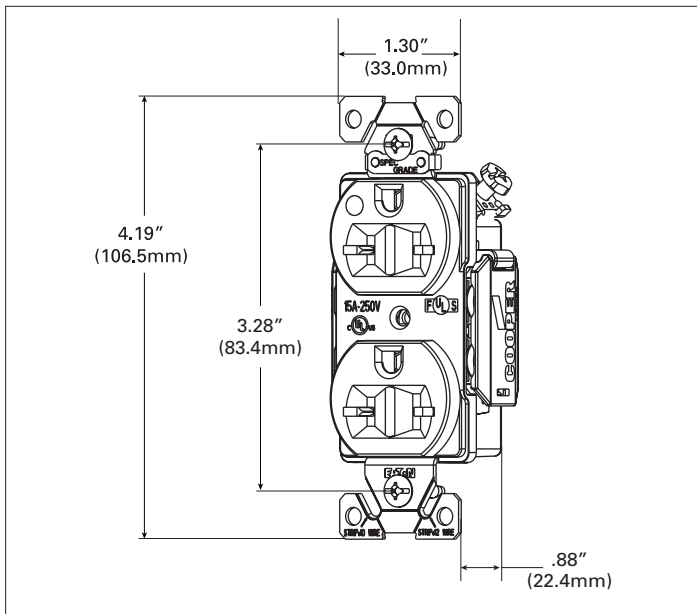


Figure 3. AH8600 Line Art with Dimensions

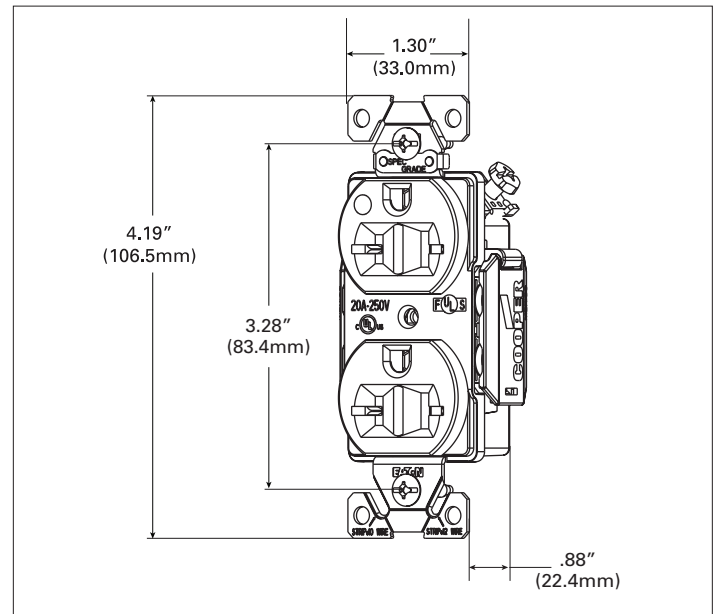
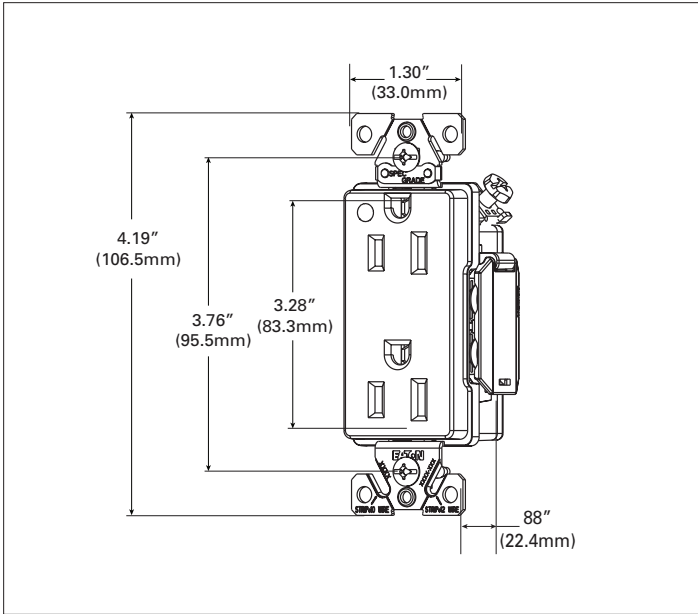


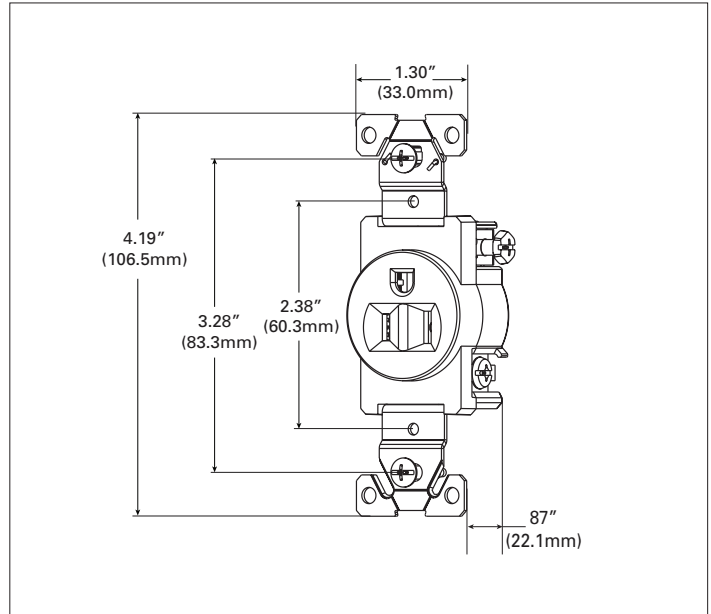
Figure 4. AH8400 Line Art with Dimensions

Project Name:	Prepared By:
Project Number:	Date:
Catalog Number:	Type:

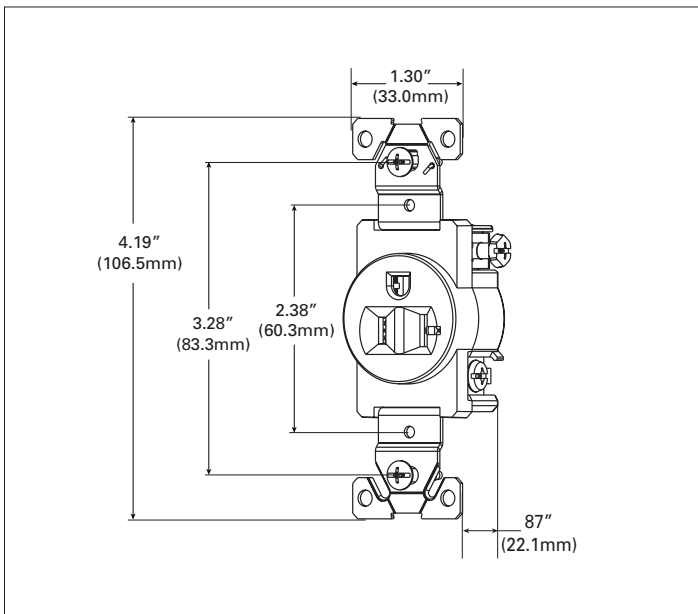
**Product Dimensions**



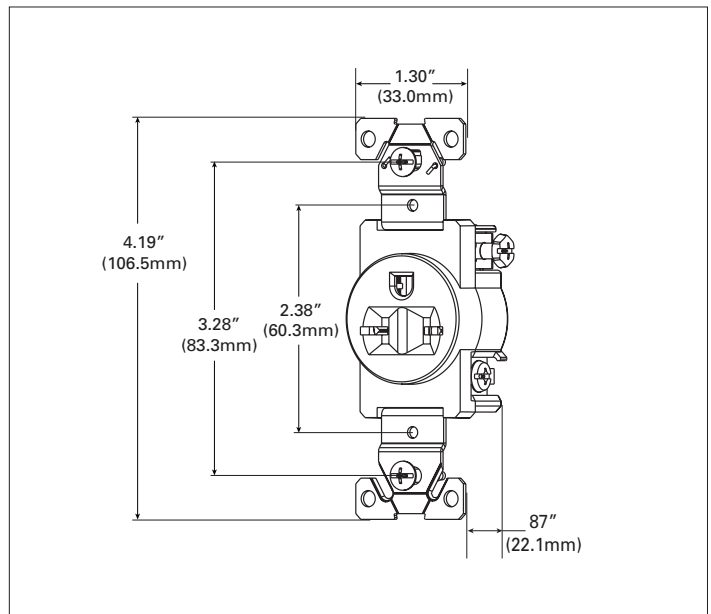
**Figure 5. 8262 Line Art with Dimensions.**



**Figure 6. 8310 Line Art with Dimensions**



**Figure 7. 8310 Line Art with Dimensions**



**Figure 8. 8610 Line Art with Dimensions**

Project Name:	Prepared By:
Project Number:	Date:
Catalog Number:	Type:

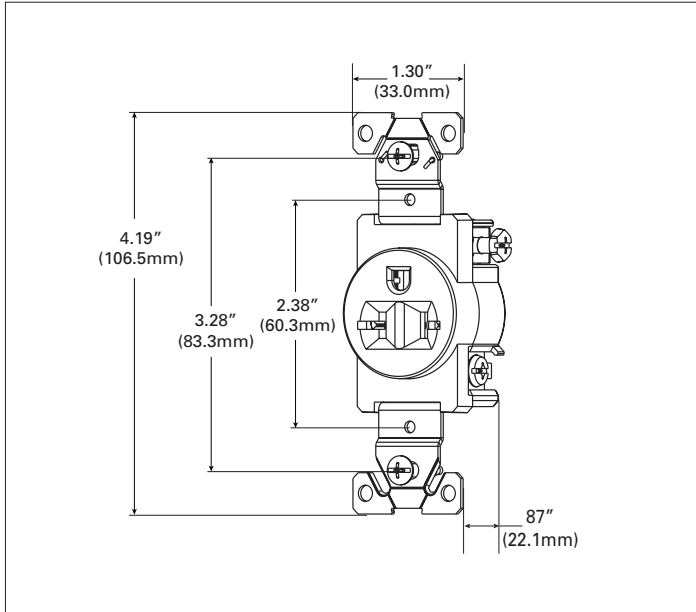


Figure 9. 8410 Line Art with Dimensions

## Certifications & Compliances

Catalog No.	cULus	UL	FCS	USA	CSA	NOM 426	Arrowlink	ROHS
AH8200	•	•	•	•	•	•	•	•
8262	•	•	•	•	•	•	•	•
AH8200LT	•	•	•	•	•	•	•	•
8262LT	•	•	•	•	•	•	•	•
8210	•	•	•	•	•	•	•	•
AH8300	•	•	•	•	•	•	•	•
8362	•	•	•	•	•	•	•	•
AH8300LT	•	•	•	•	•	•	•	•
8362LT	•	•	•	•	•	•	•	•
8310	•	•	•	•	•	•	•	•
AH8600	•	•	•	•	•	•	•	•
8610	•	•	•	•	•	•	•	•
AH8400	•	•	•	•	•	•	•	•
8410	•	•	•	•	•	•	•	•

**KEY:** cULus cULus UL UL FCS Fed Spec USA USMCA  
CSA CSA NOM 426 NOM 426 Arrowlink Arrowlink ROHS ROHS

Parts are manufactured and designed in accordance with article 4 of the European Union's RoHS2 directive 2011/65/EU

**Compliances, specifications and availability are subject to change without notice.**

Electrical Sector  
203 Cooper Circle  
Peachtree City, GA 30269  
United States  
Eaton.com  
Eaton.com/arrowhart

Electrical Sector  
Canada Operations  
5925 McLaughlin Road  
Mississauga, Ontario, L5R 1B8  
Canada  
EatonCanada.ca  
Eaton.com/arrowhart

Electrical Sector  
Mexico Operations  
Carr. Tlalnepantla -  
Cuautitlan Km 178 s/n  
Col. Villa Jardin esq.  
Cerrada 8 de Mayo  
Cuautitlan, Mexico CP 54800  
Mexico  
Eaton.mx  
Eaton.com/arrowhart