

## Aluminum Two Hole Compression Lug - AL-N Series

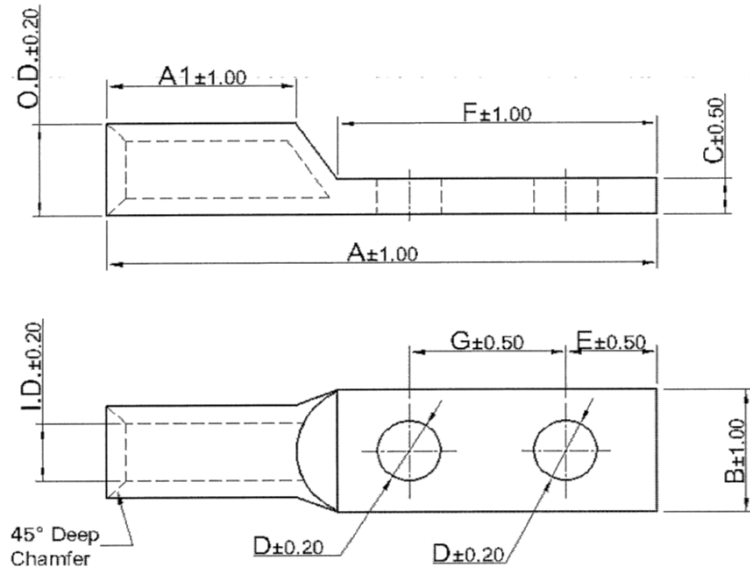
Produced from high conductivity aluminum tubing, Electro-tin plated for corrosion resistance. Color coded and marked with die index information, Pre-filled with oxide inhibitor and capped with color coded cap. Dual Rated for use with Aluminum and Copper

Drawn - SD

Approved - KM

Material - Aluminum

Title - Aluminum Two Hole Compression Lug - AL-N Series



Part Number	Wire Range	Expanded Wire Range	Stud Size	Hole Spacing	Color Code	I.D Inches	O.D. Inches	A Inches	A1 Inches	B Inches	C Inches	D Inches	E Inches	F Inches	G Inches
AL1/0N	1/0 AWG	1/0-6 AWG	1/2"	1 3/4"	TAN	0.3902	0.6299	4.7480	1.2008	0.8465	0.2402	0.5079	0.6299	3.1181	1.7480
AL2/0N	2/0 AWG	2/0-4 AWG	1/2"	1 3/4"	OLIVE	0.4402	0.6902	4.7992	1.2992	0.9370	0.2402	0.5079	0.6299	3.1181	1.7480
AL3/0N	3/0 AWG	3/0-2 AWG	1/2"	1 3/4"	RUBY	0.4799	0.7598	5.0000	1.4016	1.0276	0.2795	0.5079	0.6299	3.1181	1.7480
AL4/0N	4/0 AWG	4/0-1 AWG	1/2"	1 3/4"	WHITE	0.5500	0.8402	5.2480	1.4016	1.1496	0.2874	0.5079	0.6299	3.1181	1.7480
AL250N	250 MCM	250 MCM-1/0 AWG	1/2"	1 3/4"	RED	0.5902	0.9201	5.3071	1.5000	1.2598	0.3189	0.5079	0.6299	3.1181	1.7480
AL300N	300 MCM	300 MCM-2/0 AWG	1/2"	1 3/4"	BLUE	0.6500	1.0098	5.5000	1.5984	1.3701	0.3465	0.5079	0.6299	3.1181	1.7480
AL350N	350 MCM	350 MCM-3/0 AWG	1/2"	1 3/4"	BROWN	0.7201	1.1201	5.8701	1.9016	1.5197	0.3898	0.5079	0.6299	3.1181	1.7480
AL400N	400 MCM	400 MCM-4/0 AWG	1/2"	1 3/4"	GREEN	0.7598	1.1902	6.4291	2.2992	1.6063	0.4173	0.5079	0.6299	3.1181	1.7480
AL500N	500 MCM	500-250 MCM	1/2"	1 3/4"	PINK	0.8402	1.3201	6.5000	2.5000	1.7874	0.4685	0.5079	0.6299	3.1181	1.7480
AL600N	600 MCM	600-250 MCM	1/2"	1 3/4"	BLACK	0.9201	1.4402	6.7480	2.5984	1.9567	0.5079	0.5079	0.6299	3.1181	1.7480
AL750N	750 MCM	750-500 MCM	1/2"	1 3/4"	YELLOW	1.0299	1.6000	7.3701	3.2008	1.7800	0.5472	0.5079	0.6299	3.1181	1.7480