

Catalog #		Date		Prepared by	
Project		Type		Notes	

# HALO™

OUTDOOR SECURITY

## ALB AREA LIGHTS



ALB7A

ALB2A/ ALB4A

### ALB Area Lights with DUSK to DAWN Photocell

The ALB series area light luminaire with integral Dusk to Dawn photocell offers the latest in LED lighting technology. This fixture brightly illuminates a wide area while saving on energy costs. It easily mounts to a wall, post or onto a pole mounting arm (sold separately). The ALB is perfect for illuminating large areas like barns, yards, loading bays, warehouses, side roads and pathways.



#### Interactive Menu

- [Order Information](#) page 2
- [Product Warranty](#) page 3
- [Photometric Data](#) page 3

### Typical Applications

Retail, Outdoor Area/Site, Residential.

### Top Product Features

- Constructed of rugged Die cast aluminum housing
- Available in textured Grey finish
- Built-in photocell for Dusk to Dawn operation
- 50,000-hour rated life and 1-year warranty
- Rated for damp and wet locations
- Zero maintenance fixture and no lamp

### Product Certification

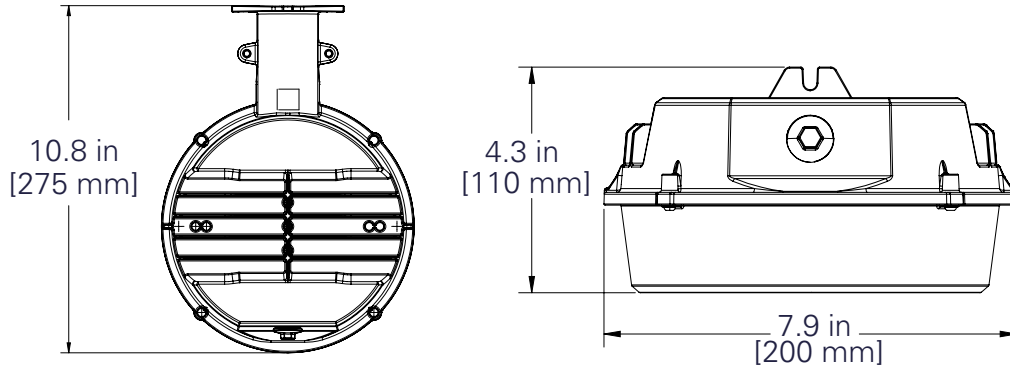


### Product Features

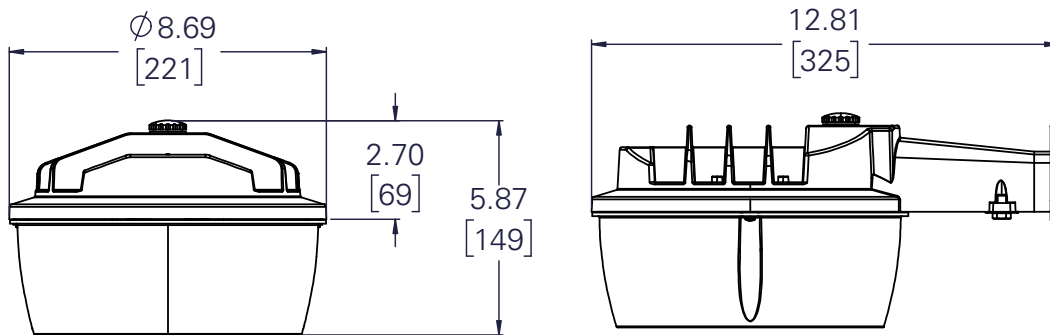


### Dimensional and Mounting Details

ALB2A40GY  
ALB4A40GY



ALB7A40GY

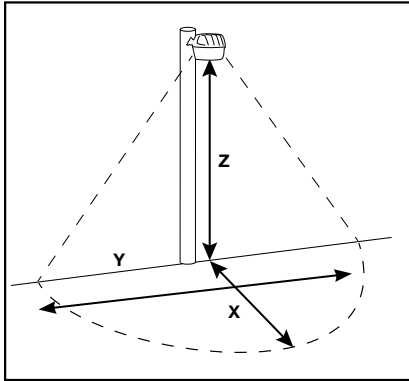


### Order Information

SAMPLE ORDER NUMBER: **ALB7A40GY**

Series	Lumens	CCT	Finish
ALB=Area Light Basic	2A = 2,000 4A = 4,000 7A = 7,000	40 = 4000K	GY = Grey

### Suggested Mounting Height



Minimum Footcandles (FC)		0.50 FC					
Mounting Height (Z)		10'		15'		20'	
Catalog Number	Lumens	X	Y	X	Y	X	Y
ALB2A40GY	2032	16	32	18	35	19	38
ALB4A40GY	4032	20	40	22.5	45	26	52
ALB7A40GY	7597	22	48	28	58	32	64
ALB7A40GY- With DL	7426	23	48	28	57	31	62

\*DL - Downlight Refractor (in the accessory box)

X = Forward Throw  
Y = Wall Spread  
Z = Mounting Heights

Notes:  
Forward throw X = 1/2 Y for wall-mount applications only  
See IES files for detailed photometry

### Product Specifications

#### Construction

- Durable die-cast aluminum housing suitable for wet locations
- Glare free UV stable acrylic lens
- Available in textured grey finish
- IP66 design to eliminate risk of Water or foreign object damage
- Suitable for wall or pole mount

#### Integrated Controls

- Build-in photo controller for dusk-to-dawn operation

#### Mounting

- Easily mounts to a wooden post, pole or wall using 2" lag screws.
- Can be mounted to a 1-1/4" pipe (1-5/8" Outer Diameter)- pipe not included.
- Recommended mounting height of up to 10 feet for ALB2A, 15 feet for ALB4A and 25 feet for ALB7A.

#### Electrical

- Maintenance-free LEDs with L70 50,000 hours of life
- Drop lens reduces glare.
- Fixture operating temperature range from -30°C to 40°C
- Electrical operating voltage 120V 60Hz
- cULus listed for wet locations

#### Compliance

- IESNA LM-79 and LM-80 standards compliant
- FCC part 15 class B (residential) compliant
- Can be used for State of California Title 24 high efficacy luminaire)

#### Finish

- Textured Grey Finish

#### Warranty

- **One year standard warranty.** consult website for details. [www.cooperlighting.com](http://www.cooperlighting.com)

### Photometric Data

CATALOG NUMBER	POWER	VOLTAGE	DELIVERED LUMENS	EFFICACY	CCT	CRI	PHOTOCONTROL
ALB2A40GY	19.5	120	2032	104	4000K	70	Intergrated
ALB4A40GY	40.7	120	4032	99	4000K	70	Intergrated
ALB7A40GY	52.2	120	7597	145	4000K	75	Intergrated
ALB7A40GY- With DL	52.2	120	7426	142	4000K	75	Intergrated