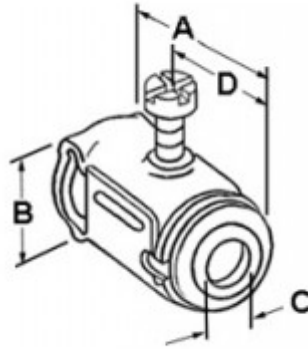


## Connector, E-Z LOCK®, Steel, .565 Inch Throat Opening

Recommended cable types used to connect steel interlocked, aluminum interlocked and aluminum corrugated metal clad cable, 1/2" FMC to box or enclosure. Insulator rated 105 degree C. Diameter for 10/4 (.62" 0 min) to 6/3 (.803" 0 max)

[Download Photo](#)[Download Drawing](#)

### Product details

<b>Catalog Number:</b>	AMC-5075
<b>UPC Number:</b>	78174720577
<b>Primary Materials:</b>	Steel
<b>Finish:</b>	Zinc Electro-Plate
<b>Trade Size:</b>	1/2"
<b>Unit Quantity:</b>	25
<b>Standard Package Quantity:</b>	250

### Dimensions

<b>Trade Size:</b>	1/2"
<b>Dimensions A:</b>	1-23/32
<b>Dimensions B:</b>	1-1/8
<b>Dimensions C:</b>	9/16
<b>Dimensions D:</b>	1

### Certifications & Codes

**Federal Specification Number:** A-A-50552**UL File Number:** E20534**UNSPSC:** 39121419**Nema Standard:** FB-1**UL Standard:** UL-514B