



ELLIOTT ELECTRIC SUPPLY

We Deliver...Lower Cost, Quality Products, & Personal Service

3804 South Street
75964-7263, TX Nacogdoches
Phone: 936-569-7941
Fax: 936-560-4685



AP232SQEG Post Base Electro Galvanized

Thomas&Betts-Abb Ins Prod

Catalog Number	AP232SQEG
Manufacturer	Thomas&Betts-Abb Ins Prod
Description	Square Post Base, Steel, Silver Galvanized, Silver, 6 M Length, 6 M Width, 3.5 In Height, 357 LB/100
Weight per unit	3.6 (lbs/each)
Product Category	Channel & Strut Fittings

Features

Number of Holes	4 in
-----------------	------

Descriptions

Description	POST BASE ELECTRO GALVANIZED
-------------	------------------------------

Manufacturer Information

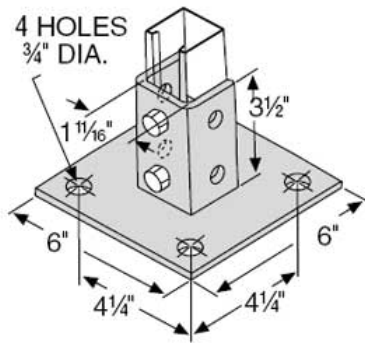
Brand	Superstrut
GTIN	00616013026540
UPC	616013026540

Taxonomies, Classifications, and Categories

Category Description	MISC FITTINGS
Type	Post Bases

Packaging

Carton	10
Weight Per each	3.57



Fittings, Brackets & Hardware

T&B Catalog Number:

AP 232SQ EG

UPC Number:

61601302654

Status:

Active

Description:

Steel Square Post Base Connector with SilverGalv finish.

Features

Excellent corrosion resistance

Application

For use in metal framing applications

General

Material	Steel
Finish	SilverGalv
Color	Silver

Packaging

Package in Units	10
T&B Sold in UOM	Each
T&B Weight Per UOM	357 lbs. per 100

Application Support

Metal Framing Channels-Series 1000	Available on Website
Finishes	Available on Website
Fittings & Brackets-Series 200	Available on Website
Product Brochure-Superstrut Post Base Connectors	Available on Website

Certifications

RoHS Compliance	Yes
-----------------	-----

For further technical assistance, please contact us...

Thomas & Betts - USA
8155 T&B Blvd.
Memphis, TN 38125
www.tnb.com

T&B Technical Support
MS 3B-50
8155 T&B Blvd.
Memphis, TN 38125

Hours: 7AM - 6PM CDT
Monday-Friday
Phone: (888) 862-3289
Fax: (901) 252-1321
Email:techsupport@tnb.com