

# COOPER LIGHTING - SURE-LITES®

## DESCRIPTION

The All Pro Series emergency light (AP2SQ) is the ideal choice when an affordable unit is required for general purpose applications. Its styling and designer finish enables it to blend with any decor. The housing and mounting plate employ snap-fit construction to further improve the installation time. Both lighting heads are fully adjustable, insuring that light can be put where it is needed.

Catalog #		Type
Project		
Comments		Date
Prepared by		

## SPECIFICATION FEATURES

### Electrical

- Dual Voltage Input 120/277 VAC, 60 Hz
- Line-latching
- Brownout circuit
- Low Voltage Disconnect
- Overload/Short Circuit Protection
- Test Switch/Power connector facilitates installation

### Housing Construction

- All components are injection-molded, color stable, high impact thermoplastic material
- Designer textured finish standard
- Components are of snap-fit construction to facilitate under 5-minute installation

- Reinforcing ribs throughout to provide maximum strength
- Suitable for wall or ceiling mount applications
- Universal J-box mounting pattern
- Keyhole mounting slots

### Battery

- Sealed Lead Calcium, recombination
- Maintenance-free, long-life
- Full recharge time: 24 hrs (max.)
- Polarized battery terminals

### Code Compliance

- UL 924 Listed
- ETL Damp Location
- Life Safety NFPA 101

- NEC/OSHA
- Most State and Local Codes

### Warranty

- Exit: 1 year
- Battery: 5 year, pro-rata

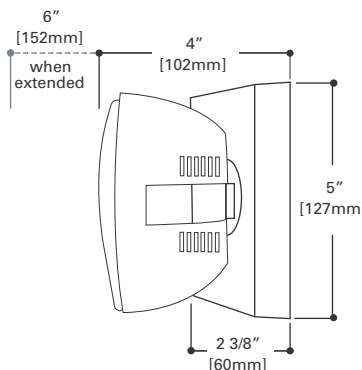
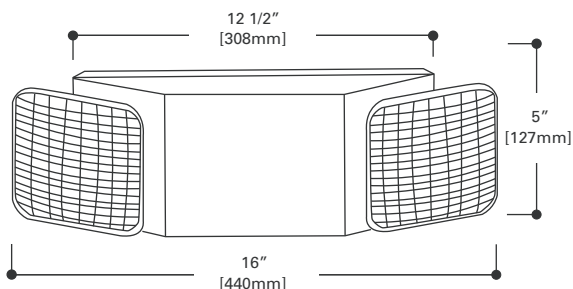
### Head/Lamp Data

- Two heads standard
- Square Head Type Design
- Glare-free Lens
- Fully adjustable lamp housing
- High impact thermoplastic
- Matches housing finish



## AP2SQ SERIES

SEALED LEAD CALCIUM BATTERY  
EMERGENCY LIGHTING



## ELECTRICAL RATINGS

Model	Rated Wattage to 87 1/2% of Rated D.C. Voltage			Lamp Information		
	DC Voltage	1 1/2 Hours	2 Hours	Type	Wattage	Number
AP2SQ	6	10.8	7.2	Incandescent	5.4	29-121

## ORDERING INFORMATION

--	--	--

**Family**  
AP2SQ

**Housing Finish**  
= White

**Accessories <sup>1</sup>**  
**Protective Housing**  
**WG1**- Wire Guard  
**VS1**- Polycarbonate Vandal Shield  
**VS1WP**- Polycarbonate Vandal Shield - Weather Resistant

Notes: 1 Order separately.

## ENERGY DATA

**Model AP2SQ**  
 Input Current (Max.):  
 120V = .04A  
 277V = .02A

**TECHNICAL DATA****Lamps**

Designed specifically for emergency lighting applications the square head type design ensures optimum glare free trapezoidal light distribution along with horizontal and vertical adjustment by rotating the lens within the housing.

**Housing Construction**

Rugged, durable, injection molded thermoplastic materials are used throughout the All Pro Series Emergency Lighting Units. All structural components are designed with reinforcing ribs to add additional rigidity and to maximize structural integrity. These materials are impact and scratch resistant, and they have been UV stabilized to resist discoloration due to age and ultraviolet radiation. All components are designed to be of snap-fit construction - no mechanical fasteners - to facilitate installation in under 5-minutes. The mounting plate has keyhole mounting slots and a universal mounting pattern for quick, efficient installation. Any components required for installation (wirenuts, wire leads, etc.) are all included with each unit. All AP2SQ Series Units are suitable for wall or ceiling mount applications.

**Line-Latched**

All Pro Emergency's line-latched electronic circuitry makes installation easy and

economical. A labor efficient AC-activated load switch prevents the lamps from turning on during installation to a non-energized AC circuit. Linelatching eliminates the need for a contractor's return to a job site to connect the batteries when the building's main power is permanently turned on.

**Solid-State Charger**

Supplied with a 120/277 VAC, voltage regulated solid-state charger. Immediately upon restoration of AC current after a power failure, the charger provides a high charge rate. The charge circuit reacts to the condition of the battery and alters the rate of charge in order to maintain peak battery capacity and maximize battery life. Solidstate construction recharges the battery following a power failure in accordance with UL 924.

**Brownout Circuit**

The brownout circuit in All Pro Emergency units monitor the flow of AC current to the unit and activates the emergency lighting system when a predetermined reduction of AC power occurs. This dip in voltage will cause most ballasted fixtures to extinguish causing loss of normal lighting even though a total power failure has not occurred.

**Low Voltage Disconnect**

When the battery's terminal voltage falls below 80% of the rated voltage, the low voltage circuitry disconnects the lighting load. The disconnect remains in effect until normal utility power is restored, preventing deep battery discharge.

**Test Switch/Power Indicator Light**

A test switch permits the activation of the emergency circuit for a complete operational system check. The Power Indicator Light provides assurance that the AC power is on.

**Sealed Lead Calcium Battery**

The fully sealed, long life, maintenance free lead calcium battery is ideal for emergency lighting applications. These recombinant cycle batteries typically provide 5 years of life and may be operated in any position.

**Warranty**

All Pro Emergency units are backed by a firm one year warranty against defect in material and workmanship (excluding lamps). Maintenance free, long life, sealed lead calcium batteries carry a five-year pro-rata warranty.

# COOPER LIGHTING - SURE-LITES®

## DESCRIPTION

The All Pro Series emergency light (AP2SQ) is the ideal choice when an affordable unit is required for general purpose applications. Its styling and designer finish enables it to blend with any decor. The housing and mounting plate employ snap-fit construction to further improve the installation time. Both lighting heads are fully adjustable, insuring that light can be put where it is needed.

Catalog #		Type
Project		
Comments		Date
Prepared by		

## SPECIFICATION FEATURES

### Electrical

- Dual Voltage Input 120/277 VAC, 60 Hz
- Line-latching
- Brownout circuit
- Low Voltage Disconnect
- Overload/Short Circuit Protection
- Test Switch/Power connector facilitates installation

### Housing Construction

- All components are injection-molded, color stable, high impact thermoplastic material
- Designer textured finish standard
- Components are of snap-fit construction to facilitate under 5-minute installation

- Reinforcing ribs throughout to provide maximum strength
- Suitable for wall or ceiling mount applications
- Universal J-box mounting pattern
- Keyhole mounting slots

### Battery

- Sealed Lead Calcium, recombination
- Maintenance-free, long-life
- Full recharge time: 24 hrs (max.)
- Polarized battery terminals

### Code Compliance

- UL 924 Listed
- ETL Damp Location
- Life Safety NFPA 101

- NEC/OSHA
- Most State and Local Codes

### Warranty

- Exit: 1 year
- Battery: 5 year, pro-rata

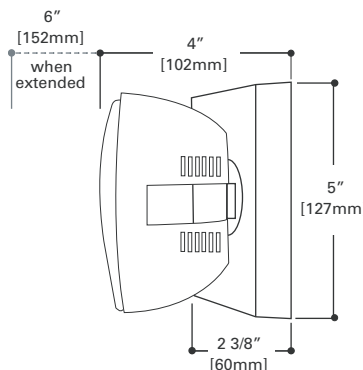
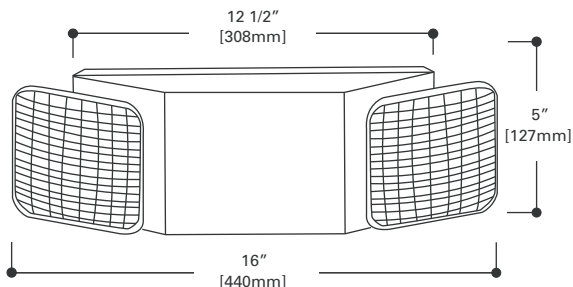
### Head/Lamp Data

- Two heads standard
- Square Head Type Design
- Glare-free Lens
- Fully adjustable lamp housing
- High impact thermoplastic
- Matches housing finish



## AP2SQ SERIES

SEALED LEAD CALCIUM BATTERY  
EMERGENCY LIGHTING



## ELECTRICAL RATINGS

Model	Rated Wattage to 87 1/2% of Rated D.C. Voltage			Lamp Information		
	DC Voltage	1 1/2 Hours	2 Hours	Type	Wattage	Number
AP2SQ	6	10.8	7.2	Incandescent	5.4	29-121

## ORDERING INFORMATION

Family AP2SQ	Housing Finish = White	Accessories <sup>1</sup> Protective Housing WG1- Wire Guard VS1- Polycarbonate Vandal Shield VS1WP- Polycarbonate Vandal Shield - Weather Resistant
-----------------	---------------------------	---

Notes: 1 Order separately.

## ENERGY DATA

Model AP2SQ  
Input Current (Max.):  
120V = .04A  
277V = .02A

**TECHNICAL DATA****Lamps**

Designed specifically for emergency lighting applications the square head type design ensures optimum glare free trapezoidal light distribution along with horizontal and vertical adjustment by rotating the lens within the housing.

**Housing Construction**

Rugged, durable, injection molded thermoplastic materials are used throughout the All Pro Series Emergency Lighting Units. All structural components are designed with reinforcing ribs to add additional rigidity and to maximize structural integrity. These materials are impact and scratch resistant, and they have been UV stabilized to resist discoloration due to age and ultraviolet radiation. All components are designed to be of snap-fit construction - no mechanical fasteners - to facilitate installation in under 5-minutes. The mounting plate has keyhole mounting slots and a universal mounting pattern for quick, efficient installation. Any components required for installation (wirenuts, wire leads, etc.) are all included with each unit. All AP2SQ Series Units are suitable for wall or ceiling mount applications.

**Line-Latched**

All Pro Emergency's line-latched electronic circuitry makes installation easy and

economical. A labor efficient AC-activated load switch prevents the lamps from turning on during installation to a non-energized AC circuit. Linelatching eliminates the need for a contractor's return to a job site to connect the batteries when the building's main power is permanently turned on.

**Solid-State Charger**

Supplied with a 120/277 VAC, voltage regulated solid-state charger. Immediately upon restoration of AC current after a power failure, the charger provides a high charge rate. The charge circuit reacts to the condition of the battery and alters the rate of charge in order to maintain peak battery capacity and maximize battery life. Solidstate construction recharges the battery following a power failure in accordance with UL 924.

**Brownout Circuit**

The brownout circuit in All Pro Emergency units monitor the flow of AC current to the unit and activates the emergency lighting system when a predetermined reduction of AC power occurs. This dip in voltage will cause most ballasted fixtures to extinguish causing loss of normal lighting even though a total power failure has not occurred.

**Low Voltage Disconnect**

When the battery's terminal voltage falls below 80% of the rated voltage, the low voltage circuitry disconnects the lighting load. The disconnect remains in effect until normal utility power is restored, preventing deep battery discharge.

**Test Switch/Power Indicator Light**

A test switch permits the activation of the emergency circuit for a complete operational system check. The Power Indicator Light provides assurance that the AC power is on.

**Sealed Lead Calcium Battery**

The fully sealed, long life, maintenance free lead calcium battery is ideal for emergency lighting applications. These recombinant cycle batteries typically provide 5 years of life and may be operated in any position.

**Warranty**

All Pro Emergency units are backed by a firm one year warranty against defect in material and workmanship (excluding lamps). Maintenance free, long life, sealed lead calcium batteries carry a five-year pro-rata warranty.