

Metalux AP Series

DESCRIPTION

Metalux AP series APHDVT is a contemporary looking industrial Vaportite fixture that features rugged and durable construction. The APHDVT incorporates a metal gear tray inside a reinforced fiberglass housing with a high impact diffuser. This Vaportite series is suitable for interior and exterior applications and can be surface or chain mounted.

The APHDVT has been designed for commercial institutional and industrial environments where weathering, high temperature, humidity and dust or corrosive fumes are present.

Catalog #		Type
Project		
Comments		Date
Prepared by		

SPECIFICATION FEATURES

Construction

Fiberglass housing with embossments (4' unit), provides mounting flexibility on uneven surfaces. Hub with 1/2" conduit entry provided at each end of housing (standard) for continuous feed. Cam latches create positive seal between housing, and diffuser.

Electrical*

Unit has metal gear tray secured by internal fasteners equipped with either NEMA premium T8 or High Output T5HO ballast. Rotor lock lampholders. Electrical components and fixture are UL/CUL listed for Wet Locations.** IP65 approved.

Mounting

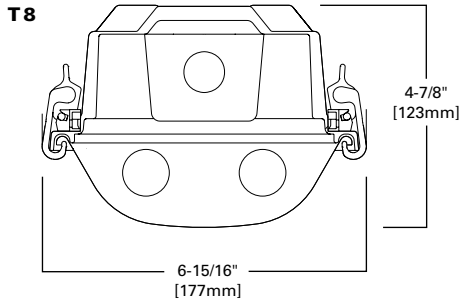
Surface mount fixture using two (2) galvanized brackets (included per 4' section).

Compliance

Options to meet Buy American and other domestic preference requirements.

Shielding

New contemporary styled clear lens w/ impact resistant additives and linear prisms.



APHDVT
232
254

4' INDUSTRIAL
2 LAMP

Vaportite Industrial



Catalog Number	Product Description	Wattage	UPC
APHDVT-232	48", 2 LAMP, HEAVY DUTY VAPORTITE	32W	080083623563
APHDVT-254	48", 2 LAMP, HEAVY DUTY VAPORTITE	54W	080083664764

SHIPPING INFORMATION

Catalog Number	WGT.	Pallet Qty.
APHDVT-232	11.77	35
APHDVT-254	11.77	35

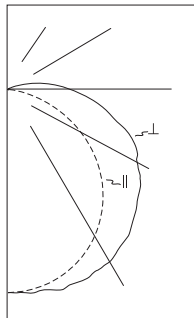
LAMPS CONTAIN MERCURY. DISPOSE ACCORDING TO LOCAL, STATE OR FEDERAL LAWS

LINEAR DISCONNECT

Safe and convenient means of disconnecting power.

*Reference the lamp/ballast data in the Technical Section for specific lamp/ballast requirements.
**Not Suitable for Wet Locations if EL4 Option is added. Consult Pre Sales Technical Support.

PHOTOMETRICS



APHDVT-232
 (1) Electronic Ballasts
 (2) T32WT8 lamps
 2850 lumens
 Spacing criterion:
 (||) 1.3 x mounting
 height, (⊥) 1.5 x
 mounting height
 Efficiency 77.4%
 Test Report:
 APHDVT-232.IES

Candela			
Angle	Along	45°	Across ⊥
0	1103	1103	1103
5	1097	1108	1107
10	1083	1107	1106
15	1059	1091	1127
20	1025	1089	1113
25	983	1058	1098
30	932	1035	1088
35	870	991	1052
40	801	952	1024
45	725	892	971
50	640	831	920
55	548	753	878
60	451	683	814
65	352	611	771
70	251	550	698
75	155	471	592
80	77	367	513
85	28	290	427
90	6	217	342

Coefficients of Utilization

rc	Effective floor cavity reflectance																						
	80%				70%				50%				30%				10%				0%		
rw	70	50	30	10	70	50	30	10	50	30	10	50	30	10	50	30	10	50	30	10	0		
RCR																							
0	91	91	91	91	89	89	89	89	84	84	84	79	79	79	75	75	75	73	73	73	73		
1	82	78	74	70	79	75	72	69	71	68	66	67	65	63	64	62	60	60	58	58	58		
2	74	67	61	56	71	65	60	55	61	57	53	58	54	51	55	52	49	49	47	47	47		
3	67	58	52	46	65	57	51	46	54	49	44	51	47	43	49	45	42	42	40	40	40		
4	61	51	44	39	59	50	43	38	48	42	37	45	40	36	43	39	35	33	33	33	33		
5	56	45	38	32	54	44	37	32	42	36	31	40	34	30	38	33	30	28	28	28	28		
6	51	40	33	28	49	39	32	27	37	31	27	36	30	26	34	29	26	24	24	24	24		
7	47	36	29	24	45	35	28	23	33	27	23	32	27	23	30	26	22	20	20	20	20		
8	43	32	25	20	42	31	25	20	30	24	20	29	23	19	27	23	19	17	17	17	17		
9	40	29	22	17	38	28	22	17	27	21	17	26	20	17	25	20	16	15	15	15	15		
10	37	26	20	15	36	26	19	15	24	19	15	23	18	15	22	18	14	13	13	13	13		

Zonal Lumen Summary

Zone	Lumens	%Lamp	%Fixture
0-30	899	15.8	20.4
0-40	1512	26.5	34.3
0-60	2847	49.9	64.5
0-90	4169	73.1	94.5
0-180	4413	77.4	100.0

Luminance Data

Angle in Deg	Average 0-Deg cd/sm	Average 45-Deg cd/sm	Average 90-Deg cd/sm
45	5519	7213	7212
55	5083	6756	7098
65	4347	6377	7074
75	3001	6097	6510
85	1349	5151	6092

MOUNTING DATA

