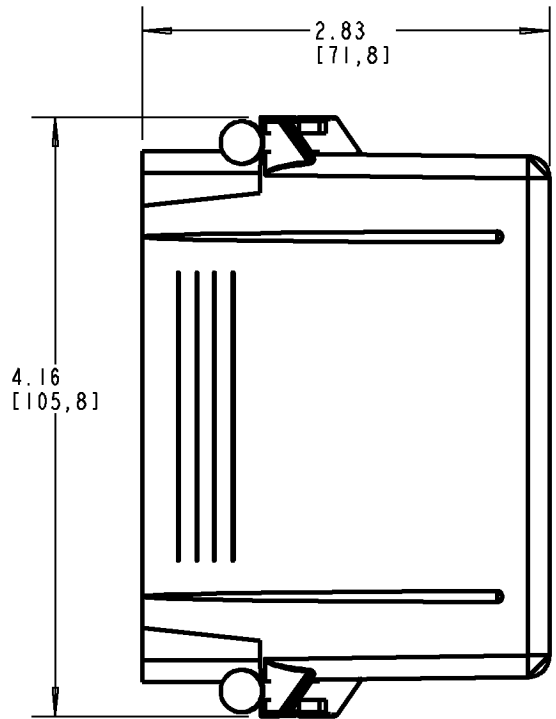
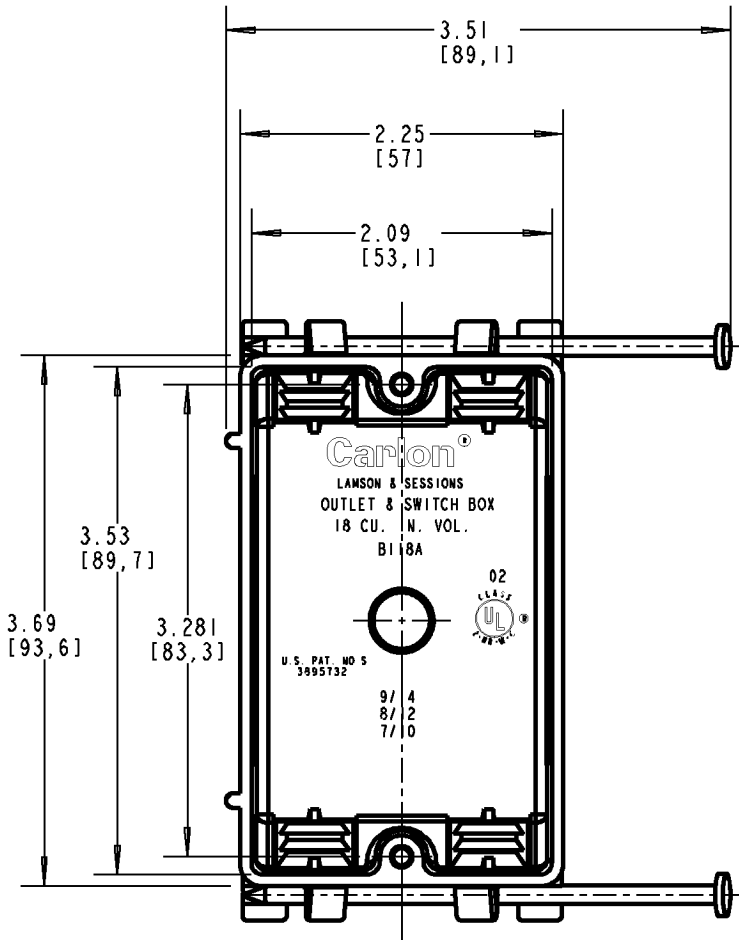
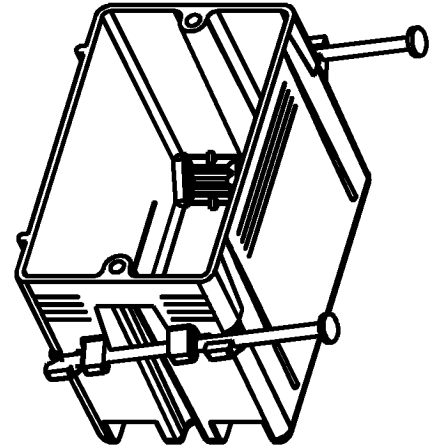



# Carlton®



NOTE:  
1. SUPPORT NAILS INCLUDED.

P/N  
B118A  
B118ARN  
B118AR-UPC  
B118ASW

<b>GENERAL NOTES</b>		 www.tnb.com			
1. ALL DIMENSIONS ARE FOR REFERENCE ONLY. 2. DIMENSIONS IN BRACKETS [ ] ARE IN METRIC UNITS.					
<b>REVISIONS</b>		DESCRIPTION: <b>ZIP BOX 18 CU. IN. VOL. NAIL-ON</b>			
** SEE ERN (****) FOR APPROVAL SIGNATURES & RELEASE DATE. PROJECT NO: ****		ORIGINAL PROJECT NO / ( ERN NO )	SHEET NO:	REV. NO:	DRAWING NO:
		/ ( )	1 OF 1	C	<b>WSD-AC02077</b>