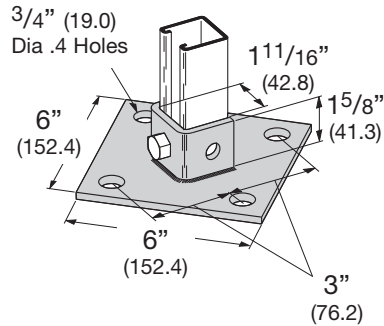


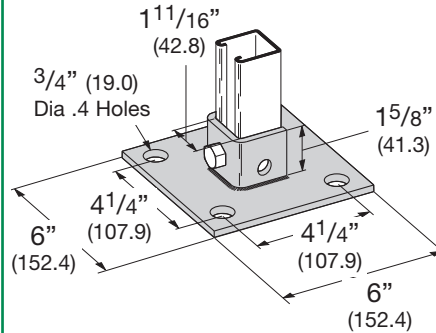
## B279 POST BASE FOR B22

- Standard finishes: ZN, GRN
- Wt./C 314 Lbs. (142.4 kg)



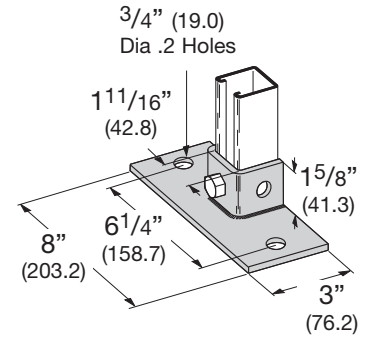
## B279SQ POST BASE FOR B22

- Standard finishes: ZN, GRN
- Wt./C 314 Lbs. (142.4 kg)



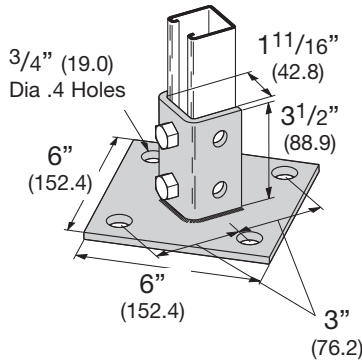
## B279FL POST BASE FOR B22

- Standard finishes: ZN, GRN
- Wt./C 230 Lbs. (104.3 kg)



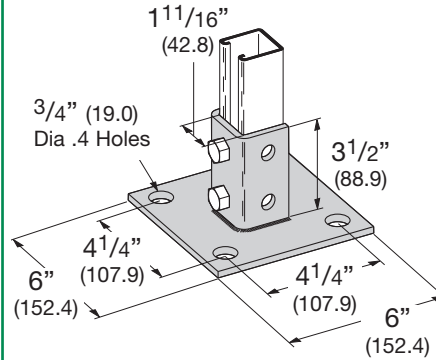
## B280 POST BASE FOR B22

- Standard finishes: ZN, GRN, HDG, SS4, AL
- Wt./C 392 Lbs. (177.8 kg)



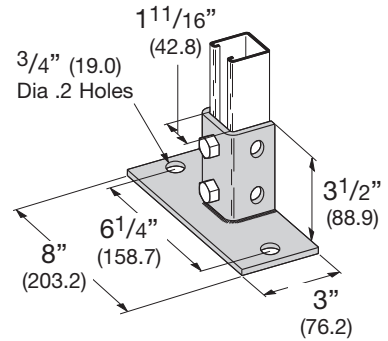
## B280SQ POST BASE FOR B22

- Standard finishes: ZN, GRN, HDG, SS4, AL
- Wt./C 392 Lbs. (177.8 kg)



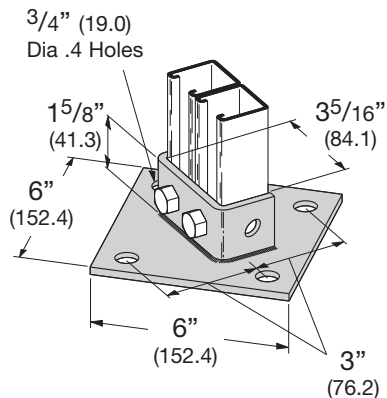
## B280FL POST BASE FOR B22

- Standard finishes: ZN, GRN, HDG, SS4
- Wt./C 312 Lbs. (141.5 kg)



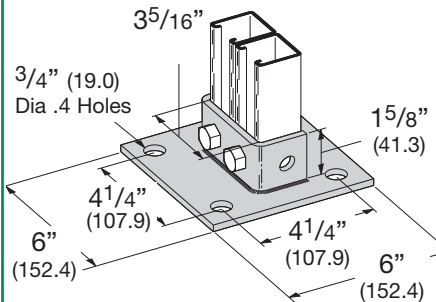
## B281A POST BASE FOR B22A, B, C, ETC.

- Standard finishes: ZN, GRN
- Wt./C 330 Lbs. (149.7 kg)



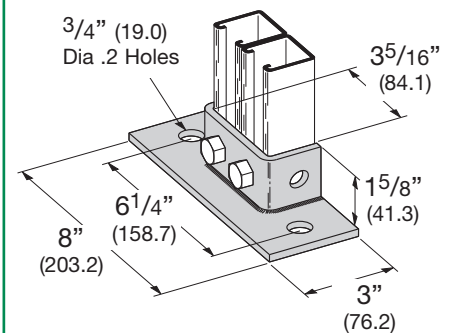
## B281ASQ POST BASE FOR B22A, B, C, ETC.

- Standard finishes: ZN, GRN
- Wt./C 330 Lbs. (149.7 kg)



## B281AFL POST BASE FOR B22A, B, C, ETC.

- Standard finishes: ZN, GRN
- Wt./C 250 Lbs. (113.4 kg)

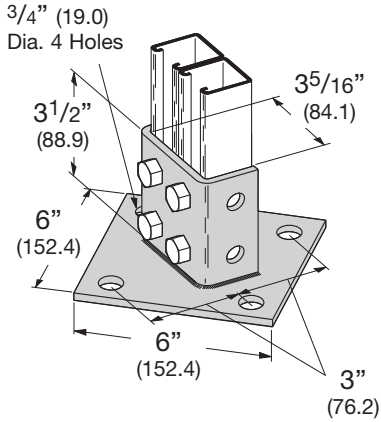


Reference page 72 for general fitting and standard finish specifications.

# Post Bases

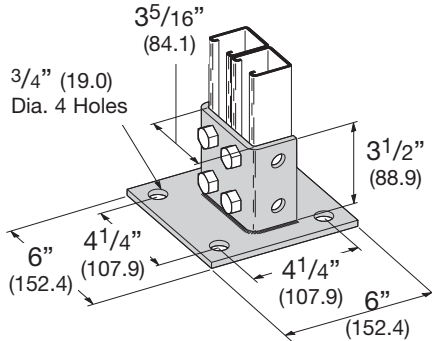
## B281 POST BASE FOR B22A, B, C, ETC.

- Standard finishes: ZN, GRN, HDG
- Wt./C 400 Lbs. (181.4 kg)



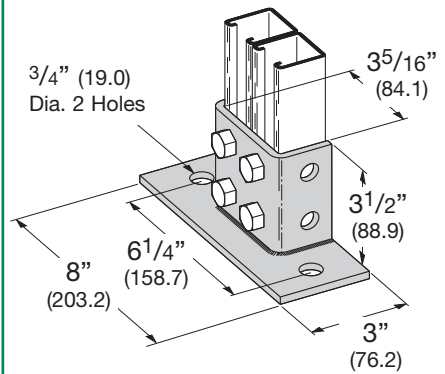
## B281SQ POST BASE FOR B22A, B, C, ETC.

- Standard finishes: ZN, GRN, HDG, SS4
- Wt./C 400 Lbs. (181.4 kg)



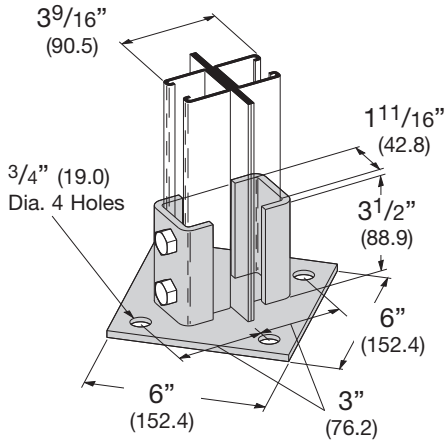
## B281FL POST BASE FOR B22A, B, C, ETC.

- Standard finishes: ZN, GRN
- Wt./C 320 Lbs. (145.1 kg)



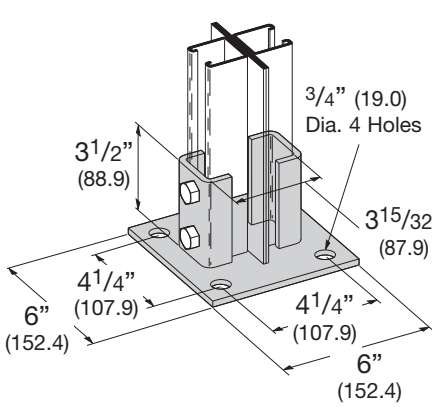
## B281M POST BASE FOR B22-2PL

- Standard finishes: ZN, GRN
- Wt./C 470 Lbs. (213.2 kg)



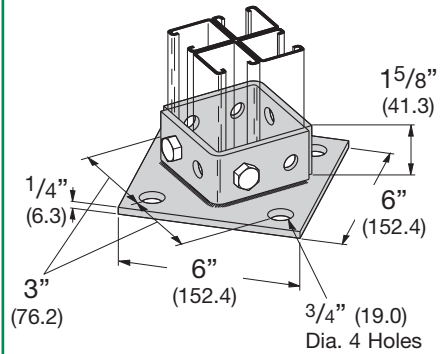
## B281MSQ POST BASE FOR B22-2PL

- Standard finishes: ZN, GRN
- Wt./C 470 Lbs. (213.2 kg)



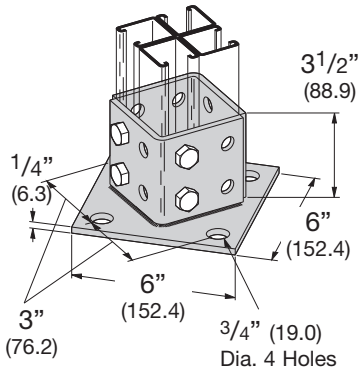
## B570 POST BASE FOR FOUR CHANNEL COMBINATIONS

- Standard finishes: ZN, GRN
- Wt./C 397 Lbs. (180.1 kg)



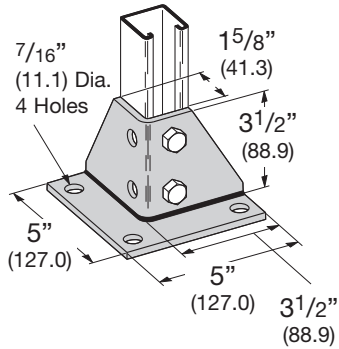
## B570A POST BASE FOR FOUR CHANNEL COMBINATIONS

- Standard finishes: ZN, GRN
- Wt./C 550 Lbs. (249.5 kg)



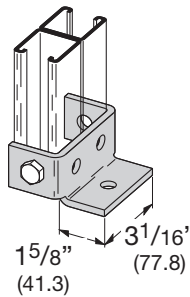
## B278 POST BASE FOR B22

- Standard finishes: ZN, GRN
- Wt./C 288 Lbs. (130.6 kg)



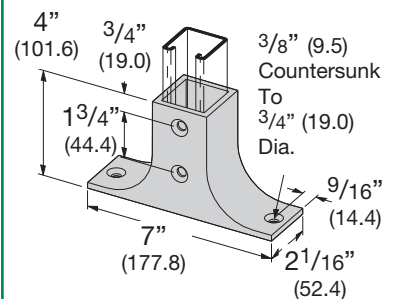
## B585 POST BASE FOR B22A

- Standard finishes: ZN, GRN
- Wt./C 97 Lbs. (44.0 kg)



## B300 POST BASE

- Material: Malleable Iron
- Standard finishes: ZN, GRN
- Wt./C 259 Lbs. (117.5 kg)



Strut Fittings

Reference page 72 for general fitting and standard finish specifications.