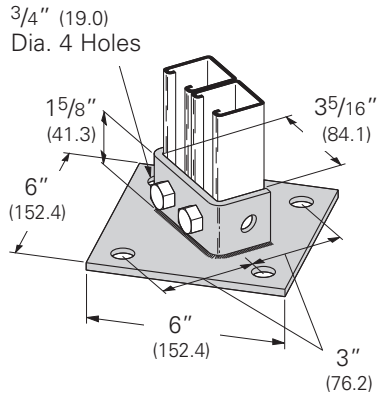


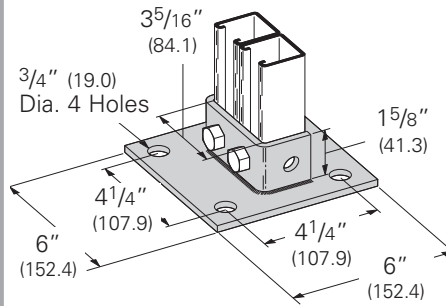
B281A Post Base for B22A, B, C, ETC.

- Standard finishes: ZN, GRN
- Wt./C 330 Lbs. (149.7 kg)



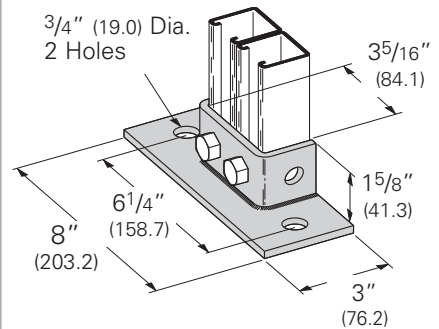
B281ASQ Post Base for B22A, B, C, Etc.

- Standard finishes: ZN, GRN
- Wt./C 330 Lbs. (149.7 kg)



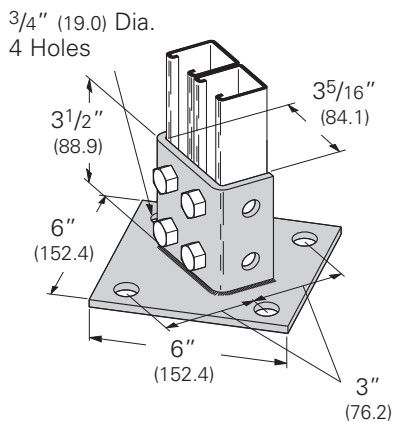
B281AFL Post Base for B22A, B, C, Etc.

- Standard finishes: ZN, GRN
- Wt./C 250 Lbs. (113.4 kg)



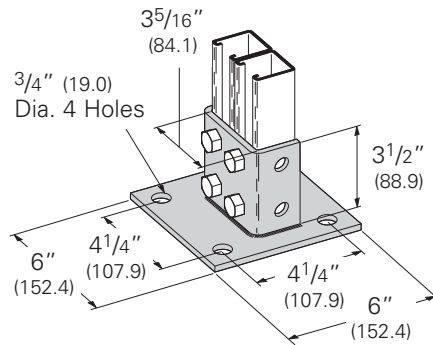
B281 Post Base for B22A, B, C, Etc.

- Standard finishes: ZN, GRN, HDG
- Wt./C 400 Lbs. (181.4 kg)



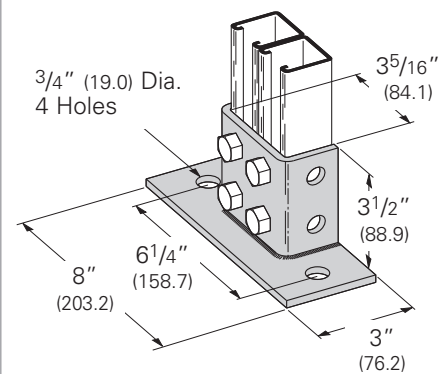
B281SQ Post Base for B22A, B, C, Etc.

- Standard finishes: ZN, GRN, HDG, SS4
- Wt./C 400 Lbs. (181.4 kg)



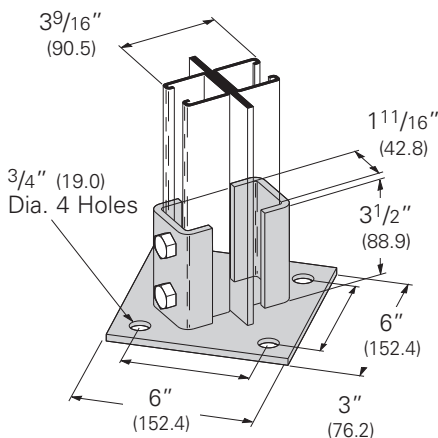
B281FL Post Base for B22A, B, C, Etc.

- Standard finishes: ZN, GRN
- Wt./C 320 Lbs. (145.1 kg)



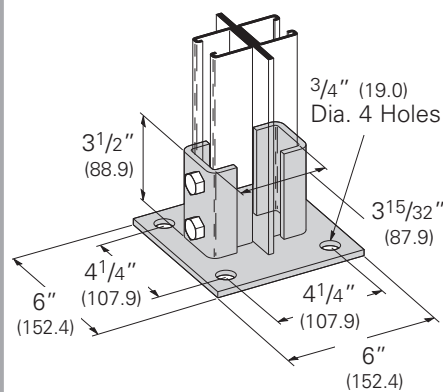
B281M Post Base for B22-2PL

- Standard finishes: ZN, GRN
- Wt./C 470 Lbs. (213.2 kg)



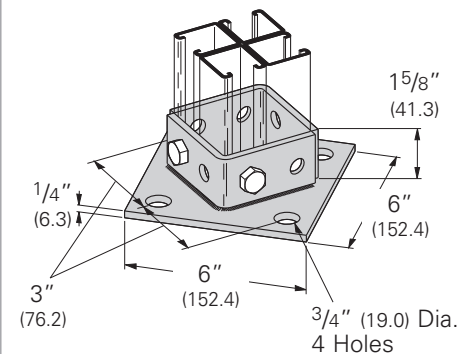
B281MSQ Post Base for B22-2PL

- Standard finishes: ZN, GRN
- Wt./C 470 Lbs. (213.2 kg)



B570 Post Base for Four Channel Combinations

- Standard finishes: ZN, GRN
- Wt./C 397 Lbs. (180.1 kg)

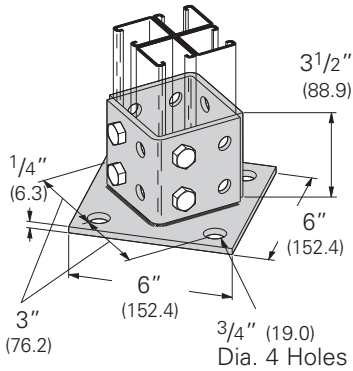


Reference page 73 for general fitting and standard finish specifications.

Post Bases & Brackets

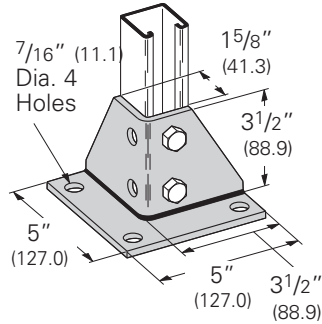
B570A Post Base for Four Channel Combinations

- Standard finishes: ZN, GRN
- Wt./C 550 Lbs. (249.5 kg)



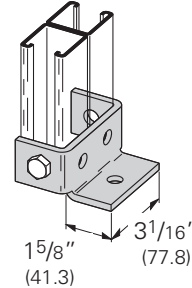
B278 Post Base for B22

- Standard finishes: ZN, GRN
- Wt./C 288 Lbs. (130.6 kg)



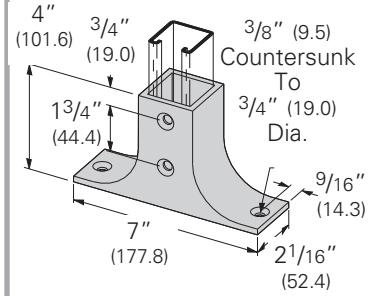
B585 Post Base for B22A

- Standard finishes: ZN, GRN
- Wt./C 97 Lbs. (44.0 kg)



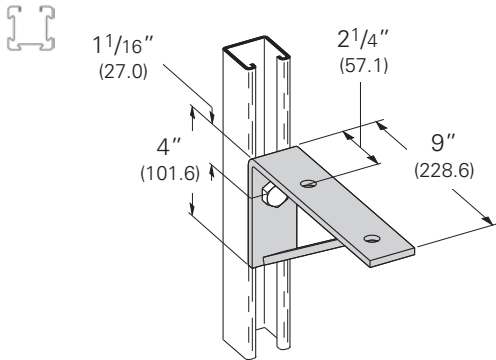
B300 Post Base

- Material: Malleable Iron
- Standard finishes: ZN, GRN
- Wt./C 259 Lbs. (117.5 kg)



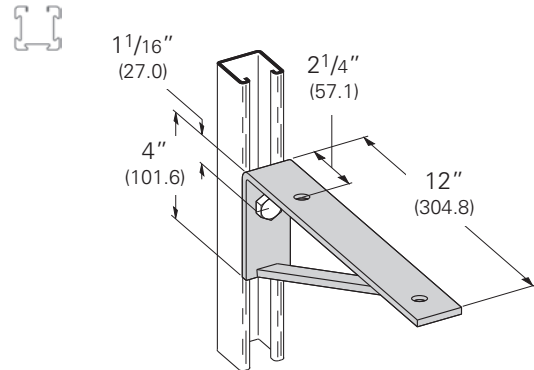
B187 Bracket

- Uniform Loading 1450 Lbs. (6.45 kN)
- Safety Factor of 2.5
- Hole Spacing on Bracket Top 5 5/16" (150.8) Center to Center
- Standard finishes: ZN, GRN
- Wt./C 193 Lbs. (87.5 kg)



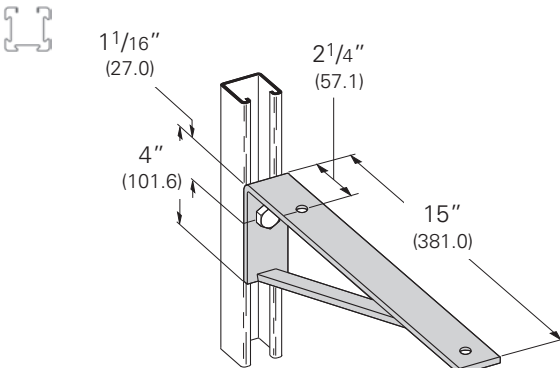
B188 Bracket

- Uniform Loading 1080 Lbs. (4.80 kN)
- Safety Factor of 2.5
- Hole Spacing on Bracket Top 8 15/16" (227.0) Center to Center
- Standard finishes: ZN, GRN
- Wt./C 241 Lbs. (109.3 kg)



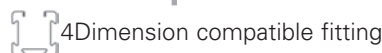
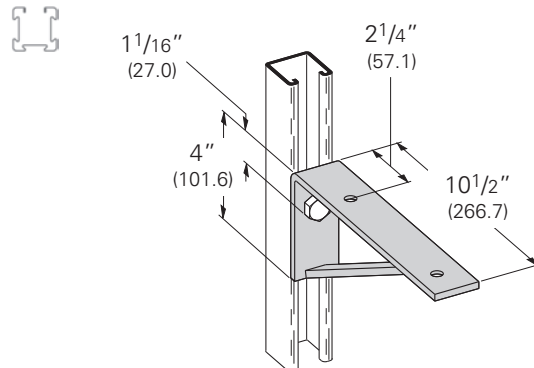
B189 Bracket

- Uniform Loading 870 Lbs. (3.87 kN)
- Safety Factor of 2.5
- Hole Spacing on Bracket Top 11 15/16" (303.2) Center to Center
- Standard finishes: ZN, GRN
- Wt./C 308 Lbs. (139.7 kg)



B541 Bracket

- Uniform Loading 1240 Lbs. (5.51 kN)
- Safety Factor of 2.5
- Hole Spacing on Bracket Top 7 7/16" (188.9) Center to Center
- Standard finishes: ZN, GRN
- Wt./C 201 Lbs. (91.2 kg)



4Dimension compatible fitting

Reference page 73 for general fitting and standard finish specifications.