



ELLIOTT ELECTRIC SUPPLY

We Deliver...Lower Cost, Quality Products, & Personal Service

3804 South Street
75964-7263, TX Nacogdoches
Phone: 936-569-7941
Fax: 936-560-4685



B54SH120GLV BLTD 13/16X1-5/8X120 GLV SHRT SLT CHNL

Cooper B-Line/Cable Tray

Catalog Number	B54SH120GLV
Manufacturer	Cooper B-Line/Cable Tray
Description	SH Type Channel, Low Carbon Steel, Pre Galvanized, 10 FT Length, 13/16 In Height, 14 Awg Thickness, 2 In Center Spacing, 9/16 X 1-1/8 In Slot Size, 0.91 LB/FT
Weight per unit	0.7810 (lbs/each)
Product Category	Channel & Strut

Features

gauge	52424
-------	-------

Material, Color, and Finish

material composition	Cold Formed Low Carbon Steel
material standard	ASTM A653

Dimensions and Weight

Depth	13/16 In
Length	ELBOW FITTING, 316 STAINLESS STEEL MATERIAL; 1/2 INCH SIZE A; 1/2 INCH SIZE B; .5 SIZE A - DECIMAL; .5 SIZE B - DECIMAL; 1/2 SIZE A - FRACTIONAL; 1/2 SIZE B - FRACTIONAL; NUCLEAR, PHARMACEUTICAL INDUSTRY CHEMICAL, PETROCHEMICAL APPLICATION; CAST PROCESS
Width	1.625 in

Descriptions

Description	BLTD 13/16X1-5/8X120 GLV SHRT SLT CHNL
Special Features	2 In Center Spacing

Manufacturer Information

Brand	BOLTED FRAMING
GTIN	00781011257309
sub brand	Bolted Framing
UPC	781011257309

Taxonomies, Classifications, and Categories

Category Description	STRUT CHANNEL
Type	Single, Slotted, Metal Framing

Availability

minimum qty	10
-------------	----

Packaging

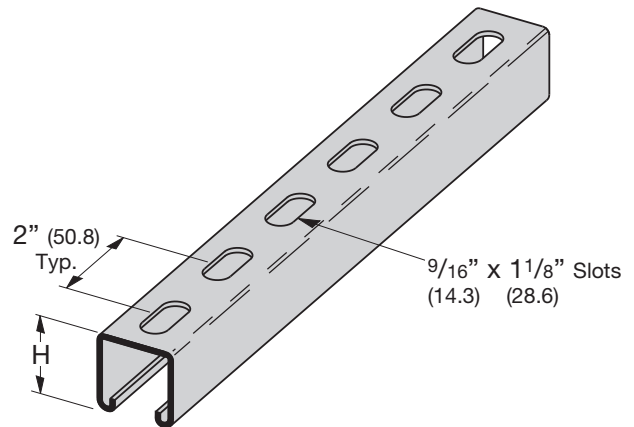
Carton	10
Package	500
Weight Per foot	0.781

Channel Hole Patterns

B11SH THRU B56SH SH TYPE CHANNEL

• For beam loads use 90% of Channel Loading Chart

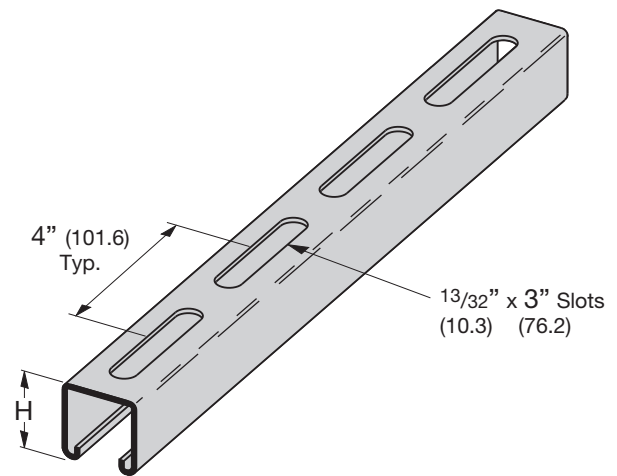
Part No.	Thickness		Height H		Weight	
	In.	mm	In.	mm	Lbs./Ft.	kg/m
B11SH	12 Ga.	(2.6)	3 ¹ / ₄ "	(82.5)	2.97	(4.42)
B12SH	12 Ga.	(2.6)	2 ⁷ / ₁₆ "	(61.9)	2.39	(3.55)
B22SH	12 Ga.	(2.6)	1 ⁵ / ₈ "	(41.3)	1.82	(2.71)
B24SH	14 Ga.	(1.9)	1 ⁵ / ₈ "	(41.3)	1.34	(1.99)
B26SH	16 Ga.	(1.5)	1 ⁵ / ₈ "	(41.3)	1.07	(1.59)
B32SH	12 Ga.	(2.6)	1 ³ / ₈ "	(34.9)	1.62	(2.41)
B42SH	12 Ga.	(2.6)	1"	(25.4)	1.36	(2.02)
B52SH	12 Ga.	(2.6)	1 ³ / ₁₆ "	(20.6)	1.19	(1.77)
B54SH	14 Ga.	(1.9)	1 ³ / ₁₆ "	(20.6)	.91	(1.35)
B56SH	16 Ga.	(1.5)	1 ³ / ₁₆ "	(20.6)	.80	(1.19)



B11S THRU B56S S TYPE CHANNEL

• For beam loads use 90% of Channel Loading Chart

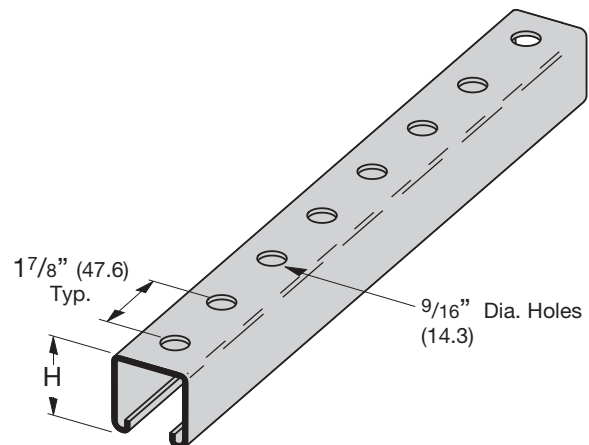
Part No.	Thickness		Height H		Weight	
	In.	mm	In.	mm	Lbs./Ft.	kg/m
B11S	12 Ga.	(2.6)	3 ¹ / ₄ "	(82.5)	2.94	(4.37)
B12S	12 Ga.	(2.6)	2 ⁷ / ₁₆ "	(61.9)	2.36	(3.51)
B22S	12 Ga.	(2.6)	1 ⁵ / ₈ "	(41.3)	1.79	(2.66)
B24S	14 Ga.	(1.9)	1 ⁵ / ₈ "	(41.3)	1.32	(1.96)
B26S	16 Ga.	(1.5)	1 ⁵ / ₈ "	(41.3)	1.06	(1.58)
B32S	12 Ga.	(2.6)	1 ³ / ₈ "	(34.9)	1.59	(2.36)
B42S	12 Ga.	(2.6)	1"	(25.4)	1.33	(1.98)
B52S	12 Ga.	(2.6)	1 ³ / ₁₆ "	(20.6)	1.16	(1.72)
B54S	14 Ga.	(1.9)	1 ³ / ₁₆ "	(20.6)	.89	(1.32)
B56S	16 Ga.	(1.5)	1 ³ / ₁₆ "	(20.6)	.79	(1.17)



B11H17/8 THRU B56H17/8 H17/8 TYPE CHANNEL

• For beam loads use 90% of Channel Loading Chart

Part No.	Thickness		Height H		Weight	
	In.	mm	In.	mm	Lbs./Ft.	kg/m
B11H17/8	12 Ga.	(2.6)	3 ¹ / ₄ "	(82.5)	3.00	(4.46)
B12H17/8	12 Ga.	(2.6)	2 ⁷ / ₁₆ "	(61.9)	2.42	(3.60)
B22H17/8	12 Ga.	(2.6)	1 ⁵ / ₈ "	(41.3)	1.85	(2.75)
B24H17/8	14 Ga.	(1.9)	1 ⁵ / ₈ "	(41.3)	1.36	(2.02)
B26H17/8	16 Ga.	(1.5)	1 ⁵ / ₈ "	(41.3)	1.09	(1.62)
B32H17/8	12 Ga.	(2.6)	1 ³ / ₈ "	(34.9)	1.65	(2.45)
B42H17/8	12 Ga.	(2.6)	1"	(25.4)	1.39	(2.07)
B52H17/8	12 Ga.	(2.6)	1 ³ / ₁₆ "	(20.6)	1.22	(1.81)
B54H17/8	14 Ga.	(1.9)	1 ³ / ₁₆ "	(20.6)	.93	(1.38)
B56H17/8	16 Ga.	(1.5)	1 ³ / ₁₆ "	(20.6)	.82	(1.22)



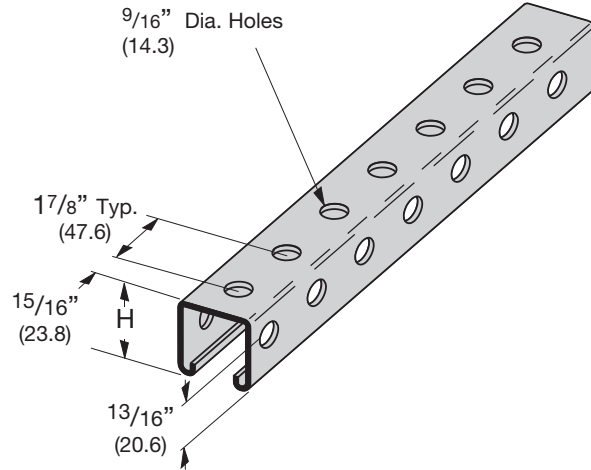
Reference page 14 for general fitting and standard finish specifications.

Channel Hole Patterns

B22TH (TH TYPE CHANNEL)

• For beam loads use 90% of Channel Loading Chart

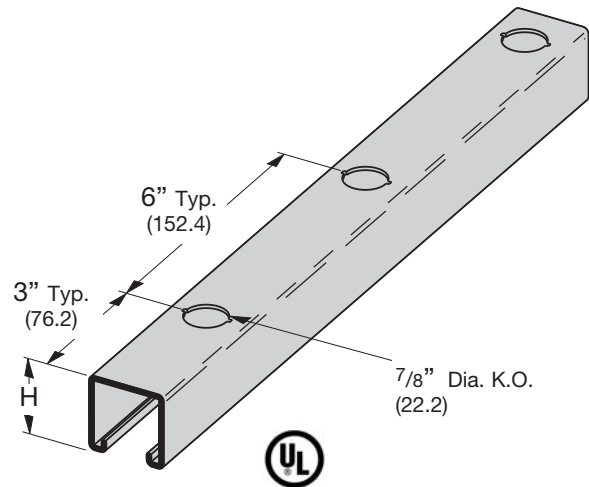
Part No.	Thickness		Height H		Weight	
	In.	mm	In.	mm	Lbs./Ft.	kg/m
B22TH	12 Ga.	(2.6)	1 ⁵ / ₈ "	(41.3)	1.76	(2.62)



B11KO6 THRU B56KO6 (KO6 TYPE KNOCKOUT CHANNEL)

• For beam loads use 90% of Channel Loading Chart

Part No.	Thickness		Height H		Weight	
	In.	mm	In.	mm	Lbs./Ft.	kg/m
B11KO6	12 Ga.	(2.6)	3 ¹ / ₄ "	(82.5)	3.05	(4.54)
B12KO6	12 Ga.	(2.6)	2 ⁷ / ₁₆ "	(61.9)	2.47	(3.67)
B22KO6	12 Ga.	(2.6)	1 ⁵ / ₈ "	(41.3)	1.90	(2.83)
B24KO6	14 Ga.	(1.9)	1 ⁵ / ₈ "	(41.3)	1.40	(2.08)
B26KO6	16 Ga.	(1.5)	1 ⁵ / ₈ "	(41.3)	1.12	(1.66)
B32KO6	12 Ga.	(2.6)	1 ³ / ₈ "	(34.9)	1.70	(2.53)
B42KO6	12 Ga.	(2.6)	1"	(25.4)	1.44	(2.14)
B52KO6	12 Ga.	(2.6)	1 ³ / ₁₆ "	(20.6)	1.27	(1.89)
B54KO6	14 Ga.	(1.9)	1 ³ / ₁₆ "	(20.6)	.97	(1.44)
B56KO6	16 Ga.	(1.5)	1 ³ / ₁₆ "	(20.6)	.85	(1.26)

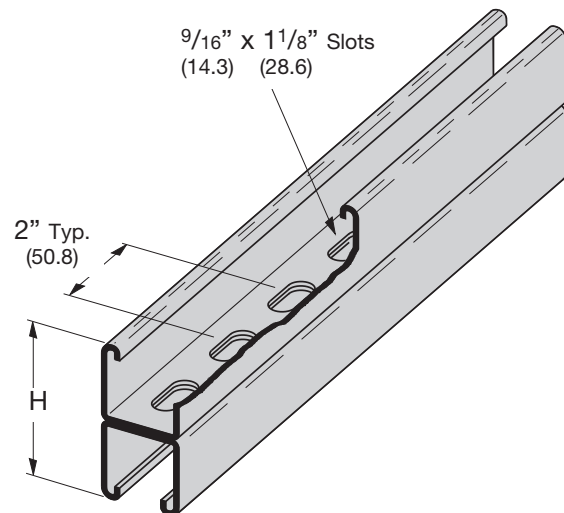


Channel & Combinations

B22SHA (BACK TO BACK SH TYPE CHANNEL)

• For beam loads use 90% of Channel Loading Chart

Part No.	Thickness		Height H		Weight	
	In.	mm	In.	mm	Lbs./Ft.	kg/m
B22SHA	12 Ga.	(2.6)	3 ¹ / ₄ "	(82.5)	3.64	(5.42)
B52SHA	12 Ga.	(2.6)	1 ⁵ / ₈ "	(41.3)	2.38	(1.77)
B54SHA	14 Ga.	(1.9)	1 ⁵ / ₈ "	(41.3)	1.82	(1.35)



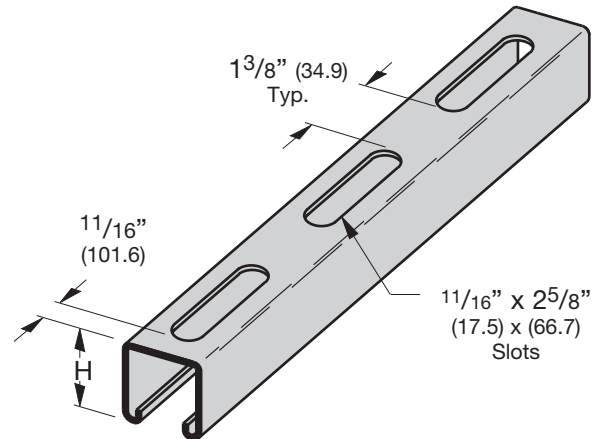
Reference page 14 for general fitting and standard finish specifications.

Channel Hole Patterns

B11S58 THRU B56S58 S58 TYPE CHANNEL

• For beam loads use 90% of Channel Loading Chart

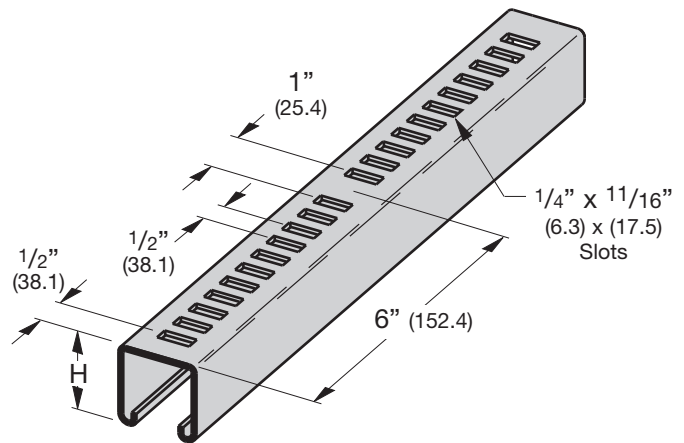
Part No.	Thickness		Height H		Weight	
	In.	mm	In.	mm	Lbs./Ft.	kg/m
B11S58	12 Ga.	(2.6)	3 1/4"	(82.5)	2.94	(4.37)
B12S58	12 Ga.	(2.6)	2 7/16"	(61.9)	2.36	(3.51)
B22S58	12 Ga.	(2.6)	1 5/8"	(41.3)	1.79	(2.66)
B24S58	14 Ga.	(1.9)	1 5/8"	(41.3)	1.32	(1.96)
B26S58	16 Ga.	(1.5)	1 5/8"	(41.3)	1.06	(1.58)
B32S58	12 Ga.	(2.6)	1 3/8"	(34.9)	1.59	(2.36)
B42S58	12 Ga.	(2.6)	1"	(25.4)	1.33	(1.98)
B52S58	12 Ga.	(2.6)	1 3/16"	(20.6)	1.16	(1.72)
B54S58	14 Ga.	(1.9)	1 3/16"	(20.6)	.89	(1.32)
B56S58	16 Ga.	(1.5)	1 3/16"	(20.6)	.79	(1.17)



B22M THRU B54M M (MARINE RUNG) TYPE CHANNEL

• For beam loads use 90% of Channel Loading Chart

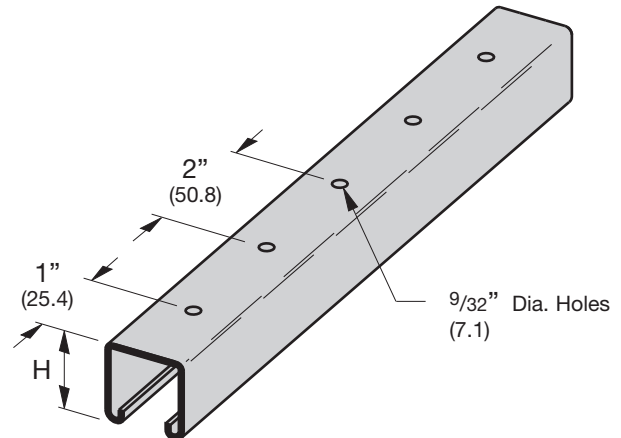
Part No.	Thickness		Height H		Weight	
	In.	mm	In.	mm	Lbs./Ft.	kg/m
B22M	12 Ga.	(2.6)	1 5/8"	(41.3)	1.79	(2.66)
B24M	14 Ga.	(1.9)	1 5/8"	(41.3)	1.32	(1.96)
B32M	12 Ga.	(2.6)	1 3/8"	(34.9)	1.59	(2.36)
B42M	12 Ga.	(2.6)	1"	(25.4)	1.33	(1.98)
B44M	14 Ga.	(1.9)	1"	(25.4)	0.98	(1.46)
B52M	12 Ga.	(2.6)	1 3/16"	(20.6)	1.16	(1.72)
B54M	14 Ga.	(1.9)	1 3/16"	(20.6)	.89	(1.32)



B22H25 THRU B56H25 H25 TYPE CHANNEL

• For beam loads use 90% of Channel Loading Chart

Part No.	Thickness		Height H		Weight	
	In.	mm	In.	mm	Lbs./Ft.	kg/m
B22H25	12 Ga.	(2.6)	1 5/8"	(41.3)	1.85	(2.75)
B24H25	14 Ga.	(1.9)	1 5/8"	(41.3)	1.36	(2.02)
B26H25	16 Ga.	(1.5)	1 5/8"	(41.3)	1.09	(1.62)
B32H25	12 Ga.	(2.6)	1 3/8"	(34.9)	1.65	(2.45)
B42H25	12 Ga.	(2.6)	1"	(25.4)	1.39	(2.07)
B52H25	12 Ga.	(2.6)	1 3/16"	(20.6)	1.22	(1.81)
B54H25	14 Ga.	(1.9)	1 3/16"	(20.6)	.93	(1.38)
B56H25	16 Ga.	(1.5)	1 3/16"	(20.6)	.82	(1.22)



Reference page 14 for general fitting and standard finish specifications.