



ELLIOTT ELECTRIC SUPPLY

We Deliver...Lower Cost, Quality Products, & Personal Service

3804 South Street
75964-7263, TX Nacogdoches
Phone: 936-569-7941
Fax: 936-560-4685



B91112 1/2" Kindorf Spring Nut

Thomas&Betts-Abb Ins Prod

Catalog Number	B91112
Manufacturer	Thomas&Betts-Abb Ins Prod
Description	
Weight per unit	0.1000 (lbs/each)
Product Category	Channel & Strut Fittings

Material, Color, and Finish

Finish	Galv-Krom/Standard
--------	--------------------

Dimensions and Weight

Size	1/2 INCH
------	----------

Descriptions

Description	1/2" KINDORF SPRING NUT
Product Type	CHNL Spring Nut 1/2-13IN STL
Special Features	Kindorf self aligning channel nuts are designed to provide resistance to pull out and resistance to side slip in excess of the full strength of the channels with which they are used.

Manufacturer Information

Brand	Kindorf
GTIN	00785991756067
Manufacturers Part Number	B 911 1/2
UPC	785991756067

Taxonomies, Classifications, and Categories

Category Description	SPRING NUTS & TWIRL NUTS
Type	Fittings & Hardware

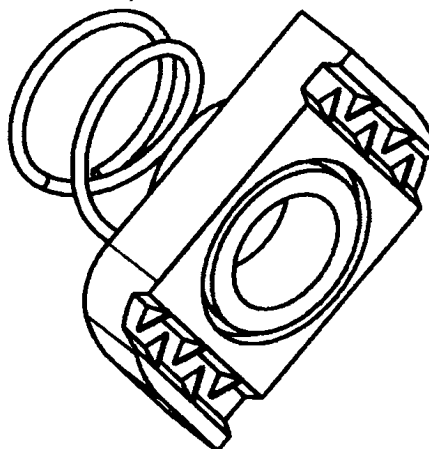
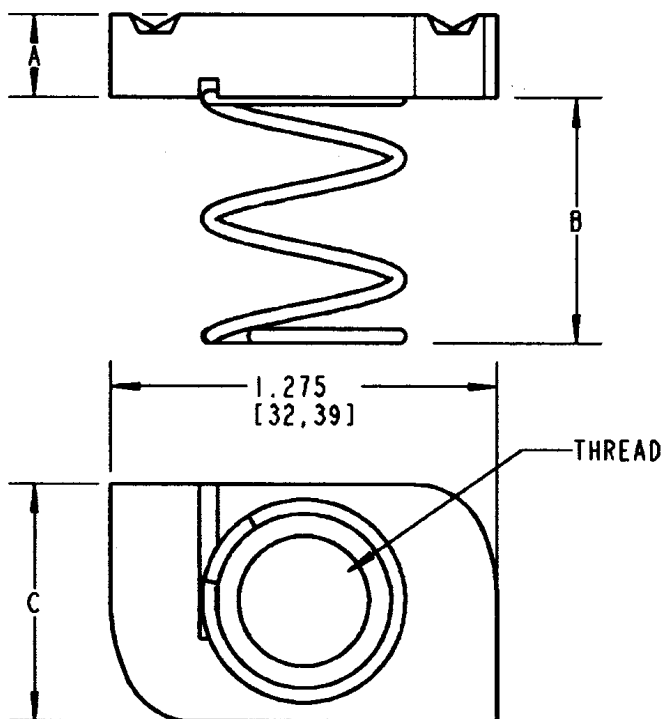
Packaging

Carton	100
Weight Per each	0.1

Uses, Certifications, and Standards

Application	For use with all Kindorf channels.
-------------	------------------------------------

Kindorf®



NOTES:

1. MATERIAL:
CHANNEL NUT: CARBON STEEL
SPRING: HARD DRAWN STEEL WIRE
2. ALL SPRINGS SHALL MECHANICALLY ATTACHED TO CHANNEL NUT
3. ALL SPRING NUTS SHALL BE GALV-KROM®

B 912 5/16	5/16" UNIVERSAL SPRING NUT	.358 (9.1)	.394 (10.0)	.785 (19.9)	5/16"-16 UNC	GALV-KROM
B 911 5/16	5/16" UNIVERSAL SPRING NUT	.358 (9.1)	1.535 (39.0)	.785 (19.9)	5/16"-16 UNC	GALV-KROM
B 912 1/2	1/2" UNIVERSAL SPRING NUT	.358 (9.1)	.394 (10.0)	.785 (19.9)	1/2"-13 UNC	GALV-KROM
B 911 1/2	1/2" UNIVERSAL SPRING NUT	.358 (9.1)	1.535 (39.0)	.785 (19.9)	1/2"-13 UNC	GALV-KROM
B 912 3/8	3/8" UNIVERSAL SPRING NUT	.358 (9.1)	.394 (10.0)	.785 (19.9)	3/8"-16 UNC	GALV-KROM
B 911 3/8	3/8" UNIVERSAL SPRING NUT	.358 (9.1)	1.535 (39.0)	.785 (19.9)	3/8"-16 UNC	GALV-KROM
B 912 1/4	1/4" UNIVERSAL SPRING NUT	.238 (6.1)	.787 (20.0)	.785 (19.9)	1/4"-20 UNC	GALV-KROM
B 911 1/4	1/4" UNIVERSAL SPRING NUT	.238 (6.1)	1.535 (39.0)	.785 (19.9)	1/4"-20 UNC	GALV-KROM
CAT #	DESCRIPTION	DIM "A"	DIM "B"	DIM "C"	THREAD	FINISH

GENERAL NOTES

1. ALL DIMENSIONS ARE FOR REFERENCE ONLY.
2. DIMENSIONS IN BRACKETS [] ARE IN METRIC UNITS.

REVISIONS

SEE ERN (****) FOR APPROVAL SIGNATURES & RELEASE DATE.
PROJECT NO: ****

Thomas & Betts
www.fnb.com

DESCRIPTION:

UNIVERSAL SPRING NUT

ORIGINAL PROJECT NO / (ERN NO)

005D00084 / (2013203)

SHEET NO:

1 OF 1

REV. NO:

-

DRAWING NO:

WSD-001060