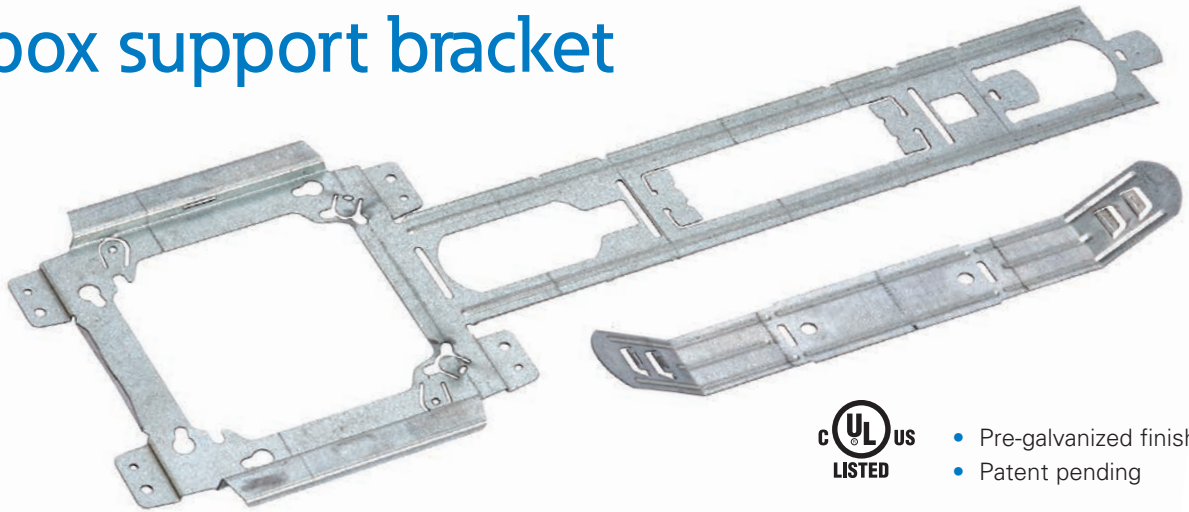


BB70 & BB70E box support bracket



- Pre-galvanized finish
- Patent pending

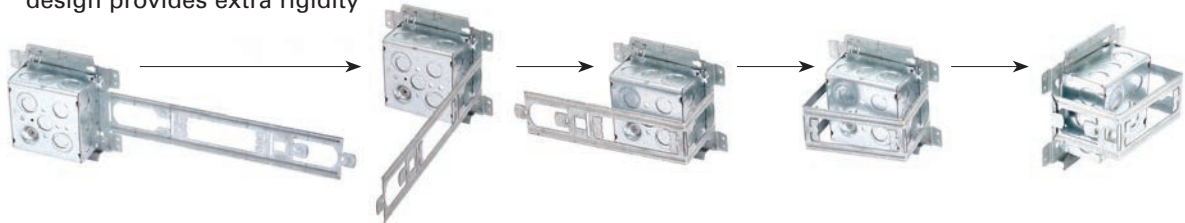
BB70 & BB70E

UPC Part #	Catalog #	Description	Metal Stud Size	Box Qty.
79903856399	BB70	Box support bracket	2 1/2" - 4"	50
79903856400	BB70E*	Bracket extender	5 1/2" - 6"	50

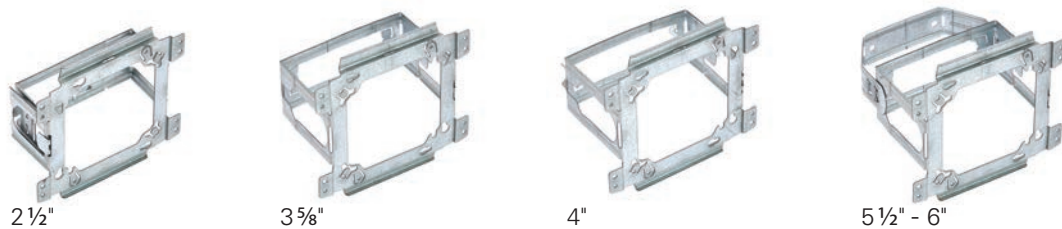
* Sold separately

Features & Benefits

- 1** Interlocking wrap-around design provides extra rigidity



- 2** Adjustable for varying stud depths from 2 1/2" to 6"



Powering Business Worldwide

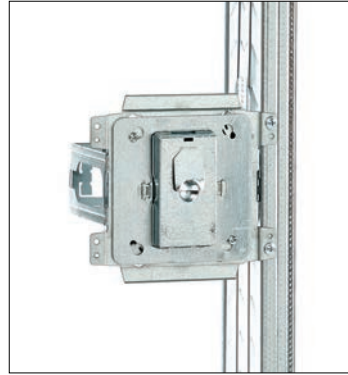
Additional Features & Benefits

- 3** Supports most U.S. and Canadian, standard 1-gang and 2-gang boxes and/or plaster rings on either side of the stud



- 4" Sq.
- 4 1/16" Sq.
- 5" Sq.

- 4** Compatible with 1-gang and 2-gang Rapid Ring™ self-adjusting pre-fab ring and adjustable plaster ring



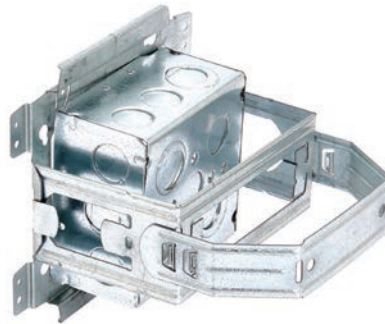
- 5** Integral mounting tabs to attach plaster ring



- 6** Multiple brackets can be ganged together



- 7** Available factory assembled as part of the Ruff-IN™ pre-fab line with box, mud ring, and prewired devices



Assembled BB70 & BB70E

Eaton
1000 Eaton Boulevard
Cleveland, OH 44122
United States
Eaton.com

© 2015 Eaton
All Rights Reserved
Printed in USA
Publication No. SA306008EN
December 2015 BB70

B-Line Division
509 West Monroe Street
Highland, IL 62249
United States
Phone: 800-851-7415
www.cooperline.com/BB70

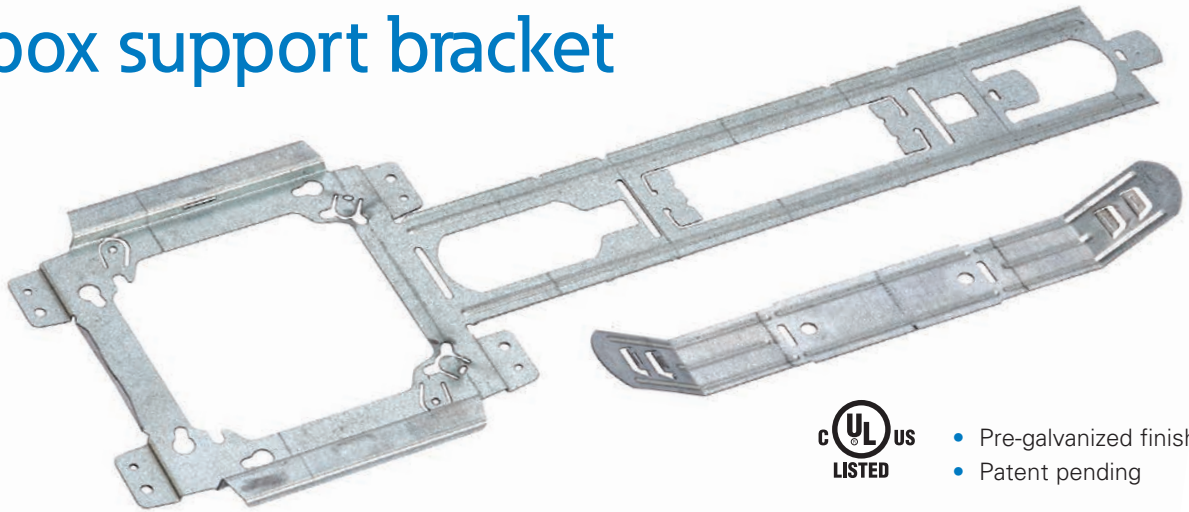
Eaton is a registered trademark.

All other trademarks are property of their respective owners.

Follow us on social media to get the latest product and support information.



BB70 & BB70E box support bracket



- Pre-galvanized finish
- Patent pending

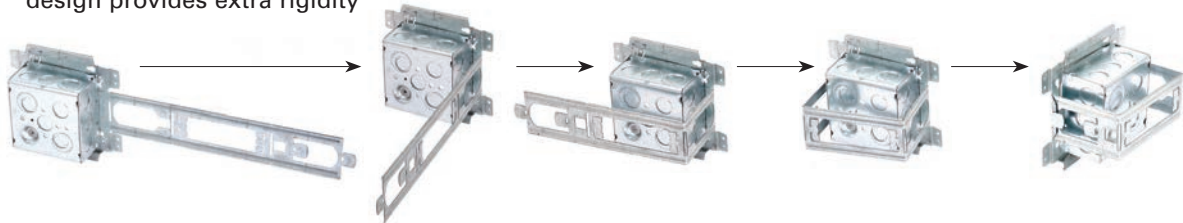
BB70 & BB70E

UPC Part #	Catalog #	Description	Metal Stud Size	Box Qty.
79903856399	BB70	Box support bracket	2 1/2" - 4"	50
79903856400	BB70E*	Bracket extender	5 1/2" - 6"	50

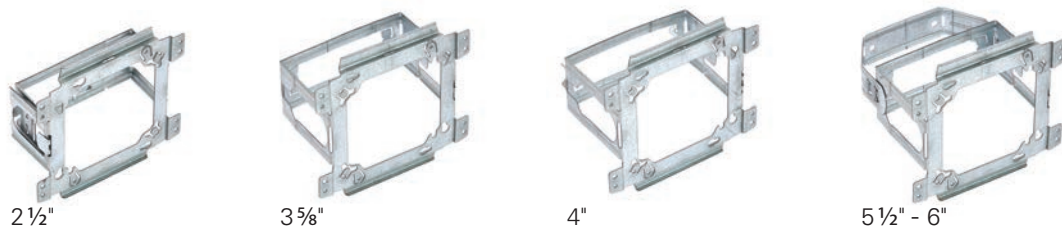
* Sold separately

Features & Benefits

- 1** Interlocking wrap-around design provides extra rigidity



- 2** Adjustable for varying stud depths from 2 1/2" to 6"



Powering Business Worldwide

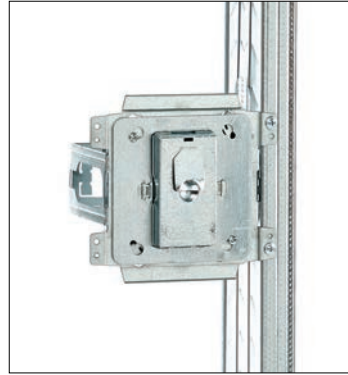
Additional Features & Benefits

- 3** Supports most U.S. and Canadian, standard 1-gang and 2-gang boxes and/or plaster rings on either side of the stud

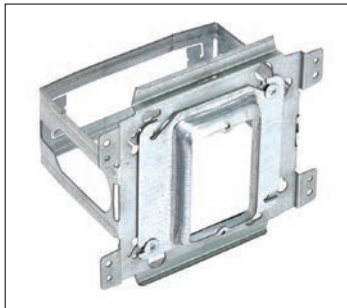


- 4" Sq.
- 4 1/16" Sq.
- 5" Sq.

- 4** Compatible with 1-gang and 2-gang Rapid Ring™ self-adjusting pre-fab ring and adjustable plaster ring



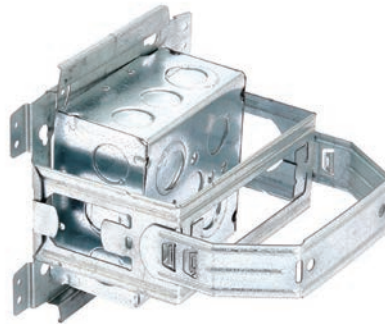
- 5** Integral mounting tabs to attach plaster ring



- 6** Multiple brackets can be ganged together



- 7** Available factory assembled as part of the Ruff-IN™ pre-fab line with box, mud ring, and prewired devices



Assembled BB70 & BB70E

Eaton
1000 Eaton Boulevard
Cleveland, OH 44122
United States
Eaton.com

© 2015 Eaton
All Rights Reserved
Printed in USA
Publication No. SA306008EN
December 2015 BB70

B-Line Division
509 West Monroe Street
Highland, IL 62249
United States
Phone: 800-851-7415
www.cooperline.com/BB70

Eaton is a registered trademark.

All other trademarks are property of their respective owners.

Follow us on social media to get the latest product and support information.

