



The versatile, low-cost, low-profile wall pack. BRISK™ - efficient and affordable LED light.

Color: Bronze

Weight: 2.0 lbs

Project:

Type:

Prepared By:

Date:

#### Driver Info

|             |                  |
|-------------|------------------|
| Type        | Constant Current |
| 120V        | 0.11A            |
| 208V        | 0.07A            |
| 240V        | 0.06A            |
| 277V        | 0.06A            |
| Input Watts | 13W              |

#### LED Info

|                |              |
|----------------|--------------|
| Watts          | 14W          |
| Color Temp     | 5000K (Cool) |
| Color Accuracy | 74 CRI       |
| L70 Lifespan   | 60,000 Hours |
| Lumens         | 1,919        |
| Efficacy       | 147.6 lm/W   |

## Technical Specifications

### Compliance

#### UL Listed:

Suitable for wet locations

#### IESNA LM-79 & LM-80 Testing:

RAB LED luminaires and LED components have been tested by an independent laboratory in accordance with IESNA LM-79 and LM-80.

#### DLC Listed:

This product is on the Design Lights Consortium (DLC) Qualified Products List and is eligible for rebates from DLC Member Utilities.

DLC Product Code: PIKC3N2S

### Performance

#### Lifespan:

60,000-Hour LED lifespan based on IES LM-80 results and TM-21 calculations

### LED Characteristics

#### LEDs:

Long-life, high-efficacy, surface-mount LEDs

### Color Uniformity:

RAB's range of Correlated Color Temperature follows the guidelines of the American National Standard for Specifications for the Chromaticity of Solid State Lighting (SSL) Products, ANSI C78.377-2017.

### Electrical

#### Driver:

Constant Current, Class 2, 50/60Hz, 120V: 0.11A, 208V: 0.07A, 240V: 0.06A, 277V: 0.06A

#### THD:

8.99% at 120V, 8.79% at 277V

#### Power Factor:

98.5% at 120V, 90.7% at 277V

#### Surge Protection:

2.5kV

### Construction

#### IP Rating:

Ingress protection rating of IP66 for dust and water

#### Maximum Ambient Temperature:

Suitable for use in up to 40°C (104°F)

#### Cold Weather Starting:

The minimum starting temperature is -30°C (-22°F)

#### Housing:

Precision die-cast aluminum

## Technical Specifications (continued)

### Construction

#### Reflector:

Specular

#### Lens:

Diffused acrylic

#### Mounting:

Heavy duty, die-cast junction box with four (4) conduit entries (one top, two side, one back)

#### Gaskets:

Silicone foam

#### Finish:

Formulated for high durability and long-lasting color

#### Green Technology:

Mercury and UV free. RoHS-compliant components.

### Optical

#### BUG Rating:

B0 U3 G2

#### Other

#### Equivalency:

Equivalent to 70W Metal Halide/50W HPS

#### 5 Yr Limited Warranty:

The RAB 5-year, limited warranty covers light output, driver performance and paint finish. RAB's warranty is subject to all terms and conditions found at [rablighting.com/warranty](http://rablighting.com/warranty).

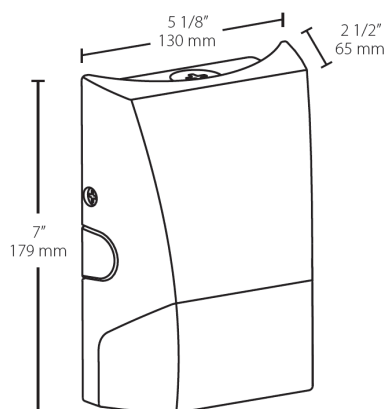
#### Replacement:

Replaces 100A/IF incandescent Inside Frost, 100W T5 Halogen incandescent or 26W CFL

#### Buy American Act Compliance:

RAB values USA manufacturing! Upon request, RAB may be able to manufacture this product to be compliant with the Buy American Act (BAA). Please contact customer service to request a quote for the product to be made BAA compliant.

## Dimensions



## Features

- Economical
- Traditional non-cutoff design
- 60,000-hour LED lifespan
- 5-Year, Limited Warranty

## Ordering Matrix

| Family | Lumen Package/Wattage   | CCT/CRI  | Finish                      | Options  |
|--------|---|--|-----------------------------|--|
| BRISK  | S17L  |  |                             |  |
|        | S11L = 1100 lumens / 9W<br>S17L = 1700 lumens / 14W<br>M32L = 3200 lumens / 22W<br>M48L = 4800 lumens / 35W | Blank = 5000K Cool / 70 CRI<br>740 = 4000K Neutral / 70 CRI<br>730 = 3000K Warm / 70 CRI | Blank = Bronze<br>W = White | Blank = No Option<br>/PCU = 120-277V Photocell |