



Die cast round covers with one or three 1/2" holes. Fit 4" round boxes. Supplied with thick foam rubber gasket and two #10-24 stainless steel screws. 3 hole cover comes with one die cast 1/2" close-up plug.

Color: Bronze

Weight: 0.2 lbs

<b>Project:</b>	<b>Type:</b>
<b>Prepared By:</b>	<b>Date:</b>

## Technical Specifications

### Listings

#### UL Listing:

Suitable for wet locations

### Construction

#### Covers:

Precision die cast aluminum round covers

#### Screws:

10-24 Brass Round Head Phillips/slotted

#### Gasket:

1/8" thick closed cell silicone rubber for long lasting seal won't crumple or break

#### Hole Count:

1 Hole

#### Other

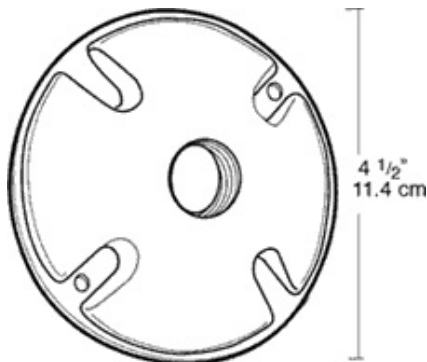
#### Replacement Plugs:

Available for round and rectangular covers and boxes

#### Buy American Act Compliance:

RAB values USA manufacturing! Upon request, RAB may be able to manufacture this product to be compliant with the Buy American Act (BAA). Please contact customer service to request a quote for the product to be made BAA compliant.

## Dimensions



## Features

1/8" thick weatherseal gasket is closed cell silicone rubber for long lasting seal that won't break

Stainless steel screws provided

Die cast aluminum covers are color matched

Close-up plugs allow Phillips or slotted screwdrivers for easy installation