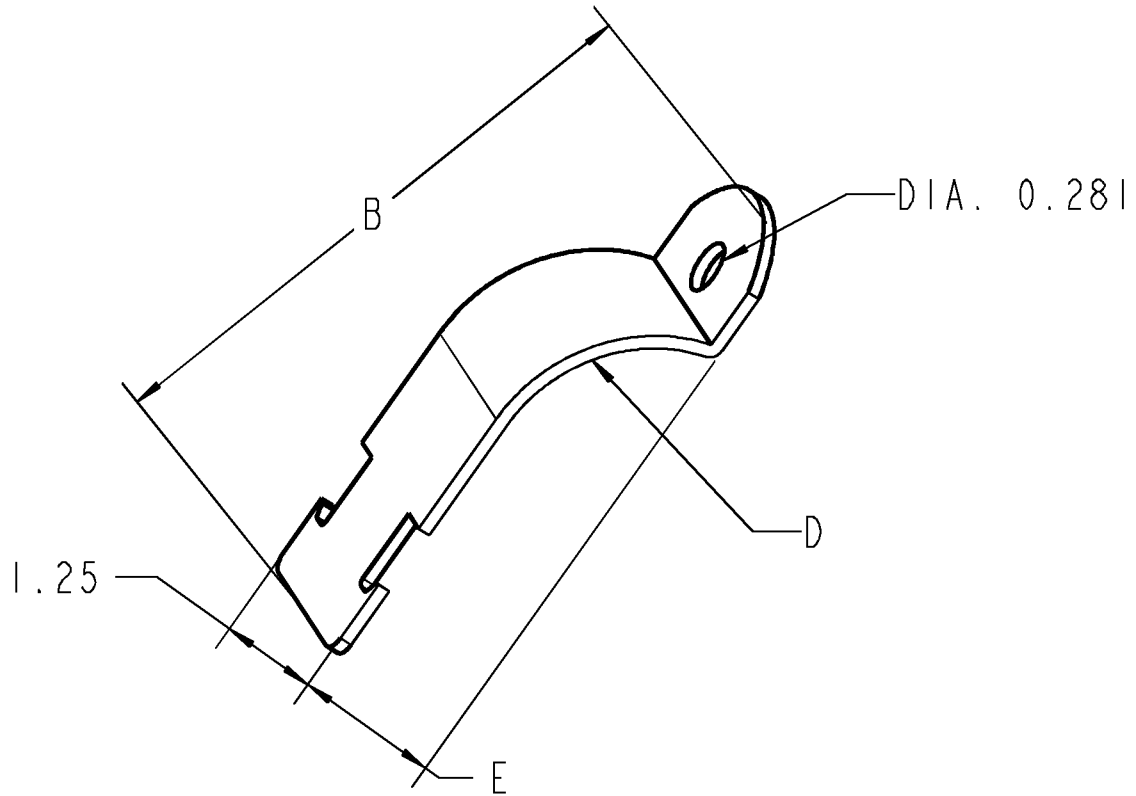



Superstrut



NOTES:

1. MATERIAL : 14 GA. (.071) H.R. LOW CARBON STEEL.
2. MATERIAL : 14 GA. (.071) TYPE 304 STAINLESS STEEL.
3. MATERIAL : 14 GA. (.071) ALUMINUM.
4. FINISH : ELECTRO DEPOSITED ZINC BASE WITH YELLOW TRIVALENT CHROMIUM OUTER BARRIER.
5. FINISH : ELECTRO DEPOSITED ZINC .
6. FINISH : POLYVINYLCHLORIDE (PVC).
7. MATERIAL : 14 GA (.071) TYPE 316 STAINLESS STEEL.

GENERAL NOTES		 A Member of the ABB Group			
1. ALL DIMENSIONS ARE FOR REFERENCE ONLY. 2. DIMENSIONS IN BRACKETS [] ARE IN METRIC UNITS.					
REVISIONS		DESCRIPTION: KINDORF C105 AND SUPERSTRUT 702 SERIES PIPE STRAPS			
- SEE ERN (****) FOR APPROVAL SIGNATURES & RELEASE DATE. PROJECT NO: ****		ORIGINAL PROJECT NO / (ERN NO) XM400032 / (2015693)	SHEET NO: 1 OF 2	REV. NO: -	DRAWING NO: WSD-001309

I 1/4" RIGID/STD STRAP	3.015	.830	.776	NOTE 7	-	C 105 I 1/4SS316	702 I 1/4SS316
1" RIGID/STD STRAP	2.666	.658	.604	NOTE 7	-	C 105 ISS316	702 ISS316
3/4" RIGID/STD STRAP	2.394	.525	.471	NOTE 7	-	C 105 3/4SS316	702 3/4 SS316
I 1/2" RIGID STRAP	3.111	.875	.821	NOTE 2	-	C 105 I 1/2SS	702 I 1/2SS
I 1/4" RIGID/STD STRAP	3.015	.830	.776	NOTE 1	NOTE 6	C 105 I 1/4PVC	702 I 1/4PVC
1" RIGID/STD STRAP	2.666	.658	.604	NOTE 1	NOTE 6	C 105 IPVC	702 IPVC
I 1/4" RIGID/STD STRAP	3.015	.830	.776	NOTE 3	-	C 105 I 1/4AL	702 I 1/4AL
1" RIGID/STD STRAP	2.666	.658	.604	NOTE 3	-	C 105 IAL	702 IAL
3/4" RIGID/STD STRAP	2.394	.525	.471	NOTE 3	-	C 105 3/4AL	702 3/4AL
1/2" RIGID/STD STRAP	2.199	.420	.366	NOTE 3	-	C 105 1/2AL	702 1/2AL
3/8" RIGID/STD STRAP	2.003	.338	.284	NOTE 3	-	C 105 3/8AL	702 3/8AL
I 1/4" RIGID/STD STRAP	3.015	.830	.776	NOTE 2	-	C 105 I 1/4SS	702 I 1/4SS
1" RIGID/STD STRAP	2.666	.658	.604	NOTE 2	-	C 105 ISS	702 ISS
3/4" RIGID/STD STRAP	2.394	.525	.471	NOTE 2	-	C 105 3/4SS	702 3/4SS
1/2" RIGID/STD STRAP	2.199	.420	.366	NOTE 2	-	C 105 1/2SS	702 1/2SS
3/8" RIGID/STD STRAP	2.003	.338	.284	NOTE 2	-	C 105 3/8SS	702 3/8SS
I 1/4" RIGID/STD STRAP	3.015	.830	.776	NOTE 1	NOTE 5	C 105 I 1/4EG	702 I 1/4EG
1" RIGID/STD STRAP	2.666	.658	.604	NOTE 1	NOTE 5	C 105 IEG	702 IEG
3/4" RIGID/STD STRAP	2.394	.525	.471	NOTE 1	NOTE 5	C 105 3/4EG	702 3/4EG
1/2" RIGID/STD STRAP	2.199	.420	.366	NOTE 1	NOTE 5	C 105 1/2EG	702 1/2EG
3/8" RIGID/STD STRAP	2.003	.338	.284	NOTE 1	NOTE 5	C 105 3/8EG	702 3/8EG
I 1/4" RIGID/STD STRAP	3.015	.830	.776	NOTE 1	NOTE 4	C 105 I 1/4	702 I 1/4
1" RIGID/STD STRAP	2.666	.658	.604	NOTE 1	NOTE 4	C 105 I	702 I
3/4" RIGID/STD STRAP	2.394	.525	.471	NOTE 1	NOTE 4	C 105 3/4	702 3/4
1/2" RIGID/STD STRAP	2.199	.420	.366	NOTE 1	NOTE 4	C 105 1/2	702 1/2
3/8" RIGID/STD STRAP	2.003	.338	.284	NOTE 1	NOTE 4	C 105 3/8	702 3/8
A DESCRIPTION	B	D RADIUS	E	F MATERIAL	G FINISH	CAT NO KINDORF	CAT NO SUPERSTRUT

Thomas & Betts			
A Member of the ABB Group			
www.tnb.com			
DESCRIPTION: KINDORF C105 AND SUPERSTRUT 702 SERIES PIPE STRAPS			
	SHEET NO: 2 OF 2	REV. NO: -	DRAWING NO: WSD-001309