

10L ELG Gauge Luminaires

Cl. I, Div. 1 & 2, Groups C, D
 Cl. I, Zone 1 & 2, IIB
 Explosionproof

Applications:

ELG Gauge Lights are used:

- In hazardous areas to illuminate liquid level gauges over entire length of gauge
- Clamped to **rear** of liquid level gauge and conduit is attached to the ELG hubs; light is reflected by Lucite reflector along the entire length of the gauge; liquid level shows on front of gauge; all light is concentrated on liquid column – no spill light

Features:

- Even illumination over entire length of gauge
- Variety of sizes to fit many gauges
- Several lights can be used in tandem to illuminate long gauge

Certifications and Compliances:

- NEC/CEC:
 Class I, Division 1 and 2, Groups C, D

Standard Materials:

- Body – copper-free aluminum
- Reflectors – plexiglass

Standard Finishes:

- Body – electrogalvanized and aluminum acrylic paint

Size Ranges:

- 1" conduit through-feed

Capacity Ranges:

- 120V medium screw base "A19" style incandescent lamp 58W maximum
- 25 watt – medium base – 1000 hour life
- 52 watt – medium base – 2500 hour life
- 58 watt – medium base – 3000 hour life

Temperature Performance Data:

Based on 40°C ambient
 58 Watt – T4A Maximum

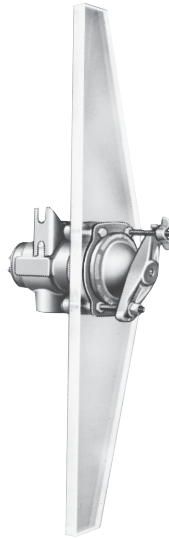
Options:

Description Description Suffix
 Group B suitability GB

Suggested Lamps:

Lamps not furnished

Manufacturer	Cat. #			Volts
	25 Watt	52 Watt	58 Watt	
General Electric	25A	60A/52WMP/98	58	120
Osram/Sylvania	25A	60A/52/SS/XL	58A19/62	120
Philips	25A	60A-52A/99/EW		120

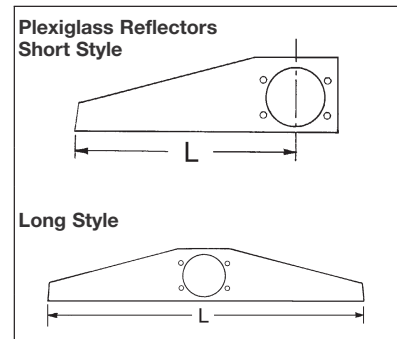


ELG329 with LE49 reflector

Ordering Information:

Description	Length (L) (inches)	Cat. #
Gauge Light (less reflector)	—	ELG329
Short	4½	LE34
– Style Reflector	5½	LE35
Long	13	LE46
– Style Reflector	15	LE47
	17	LE48
	19¾	LE49
	22	LE410
	25¼	LE412
	26¾	LE413

Dimensions:



10L